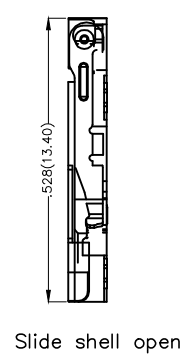
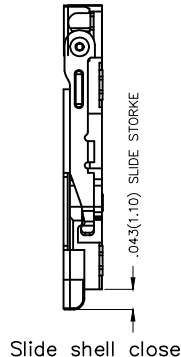
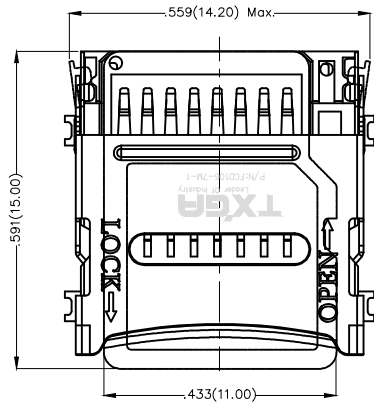


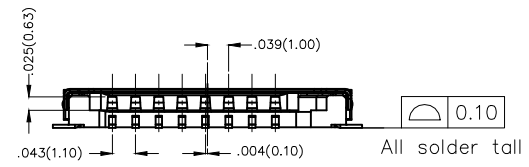
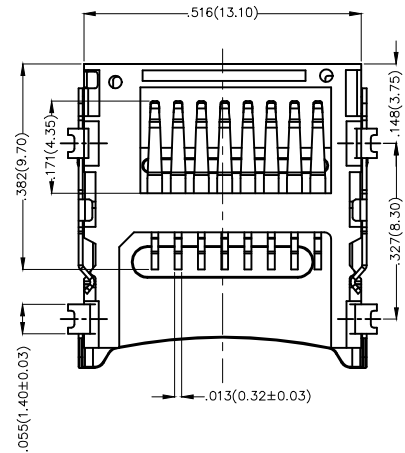
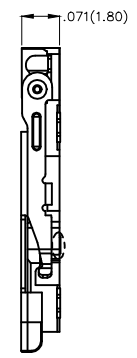
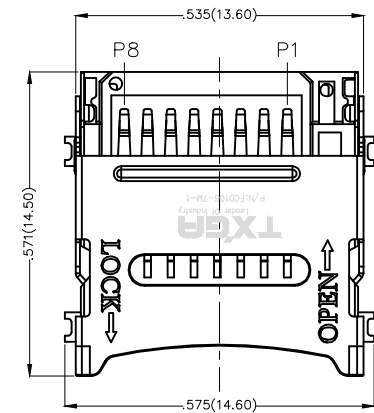
1 2 3 4 5 6 7 8

REV	LOCATIONS	DESCRIPTION	DATE	REVISER	APPD



Electrical
 Current Rating:0.5A AC(rms)/DC
 Voltage Rating:100V AC(rms)/DC
 Contact Resistance:100 mΩ Max
 Insulation Resistance:1000 MΩ MIN
 Withstanding Voltage:500V AC r.m.s
 Temperature Range—Operating:−20°C~+80°C

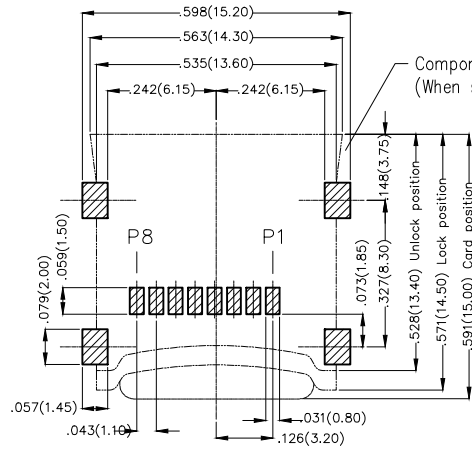
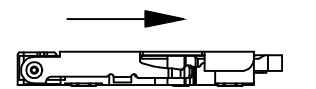
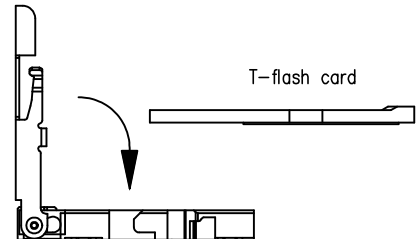
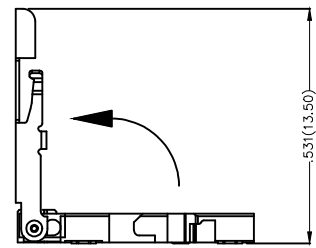
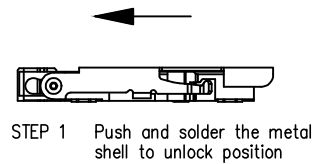
Material and Plating
 Housing:High Temperature Plastic(UL 94V-0)
 Contact Pin:Phosphor Bronze
 Plating:Selective gold in contact area,Tin on tail.
 Durability:10,000 Times



 THIRD ANGLE PROJECTION DESIGN UNITS Inch (metric) SCALE 5:1 SIZE A4	GENERAL TOLERANCES (UNLESS SPECIFIED)		APPROVE BY FRANK	DATE 28/JUN/13	PART NO. FCD106-7M-1	ITEM NO. FCD106-1	 Leader Of Industry	
	X.±.012(0.30)	X.'±5'	CHECKED BY JACOB	DATE 28/JUN/13	TITLE Mirco SD card connector(H:1.8mm)			REV 0
	X.XX±.008(0.20)	.X'±2'	DRAWN BY CHERRY	DATE 28/JUN/13	THIS DRAWING CONTAINS INFORMATION THAT IS PROPRIETARY TO TXGA INDUSTRIAL ELECTRONICS(S.Z)CO.,LTD AND SHOULD NOT BE USED WITHOUT WRITTEN PERMISSION			
	X.XX±.006(0.15)	.XX±1'						

1 2 3 4 5 6 7 8

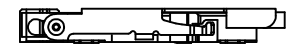
REV	LOCATIONS	DESCRIPTION	DATE	REVISER	APPD



Recommended P.C.Board Layout

Memory card pin assignment

PIN NO.	NAME	TYPE	DESCRIPTION
P1	DAT 2	I/O/PP	Date line (bit2)
P2	CD/DAT3	I/O/PP	Card detect/Date line (bit3)
P3	CMD	PP	Command Response
P4	VDD	S	Supply voltage
P5	CLK	I	Colck
P6	VSS	S	Supply voltage ground
P7	DAT0	I/O/PP	Date line (bit0)
P8	DAT1	I/O/PP	Date line (bit1)



<p>THIRD ANGLE PROJECTION</p>	GENERAL TOLERANCES (UNLESS SPECIFIED)		APPROVE BY	DATE	PART NO.	ITEM NO.	<p>Leader Of Industry</p>	
	X.±.012(0.30)	X.±5'	FRANK	28/JUN/13	FCD106-7M-1	FCD106-1		
	DESIGN UNITS Inch (metric)	X.X±.008(0.20)	X.±2'	CHECKED BY	DATE	TITLE		REV 0 SHEET NO. 2/2
	SCALE	X.XX±.006(0.15)	.XX±1'	JACOB	28/JUN/13	Mirco SD card connector(H:1.8mm)		
SIZE	X.XXX±.004(0.10)	.XXX±0.5'	DRAWN BY	DATE	THIS DRAWING CONTAINS INFORMATION THAT IS PROPRIETARY TO TXGA INDUSTRIAL ELECTRONICS(S.Z)CO.,LTD AND SHOULD NOT BE USED WITHOUT WRITTEN PERMISSION			
5:1			CHERRY	28/JUN/13				