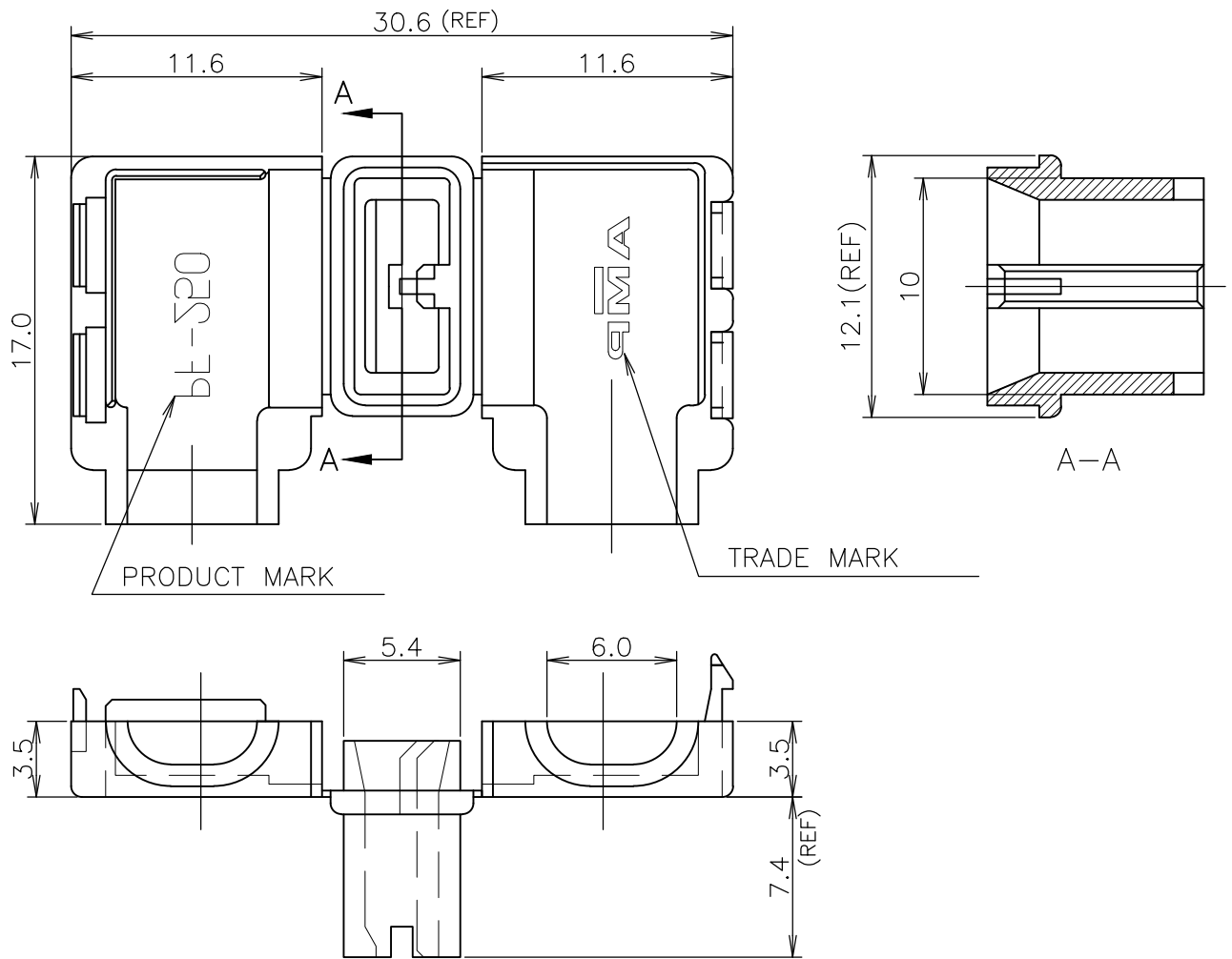


LOC J	DIST /	REVISIONS			DATE	DWN	APVD
P	LTR	DESCRIPTION			05JUNE19	DT	TD
	H4	REVISED PER ECO-19-003457					



1 APPLICABLE CONTACT P/N: 175057-1

△ OBSOLETE PARTS: OBSOLETE CIS STERAMLINING PER D.RENAUD/D.SINSI

GWT,94V-0	(NATURAL)	7-176497-1
94V-0	(BLACK)	1-176497-9
94V-0	(RED)	1-176497-7
94V-0	(BLUE)	1-176497-6
94V-0	(YELLOW)	1-176497-4
94V-0	(NATURAL)	1-176497-1
94V-2	(BLACK)	176497-9
94V-2	(NATURAL)	176497-1
UL GRADE	(COLOR)	(P/N)

GENERAL TOLERANCE	
10 ≥	±0.2
30 ≥ > 10:	±0.25
100 ≥ > 30:	±0.3
ANGLES: ±3°	

RELEASED FOR PUBLICATION

ALL RIGHTS RESERVED.

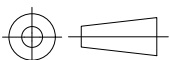
By -

© COPYRIGHT

DIMENSIONS:
mm

TOLERANCES UNLESS OTHERWISE SPECIFIED:

0 PLC	± -
1 PLC	± -
2 PLC	± -
3 PLC	± -
4 PLC	± -
ANGLES	± -



DWN	Y.FUJITA	10NOV1989
CHK	Y.FUJITA	10NOV1989
APVD	N.ONOUE	11NOV1989
PRODUCT SPEC		
APPLICATION SPEC		
WEIGHT		

WIRE RANGE	INSULATION DIA
	2.8~4.2 mm ϕ

MATERIAL	6/6 NYLON(SEE TABLE)	FINISH 仕上
----------	----------------------	--------------



TE Connectivity

NAME			
ONE TOUCH SLEEVE			
250 SERIES FLAG POSITIVE LOCK-EX			

SIZE	CAGE CODE	DRAWING NO	RESTRICTED TO
A4	00779	C-176497	

CUSTOMER DRAWING	SCALE	NTS	SHEET	1 OF 1	REV	H4
------------------	-------	-----	-------	--------	-----	----