

| REV | LOCATIONS | DESCRIPTION | DATE | REVISER | APPD |
|-----|-----------|--|-----------|---------|------|
| 1 | △ | 1. Dimension: Change 15.70 into 15.90mm 2. Add the "TXGA" logo 3. Part No.: Change FRJ4534 into FRJ45034 | 01/JUN/18 | Vandy | Eric |

SPECIFICATIONS

Electrical Performances

Current Rating: 1.5A AC(rms)/DC
Voltage Rating: 125V AC(rms)/DC
Contact Resistance: 30 mΩ Max
Insulation Resistance: 500 MΩ MIN
Withstanding Voltage: 1000V AC r.m.s

Material and Plating

Housing: PBT (UL 94V-0)
Contact: Phosphor Bronze/ Gold Plated
Shell: Copper Alloy/ Nickel Plated

Mechanical Performances

Mating/Unmating Force: 30N Max
Retention Strength: 50N For 60s±5s
Durability: 750 Cycles Min.

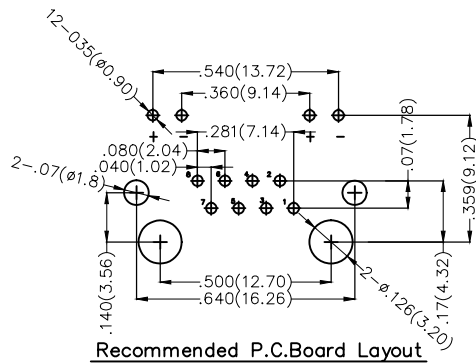
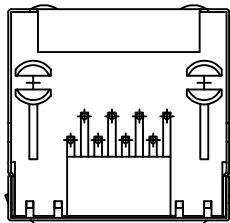
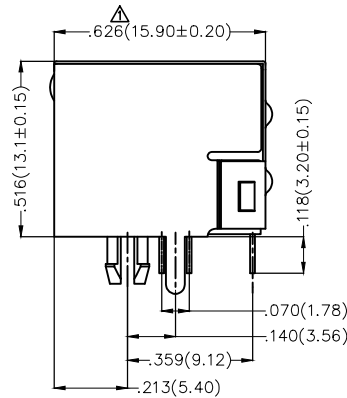
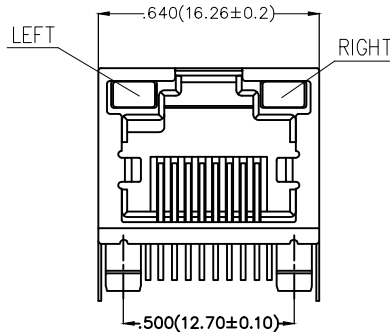
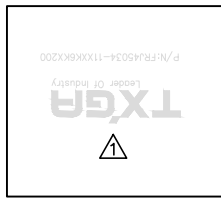
Environmental Characteristics

Temperature Range-Operating: -40°C~+85°C

Ordering Information

FRJ45 034 - 1 1 XX K6 K X 2 0 0
1 2 3 4 5 6 7 8 9

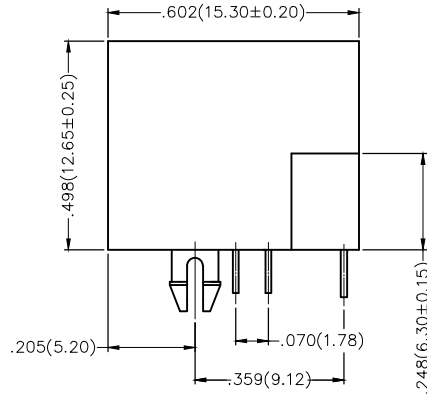
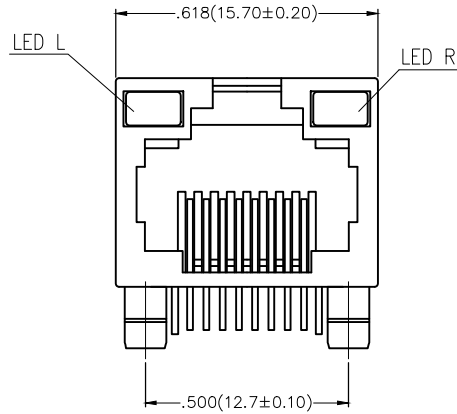
| | | | | |
|------------------------------------|--------------------------|---|-------------------------------|---|
| 1 Category FRJ45-RJ45 Connector | 2 Distinction No. 034 | 3 Ports options 1-1 Port | 4 Plating 1-Gold Plated | 5 Thickness of plating 00-Gold flash 03-3μ" Custom plate available |
| 6 Color-Resin K6-Black | 7 Packaging K-Tray | 8 LED style 1-L: Yellow R: Green 2-L: Green R: Yellow | 9 Contact type 2-Round pin | |



Recommended P.C.Board Layout

| | | | | | | | |
|------------------------|---------------------------------------|--|----------------------|------------------|--|----------------------|--|
| THIRD ANGLE PROJECTION | GENERAL TOLERANCES (UNLESS SPECIFIED) | | APPROVE BY FRANK | DATE 1/AUG/13 | PART NO. △ FRJ45034-11XXK6KX200 | ITEM NO. FRJ45034 | |
| | DESIGN UNITS Inch (metric) | X.±.012(0.30) X.±5' X.XX±.0010(0.25) .X'±2' X.XX±.008(0.20) .XX'±1' X.XXX±.006(0.15) .XXX'±0.5' | CHECKED BY CHERRY | DATE 1/AUG/13 | TITLE RJ45 Connector 8P8C 90° Angle | | |
| SCALE 5:1 | SIZE A4 | | DRAWN BY JACOB | DATE 1/AUG/13 | THIS DRAWING CONTAINS INFORMATION THAT IS PROPRIETARY TO TXGA INDUSTRIAL ELECTRONICS(S.Z)CO.,LTD AND SHOULD NOT BE USED WITHOUT WRITTEN PERMISSION | | |

| REV | LOCATIONS | DESCRIPTION | DATE | REVISER | APPD |
|-----|-----------|--|-----------|---------|------|
| 1 | △ | Part No.: Change FRJ4534 into FRJ45034 | 31/MAY/18 | Vandy | Eric |



SPECIFICATIONS

Electrical Performances

Current Rating: 1.5A AC(rms)/DC
Voltage Rating: 125V AC(rms)/DC
Contact Resistance: 30 mΩ Max
Insulation Resistance: 500 MΩ MIN
Withstanding Voltage: 1000V AC r.m.s

Material and Plating

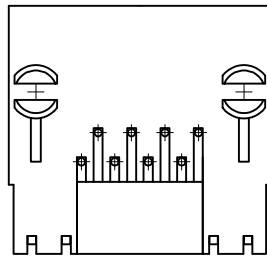
Housing: PBT (UL 94V-0)
Contact: Phosphor Bronze/ Gold Plated

Mechanical Performances

Mating/Unmating Force: 30N Max
Retention Strength: 50N For 60s±5s
Durability: 750 Cycles Min.

Environmental Characteristics

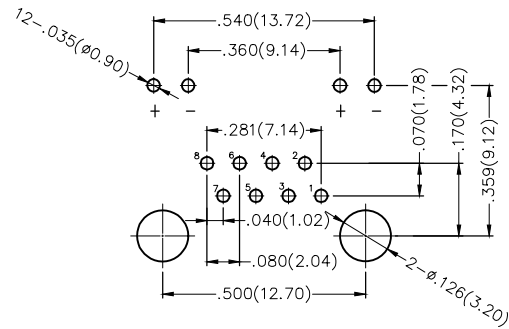
Temperature Range—Operating: -40°C~+85°C




Ordering Information

FRJ45 034 — 1 1 XX K6 K X 2 A 0
1 2 3 4 5 6 7 8 9 10

| | | | | |
|------------------------------------|--------------------------|---|-------------------------------|---|
| 1 Category FRJ45-RJ45 Connector | 2 Distinction No. 034 | 3 Ports options 1-1 Port | 4 Plating 1-Gold Plated | 5 Thickness of plating 00-Gold flash 03-3μ" Custom plate available |
| 6 Color-Resin K6-Black | 7 Packaging K-Tray | 8 LED style 1-L: Yellow R: Green 2-L: Green R: Yellow | 9 Contact type 2-Round pin | 10 distinction type A-A type |



Recommended P.C.Board Layout

| | | | | | | | |
|------------------------|---------------------------------------|------------------------|----------------------|------------------|--|----------------------|---|
| THIRD ANGLE PROJECTION | GENERAL TOLERANCES (UNLESS SPECIFIED) | | APPROVE BY FRANK | DATE 1/AUG/13 | PART NO. △ FRJ45034-11XXK6KX2A0 | ITEM NO. FRJ45034 |  Leader Of Industry |
| | DESIGN UNITS Inch (metric) | X.±.012(0.30) X.±5' | CHECKED BY CHERRY | DATE 1/AUG/13 | TITLE RJ45 8P8C DIP 90° CONN | | |
| SCALE 5:1 | SIZE A4 | X.XX±.006(0.15) .XX±1' | DRAWN BY JACOB | DATE 1/AUG/13 | THIS DRAWING CONTAINS INFORMATION THAT IS PROPRIETARY TO TXGA INDUSTRIAL ELECTRONICS(S.Z)CO.,LTD AND SHOULD NOT BE USED WITHOUT WRITTEN PERMISSION | | |