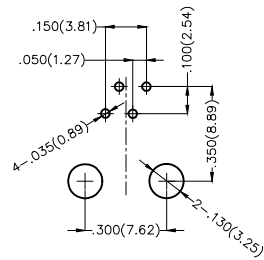
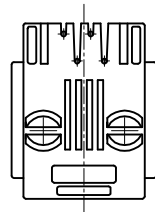
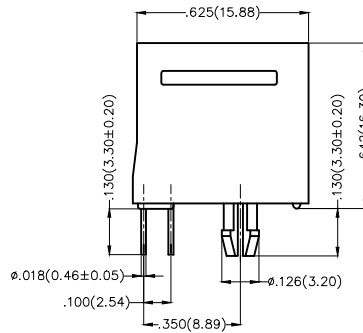
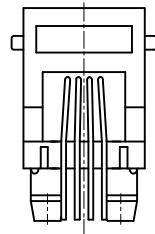
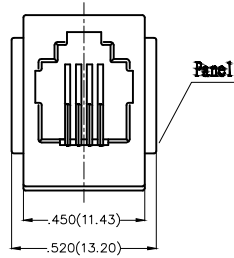


1 2 3 4 5 6 7 8

REV	LOCATIONS	DESCRIPTION	DATE	REVISER	APPD
1	△	Part No.: Change FRJ1106 into FRJ11006	05/JUN/18	KATE	ERIC



Recommended P.C.Board Layout

SPECIFICATIONS

Electrical

Current Rating: 1.5A AC(rms)/DC  
 Voltage Rating: 125V AC(rms)/DC  
 Contact Resistanc: 30 mΩ Max  
 Insulation Resistance: 500 MΩ MIN  
 Withstanding Voltage: 1000V AC r.m.s  
 Operating Temperature: -40°C ~ +85°C

Material

Housing: PBT 94V-0  
 Contact: Gold-Plated  
 PC Plug should bear 10N Pulling Rorce Witchout  
 750Times Min

Ordering Information

FRJ11 006 - 1 1 XX K6 K 2 0  
 1 2 3 4 5 6 7 8

1	Category FRJ11-RJ11 Connector	2	Distinction No. 006	3	Ports options 1-1 Port	4	Plating 1-Gold Plated
5	Thickness of plating 00-Gold flash 03-3μ" Custom plate available	6	Color-Resin K6-Black	7	Packaging K-Tray	8	Contact type 2-Round pin

<p>THIRD ANGLE PROJECTION</p>	GENERAL TOLERANCES (UNLESS SPECIFIED)		APPROVE BY FRANK	DATE 18/SEP/16	PART NO. △ FRJ11006-11XXK6K20	ITEM NO. FRJ11006	<p>Leader Of Industry</p>
	X.±.012(0.30)	X'.±5'	CHECKED BY CHERRY	DATE 18/SEP/16	TITLE RJ11 Connector 4P4C 180° Vertical		
DESIGN UNITS Inch (metric)	X.X±.008(0.20)	.X'±2'	DRAWN BY KATE	DATE 18/SEP/16	THIS DRAWING CONTAINS INFORMATION THAT IS PROPRIETARY TO TXGA INDUSTRIAL ELECTRONICS(S.Z)CO.,LTD AND SHOULD NOT BE USED WITHOUT WRITTEN PERMISSION		
SCALE 5:1	SIZE A4	X.XX±.006(0.15)	.XX'±1'				
		X.XXX±.004(0.10)	.XXX'±0.5'				

1 2 3 4 5 6 7 8