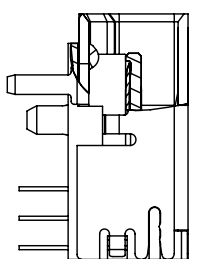
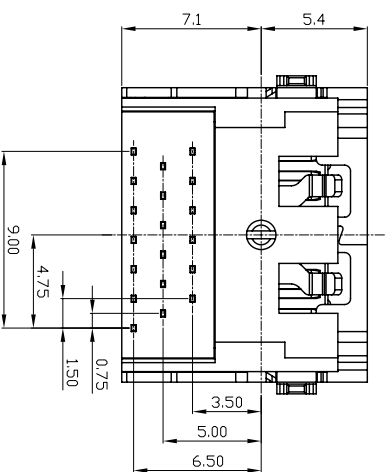
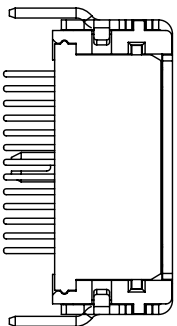
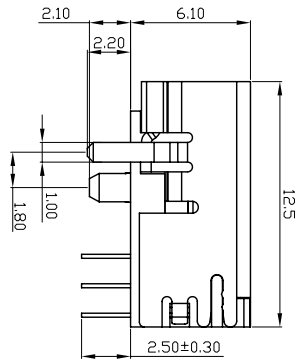
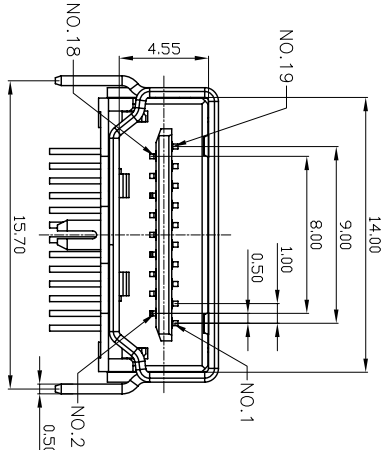


RECOMMENDED PCB LAYOUT (TOP VIEW)
TOLERANCE FOR PCB LAYOUT IS ± 0.05



NOTE:

1. MATERIAL:
 - 1.1 Insulator: LCP+30%Glass
 - 1.2 Shell And Contact: Brass
 - 1.3 Contact Plating: 1u"MIN. GOLD PLATING ON CONTACT AREA.
 - 1.4 Shell: 80u"Nickel plated over all
2. SPECIFICATION:
 - 2.1 Current Rate: 0.5Amp Min
 - 2.2 Insulator Resistance: 100MΩ Min
 - 2.3 Dielectric Strength: 500V AC Per minute
 - 2.4 Contact Resistance: 30mΩ Max
 - 2.5 Operation Temperature: -55°C~+85°C

REV:	DESCRIPTION	REV BY	APPROVED	DATE	MATL:	SEE SPECIFICATION	APPROVED

TOLERANCE UNLESS OTHERWISE SPECIFIED
XXX ±0.10
XX ±0.20
X ±0.30
.X ±.3

产品名称	HDMI 19PIN母三排90度
PART NAME:	
料号	91-HD01-024
PART No:	

PROJECTION:	THIRD ANGLE PROJECTION
UNIT:	mm
SCALE	1:1
REV(No)	A
SHEET	1 OF 1
CHECKED	DATE
DRAWN	2012.05.25

9	8	7	6	5	4	3	2	1
---	---	---	---	---	---	---	---	---