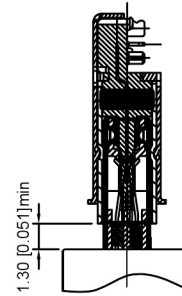
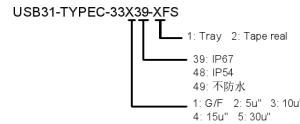
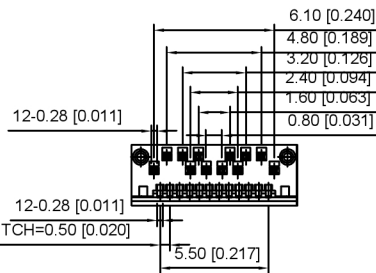
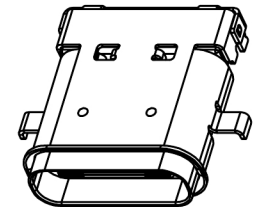
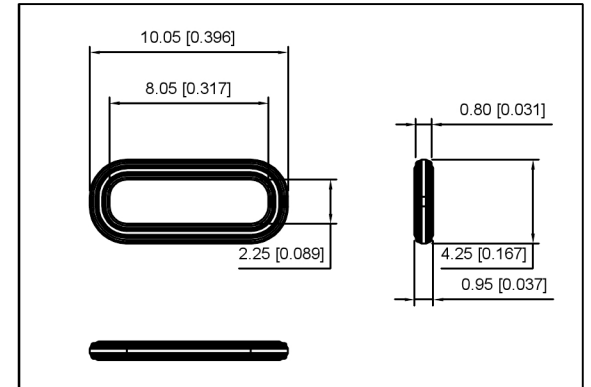


RECOMMEND P.C.B LAYOUT (COMPONENT SIDE)
TOLERANCE FOR PCB LAYOUT IS ± 0.05



Material
Housing Material: High temperature thermoplastic
Contact Terminal: High Grade Copper Alloy
Metallic Shell: Stainless Steel
Cover Shell: Iron
Inner Ground Cover Shell: Stainless Steel
Mid Plate: Stainless Steel
Plating
Data Contact
Underplating: 50µ" Min. Nickel
Contact Plating: 1µ" Gold
Solder Area: 80µ" Matte Tin
Shell
Metallic Shell: 50µ" Min. Nickel
Cover Shell
Metallic Shell: 80µ" Min. Nickel
Inner Ground Cover Shell
Metallic Shell: 50µ" Min. Nickel
Electrical
Voltage Rating: 20V DC
Current Rating: Vbus pins collectively 5.00A, GND pins collectively 6.25A, B5 pin 1.25A, Other pins 0.25A per pin
Contact Resistance: 40mΩ Max.
Insulation resistance: 100 MQ MIN.
Dielectric withstanding voltage: 100V AC/MINUTE
Mechanical
Durability: 10,000 cycles
Mating Force: 5 to 20N
Unmating Force: 8 to 20N (post test)



广东星坤科技股份有限公司

| | | |
|------|--|-------------|
| Δ X | | 日期 |
| Δ X | | 日期 |
| Δ X | | 日期 |
| MARK | | DESCRIPTION |

文件工程章

| REVISIONS | DATE | REVISED | APPROVED | UNSPECIFIED TOLERANCES |
|-----------|------|---------|----------|------------------------|
| | | | | |



| | | | |
|------|--|-------------|---------------------------|
| DSND | | SCALE: N/A | MODEL TYPE: Type-C 3.1 |
| DWN | | VIEW: | PART NO.: |
| CHKD | | UNIT: mm/in | DWG NO.: |
| APPD | | SIZE: A4 | USB31-TYPEC-33X39-XFS |
| | | | WEIGHT |
| | | | SHEET |
| | | | REVISIO |
| | | | 1/1 |
| | | | A0 |