



2R Ceramic Surge Arresters

SPECIFICATION

Changzhou Wujin Jiangnan Discharge Tube Co.,Ltd

Add:Zouqu Town Industrial Zone,Wujin Changzhou City,Jiangsu,China

Tel: 0519-83631254

Fax: 0519-83631533

Email:jiangnan@jiangnan-cn.cn

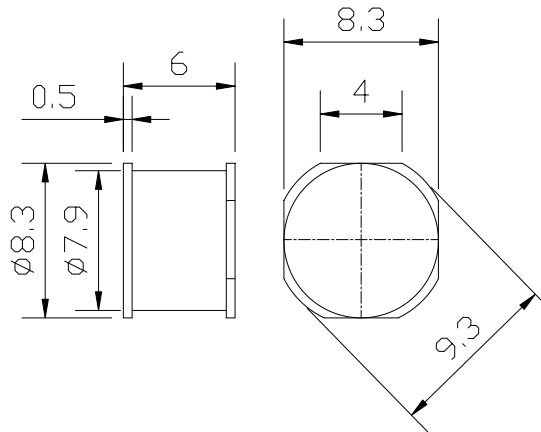


• **Electrical Characteristics**

		2R90A5-1	
DC spark-over voltage		90 ± 20	V %
Impulse spark-over voltage			
at 100V/μs	- for 99% of measured values - typical values of distribution	< 500 < 450	V V
at 1 kV/μs	- for 99% of measured values - typical values of distribution	< 600 < 550	V V
Service life			
10 operations	50Hz, 1s	20	A
10 operations [5x (+)&5x(-)]	8/20 μs	20	kA
1 operations	8/20 μs	25	kA
1 operations	10/350 μs	2.5	KA
Insulation resistance at 50 Vdc		> 10	G Ω
Capacitance at 1 MHz		< 1.5	pF
Arc voltage at 1 A		~15	V
Glow to arc transition current		~0.6	A
Glow voltage		~60	V
Weight		~1.5	g
Operation and storage temperature		-40...+125	°C
Marking, blue		2R90 20 2R -Two Electrode 90 -Nominal voltage 20 -Impulse discharge current	



Dimensional drawing



Ordering code and packing advice
JN2R90A5=600 pcs on SMD-tape

