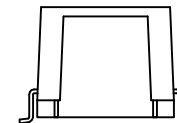
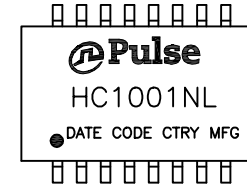


NOTES:

1. ROHS COMPLIANT
2. HEADER: PHENOLIC WITH FLAMMABILITY RATING UL 94V-0 OR BETTER.
3. STORAGE TEMPERATURE: -40°C TO +85°C
4. COMPLIANCE TO J-STD:
  - A. J-STD-002: SOLDERABILITY AT 245°C REFLOW PROFILE
  - B. J-STD-020: LEVEL 1, NO MOISTURE SENSITIVE
  - C. J-STD-075: R7, 245°C MAXIMUM THROUGH REFLOW SOLDER
5. TO ORDER TAPE & REEL PACKAGING ADD A "T" SUFFIX TO THE PART NUMBER(i.e HC1001NL BECOMES HC1001NLT).

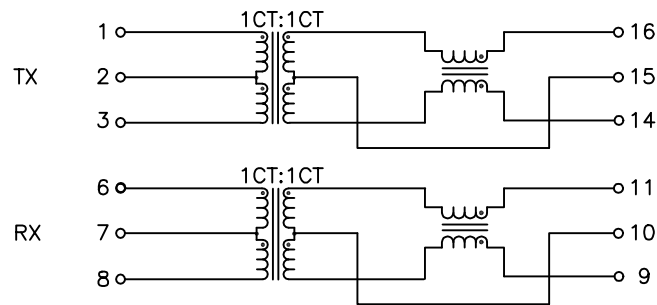


FINAL OUTLINE

© Copyright, 2015. Pulse Electronics Corp. All rights reserved. Pulse confidential & proprietary. (03/11/15)

PRODUCT DESCRIPTION	TLA DRAWING	PS DRAWING	SHEET	PART NO.	DATASHEET REV.
MDL,SIN,100D,1:1,SM,TU	HC1001NL-X01	-	1 OF 3	HC1001NL	A

ELECTRICAL CHARACTERISTICS AT +25°C UNLESS OTHER SPECIFIED  
MEETS IEEE 802.3 SPECIFICATION



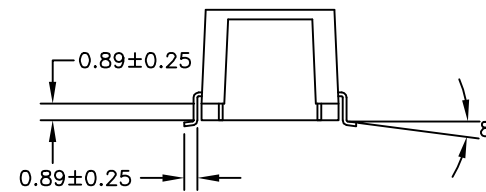
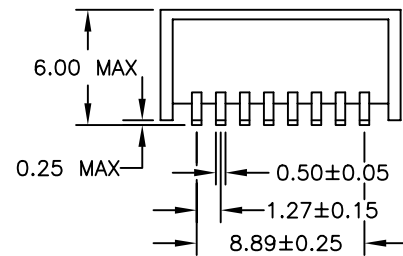
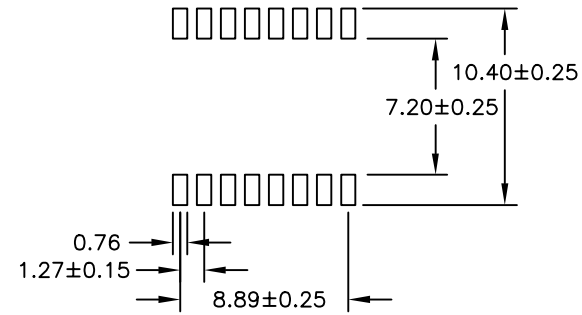
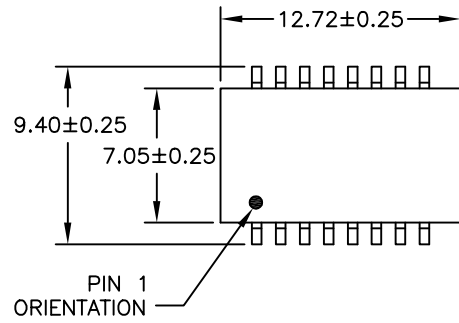
SCHEMATIC

PARAMETER	SPECIFICATIONS		
OPERATING TEMP	0°C TO +70°C		
TURNS RATIO	1 : 1 ±5%		
POLARITY	PER SCHEMATIC		
INSERTION LOSS	1-100MHz		
	-1.0dB MAX		
RETURN LOSS (Z OUT = 100 OHM ±15%)	30 MHz	60 MHz	80 MHz
	-16 dB MIN	-12 dB MIN	-10 dB MIN
INDUCTANCE (OCL) (100 KHz, 100 mVRMS WITH 8 mA DC BIAS)	350 uH MIN		
CROSSTALK, ADJACENT CHANNELS	1-100 MHz		
	-32 dB MIN		
COMMON MODE REJECTION RATIO	1-100 MHz		
	-30 dB MIN		
LEAKAGE INDUCTANCE (100 KHz, 100 mVRMS)	0.5 uH MAX		
PRIMARY DCR	1.2 OHMS MAX		
INPUT - OUTPUT ISOLATION	1500 VRMS MIN @ 60 SECONDS		

NOTE: f IS FREQUENCY IN MHZ.

© Copyright, 2015. Pulse Electronics Corp. All rights reserved. Pulse confidential & proprietary. (03/11/15)

PRODUCT DESCRIPTION	TLA DRAWING	PS DRAWING	SHEET	PART NO.	DATASHEET REV.
MDL,SIN,100D,1:1,SM,TU	HC1001NL-X01	-	2 OF 3	HC1001NL	A



DIMENSIONS ARE IN MILLIMETERS WITH THE FOLLOWING  
TOLERANCES: X.XX= ±0.25

© Copyright, 2015. Pulse Electronics Corp. All rights reserved. Pulse confidential & proprietary. (03/11/15)

PRODUCT DESCRIPTION	TLA DRAWING	PS DRAWING	SHEET	PART NO.	DATASHEET REV.
MDL,SIN,100D,1:1,SM,TU	HC1001NL-X01	-	3 OF 3	HC1001NL	A