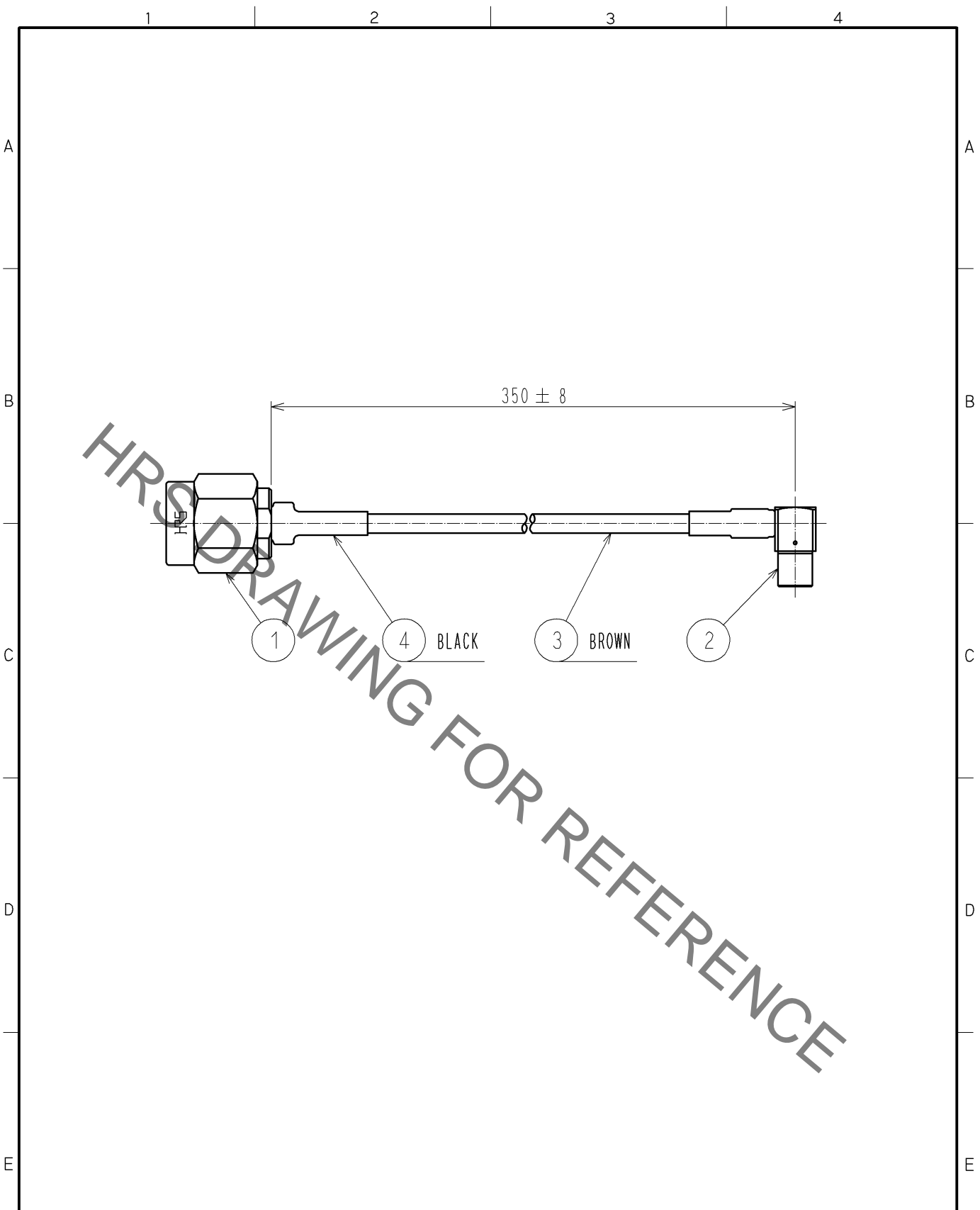


Sep.1.2019 Copyright 2019 HIROSE ELECTRIC CO., LTD. All Rights Reserved.
 In case of consideration for using Automotive equipment / device which demand high reliability, kindly contact our sales window correspondents.



RoHS COMPLIANT

2	ML51-LP-DTR178-D(40)	CL337-0054-0-40	4	HEAT SHRINK TUBING	Sumitomo Electric, Ltd.
1	HRM-100-18B(40)	CL323-0442-7-40	3	DTR178	Junkosha Inc.
NO.	PART NO.	CODE NO.	NO.	PART NO.	MANUFACTURER

UNITS mm		SCALE FREE	COUNT 	DESCRIPTION OF REVISIONS	DESIGNED	CHECKED	DATE
-------------	--	---------------	-----------	--------------------------	----------	---------	------

HIROSE ELECTRIC CO., LTD.	APPROVED : MH. YAMANE	09.09.28	DRAWING NO.	EDC4-326875-01
	CHECKED : TS. NOBE	09.09.28	PART NO.	HRMP-ML51LP-DTR178-350RS
	DESIGNED : NK. OOSAWA	09.09.26	CODE NO.	CL321-4926-2-01
	DRAWN : NK. OOSAWA	09.09.26		1/1