

## SPECIFICATIONS

Rated(额定参数): 300V,25A  
 Dielectric strength(抗电强度): AC2000V/1 Minute  
 Insulation Resistance(绝缘电阻):1000MΩ Min  
 Contact Resistance(接触电阻):20mΩ Max  
 Screw Torque(扭矩): 1.2Nm (10.53Lb.in)  
 Wire Range(线径):12~22AWG  
 Temp. range(操作温度): -40°C~+105°C  
 MAX Soldering(瞬时温度):+250°C,5s

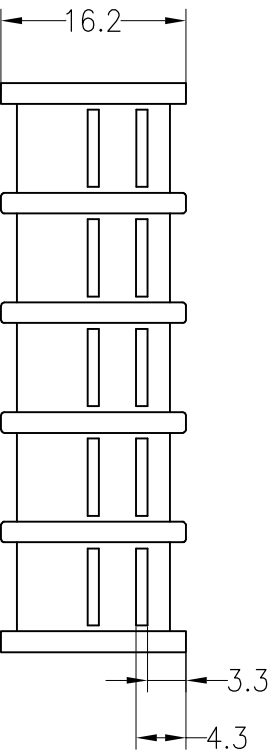
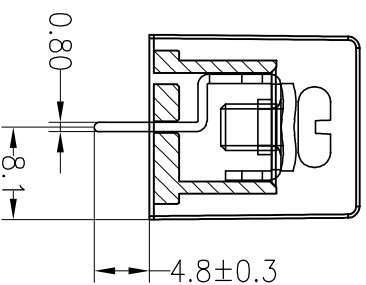
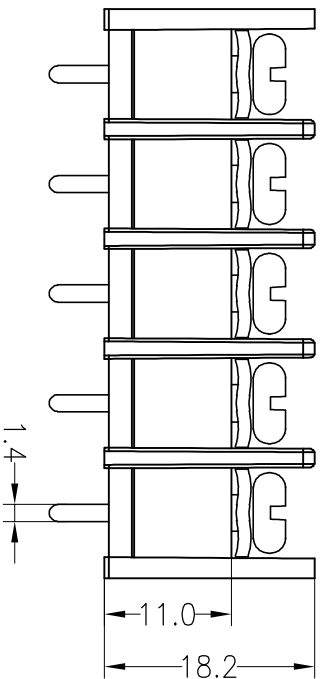
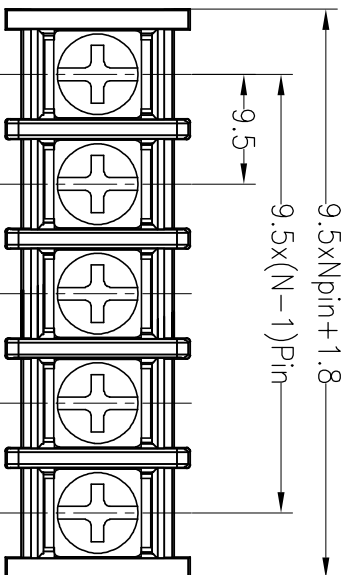
Housing Material(塑件): PA66 (UL94 V-0)  
 Contact(端子): Brass, Tin plating(黄铜镀锡)  
 Screw (螺丝): M4.0, Steel, Ni plating(钢,镀锌)

PITCH RANGE IN MM	NOMINAL DIMENSION RANGE IN MM				
	OVER TO	OVER TO	OVER TO	OVER TO	OVER TO
6	10	10	30	60	100
10	24	30	60	100	150
±0.10	±0.15	±0.25	±0.30	±0.50	±0.70
					±1.00

## Ordering Information

**JL45C - 950 XX X X 1**

Pitch 950=9.5PH  
 No. of pins 2P~26P  
 Housing Color  
 B=Black  
 G=Green  
 U=Blue  
 R=Red  
 W=White  
 Y=Yellow  
 O=Orange  
 F=Grey  
 Packing  
 O=Pe bog  
 T=Tube  
 A=Troy



REV	DATE	MODIFICATION DESCRIPTION	CHANGE	OPERATION	DRAW	SCALE	FIT	PART NO.	TITLE:
A0	2015.07.09	NEW DRAWING		XX ±0.30	CHECK	UNIT mm	A4	JL45C-950XXXX1	9.50mm Barrier Terminal Blocks
1				X:XX ±0.20		SIZE A4	1/1		
				X:XXX ±0.10		SHEET			
				Angle ±3°	APPROVE	PROJ.			
				DIM					
				TOL					

**JILIN** 深圳市锦凌电子有限公司  
 SHENZHEN JINLING ELECTRONIC CO.,LTD  
 Tel: 86-755-2997-5806/5802 Fax: 86-755-2997-5992