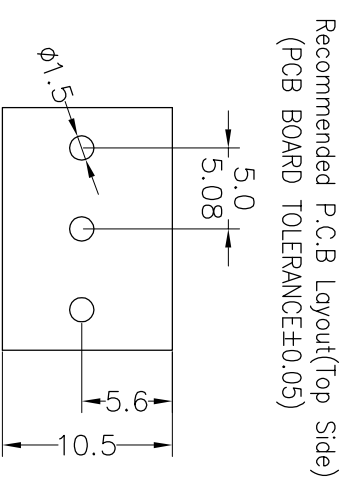
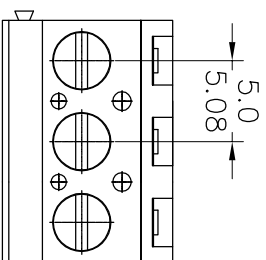


## SPECIFICATIONS

Rated(额定参数): 300V,20A  
 Dielectric strength(抗电强度): AC2000V/1 Minute  
 Insulation Resistance(绝缘电阻):1000MΩ Min  
 Contact Resistance(接触电阻):20mΩ Max  
 Screw Torque(扭矩): 0.5Nm (4.4lb.in)  
 Wire Range(线径):1.2~2.4AWG  
 Strip length(剥线长度):6~7mm  
 Temp. range(操作温度): -40℃~+105℃  
 MAX Soldering(瞬时温度):+250℃,5s



Housing Material(塑件): PA66 (UL94 V-0)  
 Contact(端子): Brass, Tin plating(黄铜镀锡)  
 Clamp(方块): Brass/Steel(铜/铁), Ni plating(镍)  
 Screw (螺丝): M3.0, Steel, Zinc plating(钢,镀锌)

PITCH RANGE IN MM	NOMINAL DIMENSION RANGE IN MM				
	OVER TO	OVER TO	OVER TO	OVER TO	OVER TO
6 TO 10	10 TO 24	30 TO 60	60 TO 100	100 TO 150	150 TO 150
±0.10	±0.15	±0.25	±0.30	±0.30	±0.50
					±0.70
					±1.00

## Ordering Information

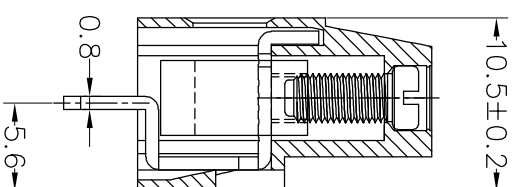
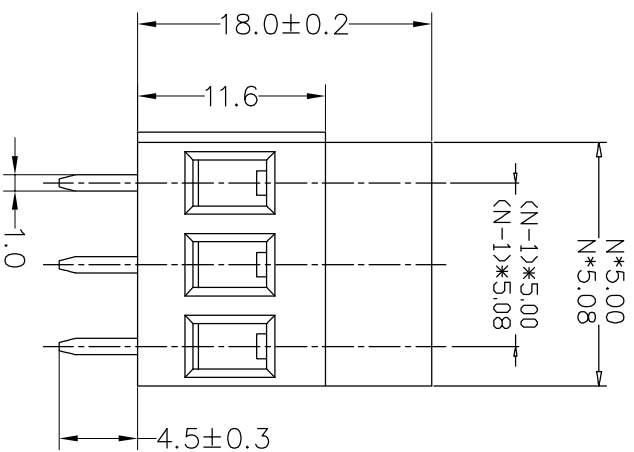
JL 129-XXX XX X X 1

Pitch  
500=5.0PH  
508=5.08PH

No. of pins  
2P,3P,4P~24P

Housing Color  
B=Black  
G=Green  
U=Blue  
R=Red  
W=White  
Y=Yellow  
O=Orange  
E=Grey

Packing  
O=Pe bog  
T=Tube  
A=Tray



REV	DATE	MODIFICATION DESCRIPTION	CHANGE	DIM	TOL	APPROVE	SCALE	FIT	PROJ.	PART NO.	TITLE:
A0	2016.05.16	NEW DRAWING		Angle	±3°	CHECK	A4	1/1		JL129-XXXXXXXX1	PCB UNIVERSAL SCREW TERMINAL BLOCKS
1											

**JILIN** 深圳市锦凌电子有限公司  
 SHENZHEN JINLING ELECTRONIC CO.,LTD  
 Tel: 86-755-2997-5806/5802 Fax: 86-755-2997-5992