

Adjustable Low Dropout 300mA Linear Regulator

Features

- **Wide Operating Voltage: 3~6V**
- **Low Dropout Voltage: 300mV(Typical) @ 300mA**
- **Guaranteed 300mA Output Current**
- **Adjustable Output Voltage: 1.25~5.5V**
- **Current-Limit Protection with Foldback Current**
- **Over-Temperature Protection**
- **Stable with Low ESR Ceramic Capacitor**
- **SOT-23-5 Package**
- **Lead Free and Green Devices Available (RoHS Compliant)**

Applications

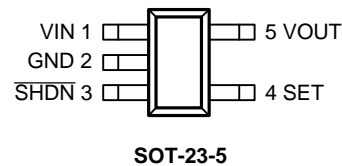
- **Cellular Phones**
- **Portable and Battery-Powered Equipment**
- **Notebook and Personal Computers**

General Description

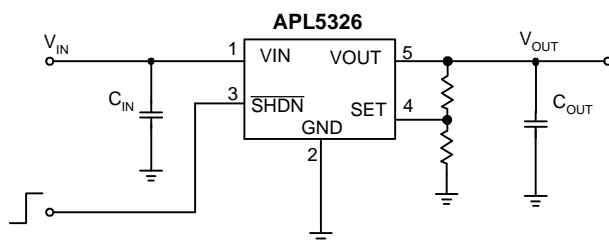
The APL5326 is a P-channel low dropout linear regulator which needs only one input voltage from 3 to 6V, and delivers current up to 300mA to set output voltage. It also can work with low ESR ceramic capacitors and is ideal for using in the battery-powered applications such as notebook computers and cellular phones. Typical dropout voltage is only 300mV at 300mA loading.

Current limit with current foldback and thermal shutdown functions protect the device against current over-loads and over temperature. The APL5326 is available in a SOT-23-5 package.

Pin Configuration



Simplified Application Circuit



ANPEC reserves the right to make changes to improve reliability or manufacturability without notice, and advise customers to obtain the latest version of relevant information to verify before placing orders.

Ordering and Marking Information

<p>APL5326 □□-□□□</p> <div style="margin-left: 20px;"> <p>└─ Assembly Material</p> <p>└─ Handling Code</p> <p>└─ Temperature Range</p> <p>└─ Package Code</p> </div>	<p>Package Code B: SOT-23-5</p> <p>Operating Ambient Temperature Range I: -40 to 85 °C</p> <p>Handling Code TR : Tape & Reel</p> <p>Assembly Material G : Halogen and Lead Free Device</p>
<p>APL5326 B : 26RX</p>	<p>X - Date Code</p>

Note: ANPEC lead-free products contain molding compounds/die attach materials and 100% matte tin plate termination finish; which are fully compliant with RoHS. ANPEC lead-free products meet or exceed the lead-free requirements of IPC/JEDEC J-STD-020D for MSL classification at lead-free peak reflow temperature. ANPEC defines “Green” to mean lead-free (RoHS compliant) and halogen free (Br or Cl does not exceed 900ppm by weight in homogeneous material and total of Br and Cl does not exceed 1500ppm by weight).

Absolute Maximum Ratings (Note 1)

Symbol	Parameter	Rating	Unit
V_{IN}	VIN Supply Voltage (VIN to GND)	-0.3 ~ 6.5	V
V_{SHDN}	SHDN Input Voltage (SHDN to GND)	-0.3 ~ 6.5	V
P_D	Power Dissipation	Internally Limited	W
T_J	Junction Temperature	-40 ~ 150	°C
T_{STG}	Storage Temperature	-65 ~ 150	°C
T_{SDR}	Maximum Lead Soldering Temperature, 10 Seconds	260	°C

Note 1: Absolute Maximum Ratings are those values beyond which the life of a device may be impaired. Exposure to absolute maximum rating conditions for extended periods may affect device reliability.

Thermal Characteristics

Symbol	Parameter	Typical Value	Unit
θ_{JA}	Thermal Resistance-Junction to Ambient ^(Note 2)	240	°C/W
θ_{JC}	Thermal Resistance-Junction to Case	130	°C/W

Note 2 : θ_{JA} is measured with the component mounted on a high effective thermal conductivity test board in free air.

Recommended Operating Conditions

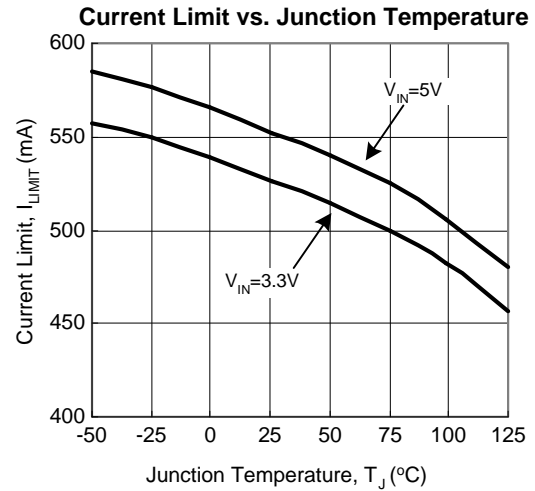
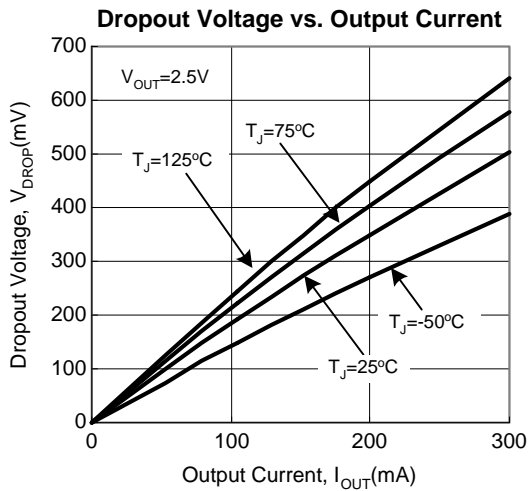
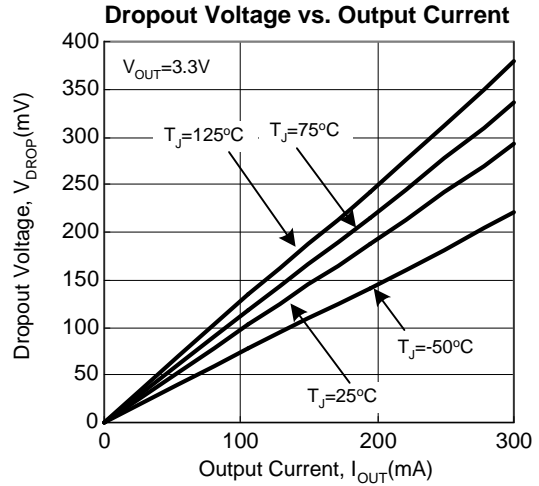
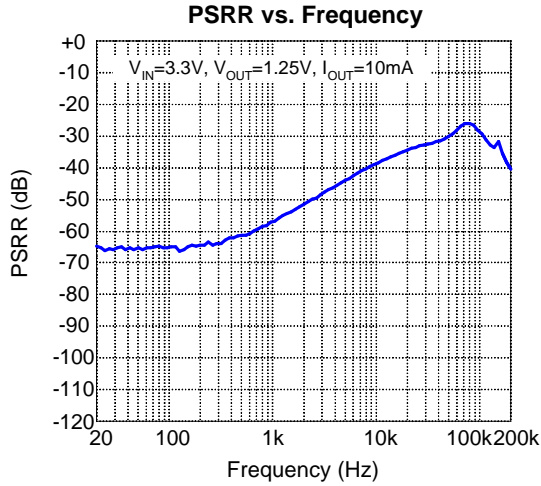
Symbol	Parameter	Range	Unit
V_{IN}	VIN Supply Voltage	3 ~ 6	V
V_{OUT}	Output Voltage	1.25 ~ 5.5	V
I_{OUT}	VOU Output Current	0 ~ 300	mA
C_{IN}	Input Capacitor	0.22 ~ 100	μF
C_{OUT}	Output Capacitor	0.8 ~ 100	μF
T_J	Junction Temperature	-40 ~ 125	°C

Electrical Characteristics

Unless otherwise specified, these specifications apply over $V_{IN} = V_{OUT} + 1V$, $I_{OUT} = 0 \sim 300mA$, $C_{IN} = 1\mu F$, $C_{OUT} = 1\mu F$, $T_A = -40$ to $85^\circ C$. Typical values are at $T_A = 25^\circ C$.

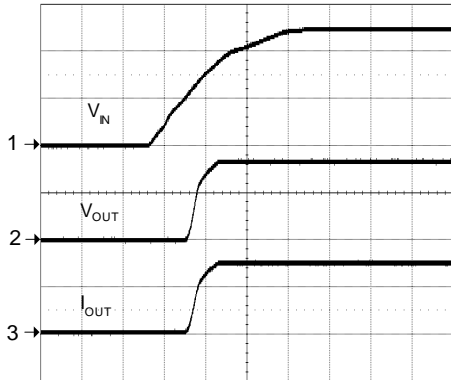
Symbol	Parameter	Test Conditions	APL5326			Unit
			Min.	Typ.	Max.	
V_{IN}	Input Voltage		3	-	6	V
V_{OUT}	Output Voltage Range		1.25	-	5.5	V
I_Q	Quiescent Current	$I_{OUT} = 10mA \sim 300mA$	-	135	160	μA
V_{REF}	Reference Voltage	Measured on SET, $V_{IN} = 3V$, $I_{OUT} = 10mA$	-	1.25	-	V
	Output Voltage Accuracy	$I_{OUT} = 10mA$	-2	-	+2	%
REG_{LINE}	Line Regulation	$\Delta V_{OUT} \% / \Delta V_{IN}$, $I_{OUT} = 10mA$	-0.06	-	+0.06	%/V
REG_{LOAD}	Load Regulation	$\Delta V_{OUT} \% / \Delta I_{OUT}$	-0.2	-	+0.2	%/A
V_{DROP}	Dropout Voltage	$V_{OUT} = 2.5V$, $I_{OUT} = 300mA$	-	500	650	mV
		$V_{OUT} = 3.3V$, $I_{OUT} = 300mA$	-	300	400	
PSRR	Power Supply Ripple Rejection Ratio	$f = 10kHz$, $I_{OUT} = 10mA$	-	40	-	dB
	Noise	$f = 80Hz$ to $100kHz$, $I_{OUT} = 300mA$	-	160	-	μV_{RMS}
I_{LIMIT}	Current Limit		450	550	-	mA
I_{SHORT}	Foldback Current	$V_{IN} = 5V$, $V_{OUT} = 0V$	-	350	-	mA
	SHDN Input Voltage High		1.6	-	-	V
	SHDN Input Voltage Low		-	-	0.4	
	V_{OUT} Discharge MOSFET $R_{DS(ON)}$	SHDN = Low	-	60	-	Ω
	Shutdown VIN Supply Current	SHDN = Low, $V_{IN} = 6V$	-	0.1	1	μA
	SHDN Pull Low Resistance		-	3	-	$M\Omega$
	Over-Temperature Threshold		-	160	-	$^\circ C$
	Over-Temperature Hysteresis		-	40	-	$^\circ C$
	SET Input Bias Current	$V_{SET} = 1.25V$	-100	-	100	nA

Typical Operating Characteristics



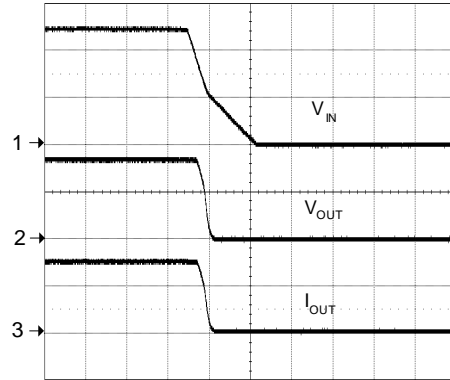
Operating Waveforms

Power on



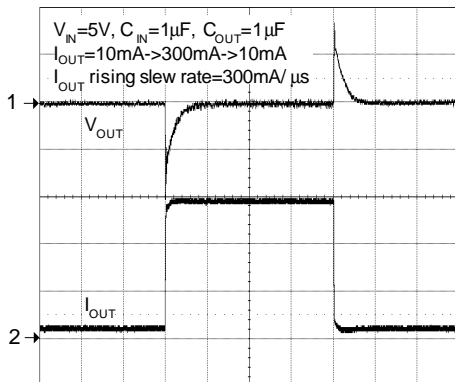
CH1 : V_{IN}, 2V/div
 CH2 : V_{OUT}, 2V/div
 CH3 : I_{OUT}, 200mA/div
 Time : 500μs/div

Power Off



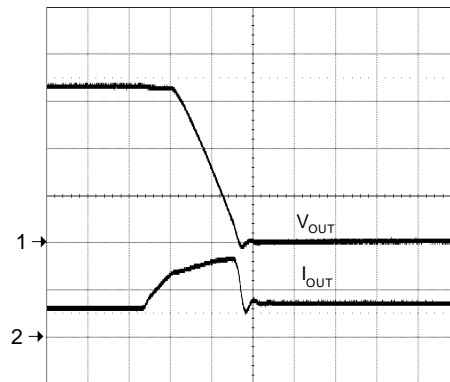
CH1 : V_{IN}, 2V/div
 CH2 : V_{OUT}, 2V/div
 CH3 : I_{OUT}, 200mA/div
 Time : 50ms/div

Load Transient



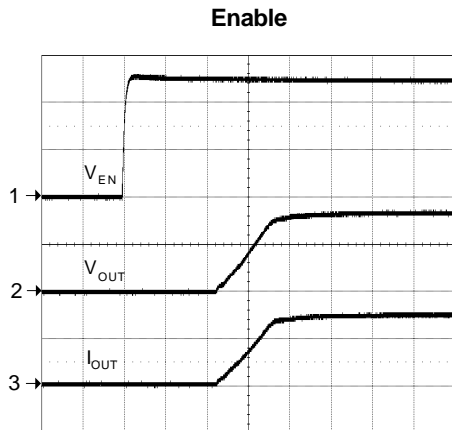
CH1 : V_{OUT}, 50mV/div, DC Offset=3.3V
 CH2 : I_{OUT}, 100mA/div
 Time : 50μs/div

Current Limit

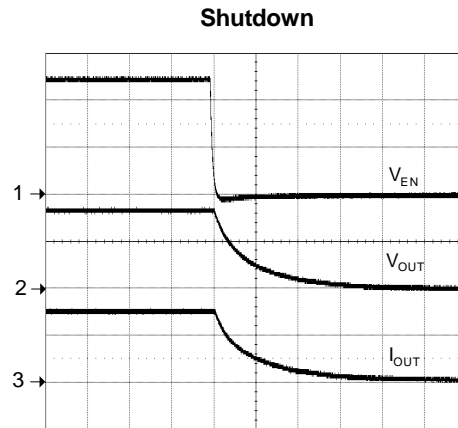


CH1 : V_{OUT}, 1V/div
 CH2 : I_{OUT}, 500mV/div
 Time : 20μs/div

Operating Waveforms (Cont.)



CH1 : V_{EN}, 2V/div
 CH2 : V_{OUT}, 2V/div
 CH3 : I_{OUT}, 200mA/div
 Time : 10μs/div

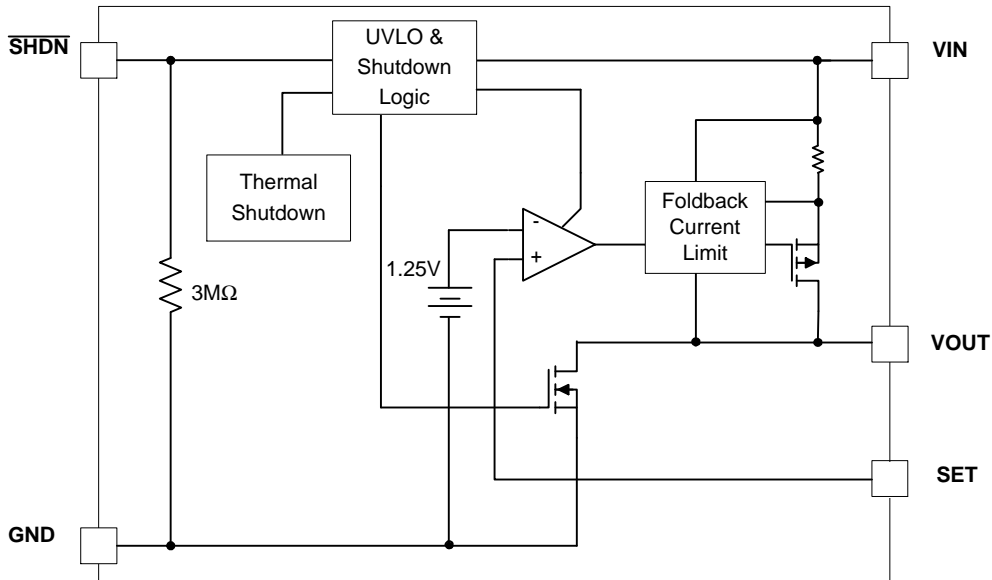


CH1 : V_{EN}, 2V/div
 CH2 : V_{OUT}, 2V/div
 CH3 : I_{OUT}, 200mA/div
 Time : 10μs/div

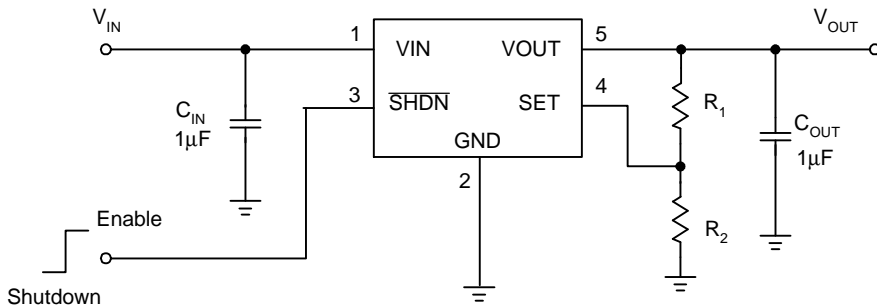
Pin Description

PIN		FUNCTION
NO.	NAME	
1	VIN	Voltage supply input pin.
2	GND	Ground pin.
3	SHDN	Shutdown control pin, logic high: enable; logic low: shutdown.
4	SET	Connect this pin to an external resistor divider to adjust output voltage.
5	VOUT	Regulator output pin.

Block Diagram



Typical Application Circuit



$$V_{OUT} = 1.25 \cdot \left(1 + \frac{R_1}{R_2} \right)$$

Designation	Supplier	Part Number	Specification
C _{IN} , C _{OUT}	Murata	GRM185R61A105KE36	0603, X5R, 10V, 1μF
C _{IN} , C _{OUT}	Murata	GRM188R71A105KA61	0603, X7R, 10V, 1μF

Reference: www.murata.com

Function Description

Output Voltage Regulation

The APL5326 is an adjustable low dropout linear regulator. The output voltage set by the resistor-divider is determined by:

$$V_{OUT} = 1.25 \cdot \left(1 + \frac{R1}{R2} \right)$$

Where R1 is connected from VOUT to SET with Kelvin sensing and R2 is connected from SET to GND. The recommended value of R2 is in the range of 100 to 100kΩ. An error amplifier works with a temperature compensated 1.25V reference and an output PMOS regulates the output to the presetting voltage. The error amplifier is designed with high bandwidth and DC gain provides very fast transient response and less load regulation. It compares the reference with the feedback voltage and amplifies the difference to drive the output PMOS which provides load current from VIN to VOUT.

Thermal Shutdown

A thermal shutdown circuit limits the junction temperature of APL5326. When the junction temperature exceeds +160°C, a thermal sensor turns off the output PMOS, allowing the device to cool down. The regulator regulates the output again through initiation of a new soft-start cycle after the junction temperature is cooled down by 40°C. The thermal shutdown is designed with a 40°C hysteresis to lower the average junction temperature during continuous thermal overload conditions, extending lifetime of the device.

For normal operation, device power dissipation should be externally limited so that junction temperature will not exceed 125°C.

Shutdown Control

The APL5326 has an active-low shutdown function. Force $\overline{\text{SHDN}}$ high (>1.6V) enables the V_{OUT} ; force $\overline{\text{SHDN}}$ low (<0.4V) disables the V_{OUT} . $\overline{\text{SHDN}}$ is internally pulled low by a resistor (3mΩ typical). If it is not used, connect to VIN for normal operation.

Application Information

Input Capacitor

The APL5326 requires proper input capacitors to supply surge current during stepping load transients to prevent the input rail from dropping. Because the parasitic inductor from the voltage sources or other bulk capacitors to the VIN limit the slew rate of the surge current, place the Input capacitors near VIN as close as possible. Input capacitors should be larger than 1μF and a minimum ceramic capacitor of 1μF is necessary.

Output Capacitor

The APL5326 needs a proper output capacitor to maintain circuit stability and to improve transient response over temperature and current. In order to insure the circuit stability, the proper output capacitor value should be larger than 1μF. With X5R and X7R dielectrics, 1μF is sufficient at all operating temperatures. Large output capacitor value can reduce noise and improve load-transient response and PSRR, however, it also affects power on issue. Maximum output capacitance should be less than 100μF.

Operation Region and Power Dissipation

The APL5326 maximum power dissipation depends on the thermal resistance and temperature difference between the die junction and ambient air. The power dissipation P_D across the device is:

$$P_D = (T_J - T_A) / \theta_{JA}$$

where $(T_J - T_A)$ is the temperature difference between the junction and ambient air. θ_{JA} is the thermal resistance between Junction and ambient air. Assuming the $T_A = 25^\circ\text{C}$ and maximum $T_J = 160^\circ\text{C}$ (typical thermal limit threshold), the maximum power dissipation is calculated as below:

$$P_{D(max)} = (160 - 25) / 240 = 0.56(W)$$

For normal operation, do not exceed the maximum junction temperature rating of $T_J = 125^\circ\text{C}$. The calculated power dissipation should less than:

$$P_D = (125 - 25) / 240 = 0.41(W)$$

The GND provides an electrical connection to the ground and channels heat away. Connect the GND to the ground by using a large pad or a ground plane.

Layout Consideration

Figure 1 illustrates the layout. Below is a checklist for your layout:

1. Please place the input capacitors close to the VIN.
2. Ceramic capacitors for load must be placed near the load as close as possible.
3. To place APL5326 and output capacitors near the load is good for performance.
4. Large current paths, the bold lines in figure 2, must have wide tracks.
5. Divider resistor R1 and R2 must be placed near the SET as close as possible.

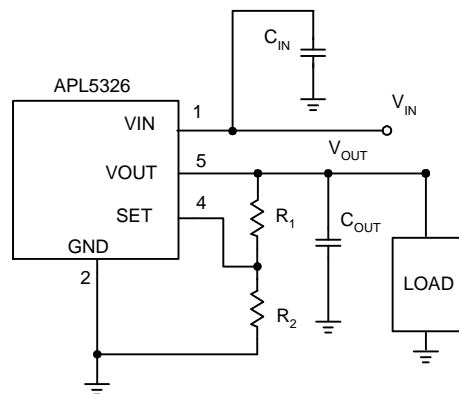
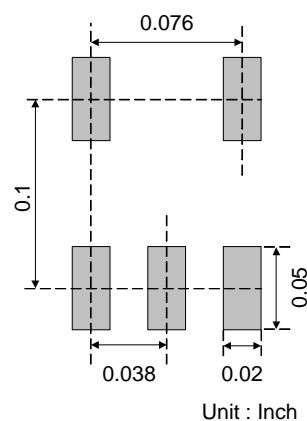


Figure 1.

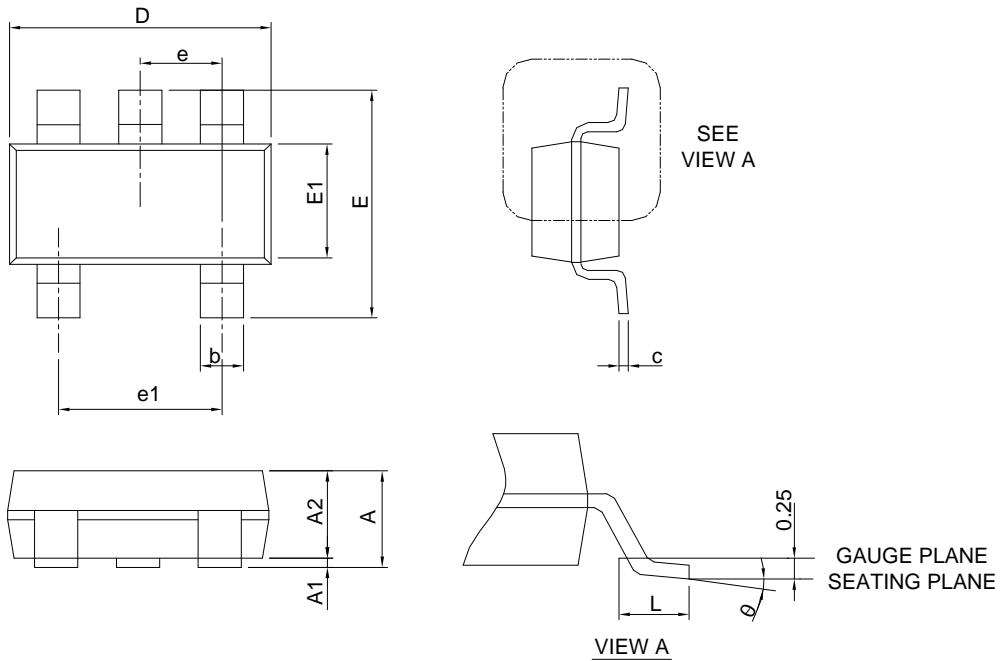
Recommended Minimum Footprint

SOT-23-5



Package Information

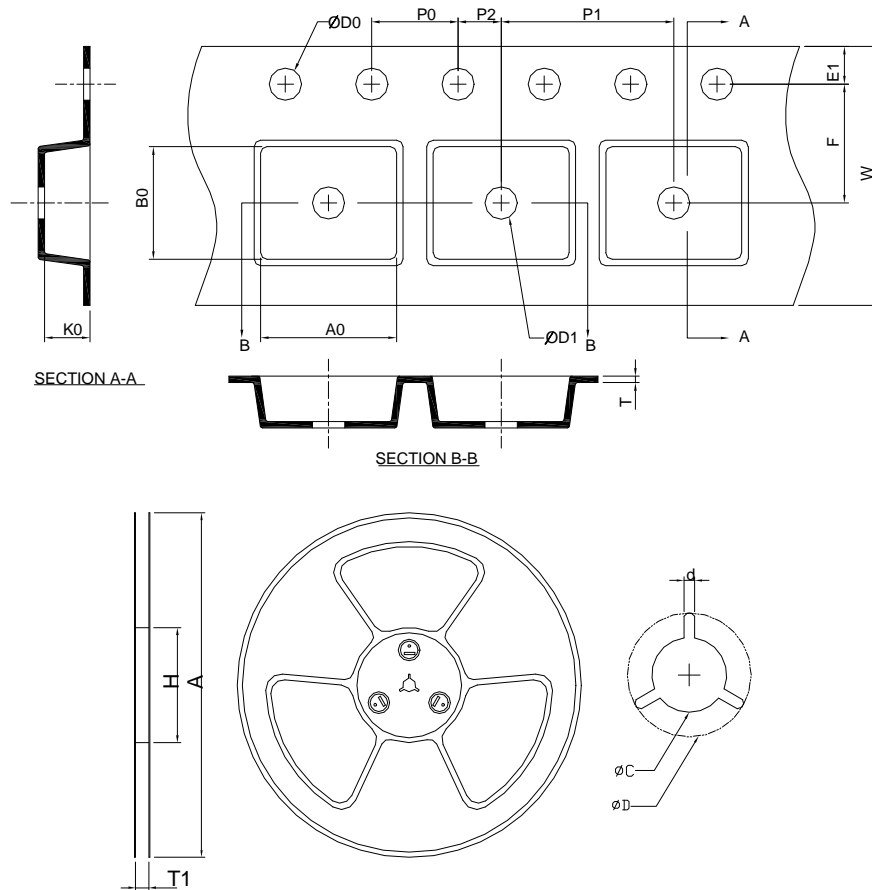
SOT-23-5



SYMBOLS	SOT-23-5			
	MILLIMETERS		INCHES	
	MIN.	MAX.	MIN.	MAX.
A		1.45		0.057
A1	0.00	0.15	0.000	0.006
A2	0.90	1.30	0.035	0.051
b	0.30	0.50	0.012	0.020
c	0.08	0.22	0.003	0.009
D	2.70	3.10	0.106	0.122
E	2.60	3.00	0.102	0.118
E1	1.40	1.80	0.055	0.071
e	0.95 BSC		0.037 BSC	
e1	1.90 BSC		0.075 BSC	
L	0.30	0.60	0.012	0.024
θ	0°	8°	0°	8°

Note : 1. Follow JEDEC TO-178 AA.
 2. Dimension D and E1 do not include mold flash, protrusions or gate burrs. Mold flash, protrusion or gate burrs shall not exceed 10 mil per side.

Carrier Tape & Reel Dimensions



Application	A	H	T1	C	d	D	W	E1	F
SOT-23-5	178.0 ±0.00	50 MIN.	8.4+2.00 -0.00	13.0+0.50 -0.20	1.5 MIN.	20.2 MIN.	8.0 ±0.30	1.75 ±0.10	3.5 ±0.05
	P0	P1	P2	D0	D1	T	A0	B0	K0
	4.0 ±0.10	4.0 ±0.10	2.0 ±0.05	1.5+0.10 -0.00	1.0 MIN.	0.6+0.00 -0.40	3.20 ±0.20	3.10 ±0.20	1.50 ±0.20

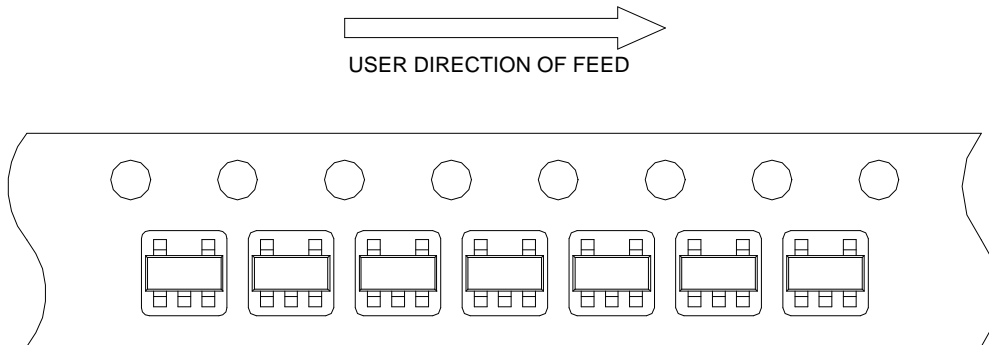
(mm)

Devices Per Unit

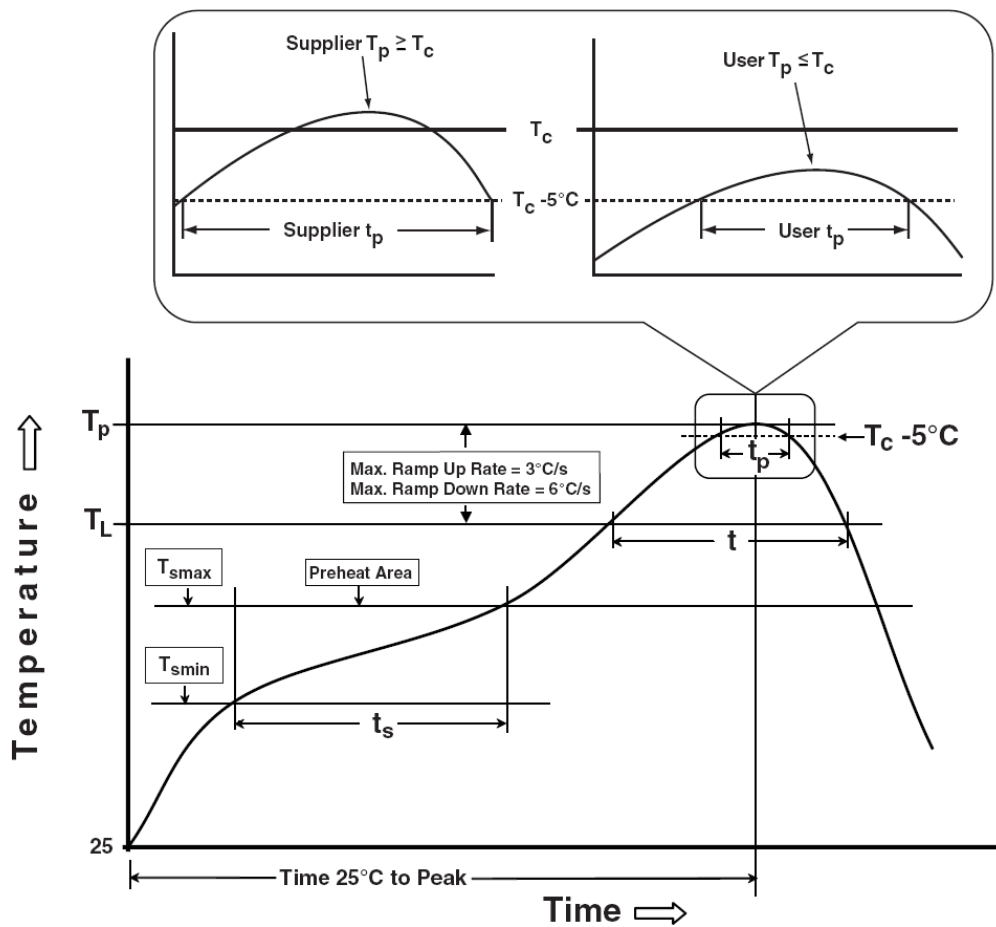
Package Type	Unit	Quantity
SOT-23-5	Tape & Reel	3000

Taping Direction Information

SOT-23-5



Classification Profile



Classification Reflow Profiles

Profile Feature	Sn-Pb Eutectic Assembly	Pb-Free Assembly
Preheat & Soak Temperature min (T_{smin}) Temperature max (T_{smax}) Time (T_{smin} to T_{smax}) (t_s)	100 °C 150 °C 60-120 seconds	150 °C 200 °C 60-120 seconds
Average ramp-up rate (T_{smax} to T_p)	3 °C/second max.	3°C/second max.
Liquidous temperature (T_L) Time at liquidous (t_L)	183 °C 60-150 seconds	217 °C 60-150 seconds
Peak package body Temperature (T_p)*	See Classification Temp in table 1	See Classification Temp in table 2
Time (t_p)** within 5°C of the specified classification temperature (T_c)	20** seconds	30** seconds
Average ramp-down rate (T_p to T_{smax})	6 °C/second max.	6 °C/second max.
Time 25°C to peak temperature	6 minutes max.	8 minutes max.
* Tolerance for peak profile Temperature (T_p) is defined as a supplier minimum and a user maximum. ** Tolerance for time at peak profile temperature (t_p) is defined as a supplier minimum and a user maximum.		

Table 1. SnPb Eutectic Process – Classification Temperatures (T_c)

Package Thickness	Volume mm ³ <350	Volume mm ³ ≥350
<2.5 mm	235 °C	220 °C
≥2.5 mm	220 °C	220 °C

Table 2. Pb-free Process – Classification Temperatures (T_c)

Package Thickness	Volume mm ³ <350	Volume mm ³ 350-2000	Volume mm ³ >2000
<1.6 mm	260 °C	260 °C	260 °C
1.6 mm – 2.5 mm	260 °C	250 °C	245 °C
≥2.5 mm	250 °C	245 °C	245 °C

Reliability Test Program

Test item	Method	Description
SOLDERABILITY	JESD-22, B102	5 Sec, 245°C
HOLT	JESD-22, A108	1000 Hrs, Bias @ 125°C
PCT	JESD-22, A102	168 Hrs, 100%RH, 2atm, 121°C
TCT	JESD-22, A104	500 Cycles, -65°C~150°C
HBM	MIL-STD-883-3015.7	VHBM 2KV
MM	JESD-22, A115	VMM 200V
Latch-Up	JESD 78	10ms, 1 _{tr} 100mA

Customer Service

Anpec Electronics Corp.

Head Office :

No.6, Dusing 1st Road, SBIP,
Hsin-Chu, Taiwan
Tel : 886-3-5642000
Fax : 886-3-5642050

Taipei Branch :

2F, No. 11, Lane 218, Sec 2 Jhongsing Rd.,
Sindian City, Taipei County 23146, Taiwan
Tel : 886-2-2910-3838
Fax : 886-2-2917-3838