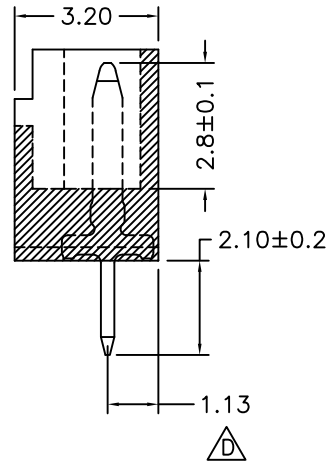


Recommended P.C.B Layout



MATERIAL

Insulator : NYLON 46  
Contact Pin : Brass

SPECIFICATION

Current Rate : 1 AMP  
Dielectric voltage : 500V AC for one minute  
Insulation Resistance : 500MΩMin.  
Contact Resistance : 20mΩMax  
Operation Temperature : -25°C to + 85°C

712-7 1-02 T W 01  
1 2 3 4 5

1. 5: Normal Parts
- 7: Green Product
- 9: Green Product High Temp
2. No. of contacts per row
3. G: Gold flash
- S: Selective
- T: Tin plated
4. S: Crystal insulator
- W: White insulator
5. Pinrex internal code.

D	增加尺寸	2012/01/11	TOLERANCE		OLD PART NO.	TITLE		頻銳科技股份有限公司 PINREX TECHNOLOGY CORP.			
C	REVISE ILLUSRRATION	2010/03/29	.0 =±.30		1250S-02TW	1.25mm HEADER DIP TYPE					
B	標示第1PIN	2008/05/20	.00 =±.20	UNITS : mm	DRAWER	CHECK					
A	RELEASE	2004/11/17	.000 =±.XXX	SCALE	胡雨婷						
REV.	DESCRIPTION	DATE	ANG.=±3'	SIZE	SHEET	REV.	APP'D	NEW PART NO.	DRAW NO.		
				NONE	A4	1 OF 1	<b>D</b>	712-71-02TW01	712-71-02TW01(D版)		