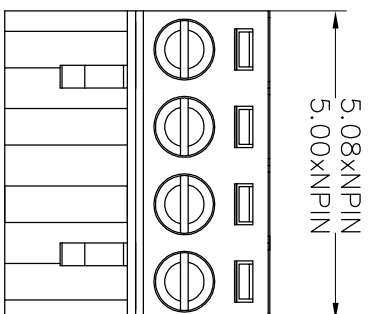


SPECIFICATIONS

Rated(额定参数): 300V,15A
 Dielectric strength(抗电强度): AC2000V/1 Minute
 Insulation Resistance(绝缘电阻):1000MΩ Min
 Contact Resistance(接触电阻):20mΩ Max
 Screw Torque(扭矩): 0.4Nm (3.5Lb.in)
 Wire Range(线径):28~12AWG
 Strip length(剥线长度):7~8mm
 Temp. range(操作温度): -40℃~+105℃
 MAX Soldering(瞬时温度):+250℃,5s



Housing Material(塑件): PA66 (UL94 V-0)
 Contact(端子): Phosphor Bronze, Tin plating(磷铜镀锡)
 Clamp(方块): Brass/Steel(铜/铁), Ni plating(镀镍)
 Screw (螺丝): Steel, Zinc plating(钢,镀锌)

PITCH RANGE IN MM	NOMINAL DIMENSION RANGE				
	OVER	OVER	OVER	OVER	OVER
TO 6	10	TO 30	60	100	OVER 150
TO 10	TO 24	TO 60	TO 100	TO 150	
±0.10	±0.15	±0.25	±0.30	±0.50	±0.70

Ordering Information

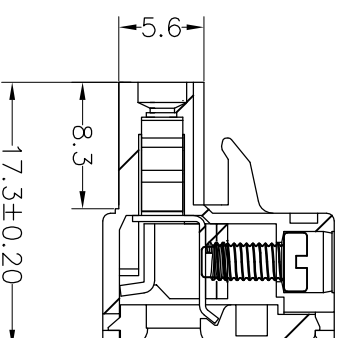
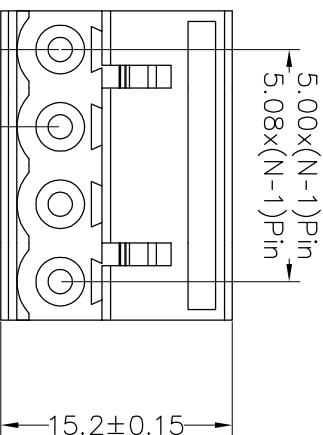
JL2EDGK - XXX XX G X 1

Pitch
 500=5.00PH
 508=5.08PH

No.of pins
 2P~24P

Housing Color
 B=Black
 G=Green
 U=Blue
 R=Red
 W=White
 Y=Yellow
 O=Orange
 E=Grey

Packing
 0=Pe bag
 A=Troy
 T=Tube



REV	DATE	MODIFICATION DESCRIPTION	CHANGE	DIM	TOL	APPROVE	SCALE	FIT	PROU.	PART NO.	TITLE:
A0	2017.01.05	NEW DRAWING		X:XXX	±0.10	CHECK	mm	A4	1/1	JL2EDGK-XXXXXXG1	5.00/5.08 Pitch Female Pluggable Terminal Blocks
1				Angle	±3°	APPROVE					

JIN 深圳市锦凌电子有限公司
 SHENZHEN JINLING ELECTRONIC CO.,LTD
 Tel: 86-755-2997-5806/5802 Fax: 86-755-2997-5992