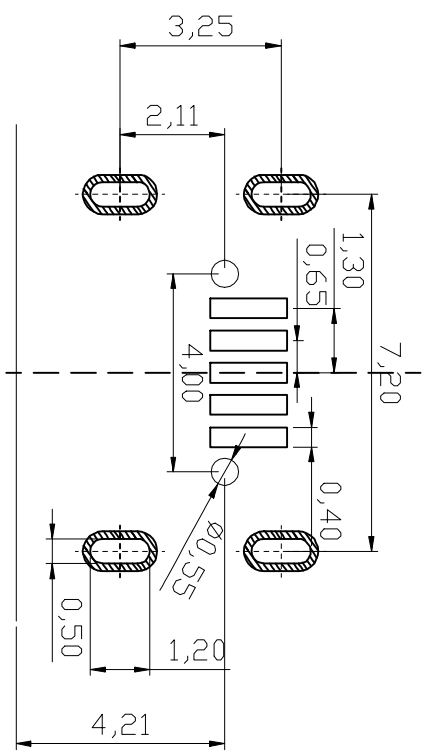
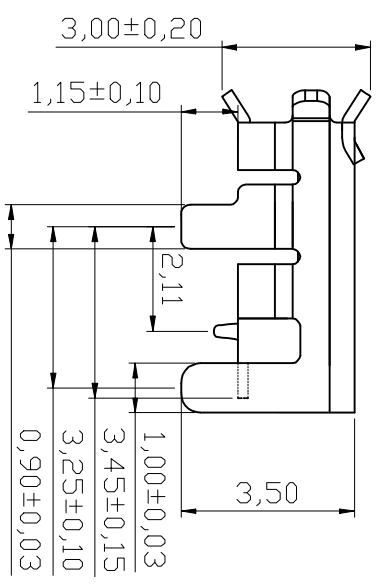
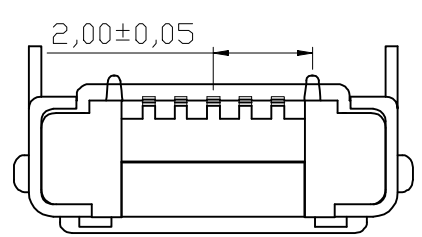
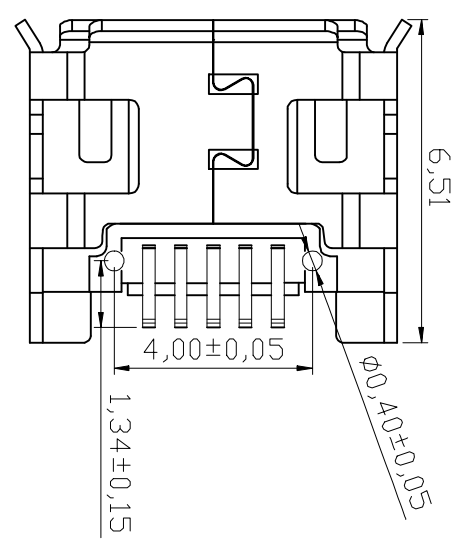
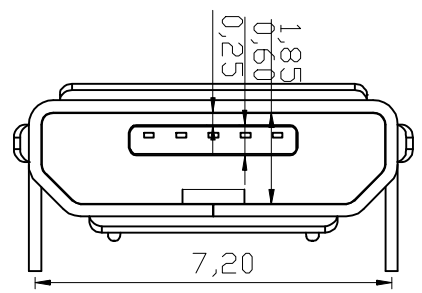
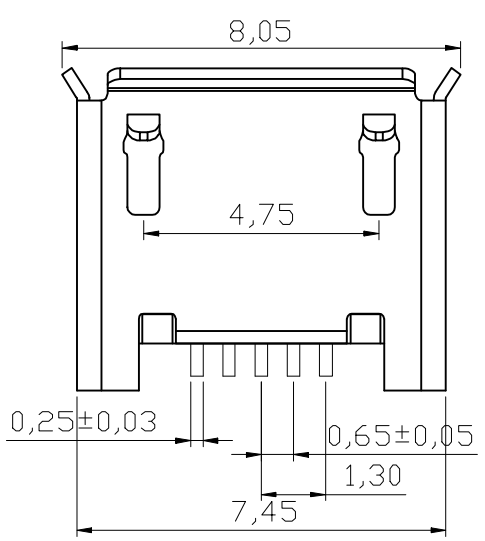


客户确认
日期



- Note:
1. Material:
 - 1.1 Housing: High temperature thermoplastic with g. f. UL94V-0
 - 1.2 Contact: copper alloy, t=0.20mm
 - 1.3 Shell: copper alloy, t=0.25mm
 2. Specification:
 - 2.1 Current rating: 1 A Max
 - 2.2 Dielectric withstanding voltage: 100V(ac) for 1 Min
 - 2.3 Contact resistance: 50mΩ Max
 - 2.4 Insulation resistance: 100MΩ Min
 - 2.5 Total mating force: 3.57kgf Max
 - 2.6 Total unmating force: 1.0kgf Min, 0.81~2.05 kgf Min
 - 2.7 Temperature range: -30℃~80℃

TOLERANCE TABLE		APPROVED:	DATE:	TITLE: Micro usb 5P 32位 SMT 四脚插板 带挂 卷边 铜
.0	±0.30	CHECKED:	DATE:	
.00	±0.20	DRAWN:	DATE:	Part No. U-MICROM5P-BF12
.000	±0.05	SXA	2019-05-21	
		DRAWN: SXA		UNIT mm
		DATE: 2019-05-21		SCALE Free
		FILE NO.		REV.
		HLMNO		

深圳市灿科盟实业有限公司
KIMTW CHANKEMENG INDUSTRY CO., LTD