

| TABLE OF CONTENTS | |
|-------------------|-------------------------------------|
| SHEET NO. | SHEET DESCRIPTION |
| 1 | NOTES AND BOM |
| 2 | CONFIGURATIONS |
| 3-4 | KEY CONFIGURATIONS |
| 5 | RECEPTACLE CONNECTOR ASSEMBLY |
| 6 | BACKSHELL NOTES |
| 7 | BACKSHELL |
| 8 | BACKSHELL CONFIGURATIONS |
| 9 | 2X10 CONNECTOR INTERFACE DEFINITION |

NOTES: VALID UNLESS OTHERWISE SPECIFIED

1. GENERAL:

- a. APPLICATION SPECIFICATION SEE: AS-33472-100
 - CONTAINS: PRODUCT INTRODUCTION, PRODUCT SUMMARY, CONNECTOR ASSEMBLY, PACKAGING INFORMATION, CONNECTOR MATING, SERVICE INSTRUCTIONS, ELECTRICAL CONTINUITY CHECKING, CRIMPING, AND TROUBLESHOOTING.
 - DESIGNED TO MATE WITH DEVICE OR CONNECTOR AS SPECIFIED IN THE MATING INTERFACE/CONNECTOR DRAWINGS CHART.
 - *DENOTES DRAWINGS THAT CAN BE ACCESSED AT <http://ewcap.uscarteams.org/>.
 - ASSEMBLY SHIPPED WITH PLR IN PRE-LOCK POSITION (SEE PLR PRE-LOCK VIEW SHEET 5).
- b. PRODUCT SPECIFICATION SEE:
 - STANDARD CONFIGURATION (STD): PS-33472-000
 - TRANSMISSION CONFIGURATION (TRNS):
 - CONTAINS SILICONE: TS-160038-0001
 - SILICONE FREE: TBD
 - UL V0 CONFIGURATION (UL V0): TBD
 - CONTAINS: PRODUCT INTRODUCTION, PRODUCT SUMMARY, RATINGS (CURRENT, TEMPERATURE, SEALING, AND FLAMMABILITY), TERMINALS, WIRE DIAMETER RANGE, PRODUCT VALIDATION, AND PRODUCT DEVIATIONS.
- c. PACKAGING SPECIFICATION PER MOLEX DRAWING: SEE PACKAGING CHART
- d. PARTS MUST BE IN COMPLIANCE TO MOLEX CHEMICAL SUBSTANCES FOR PRODUCTS AND PACKAGING SPECIFICATION: QEHS-699000-301
- e. DATA MUST BE SUBMITTED UNDER THE MOLEX PART NUMBER TO IMDS (COMPANY ID#13255)

2. DESIGN - MATERIALS:

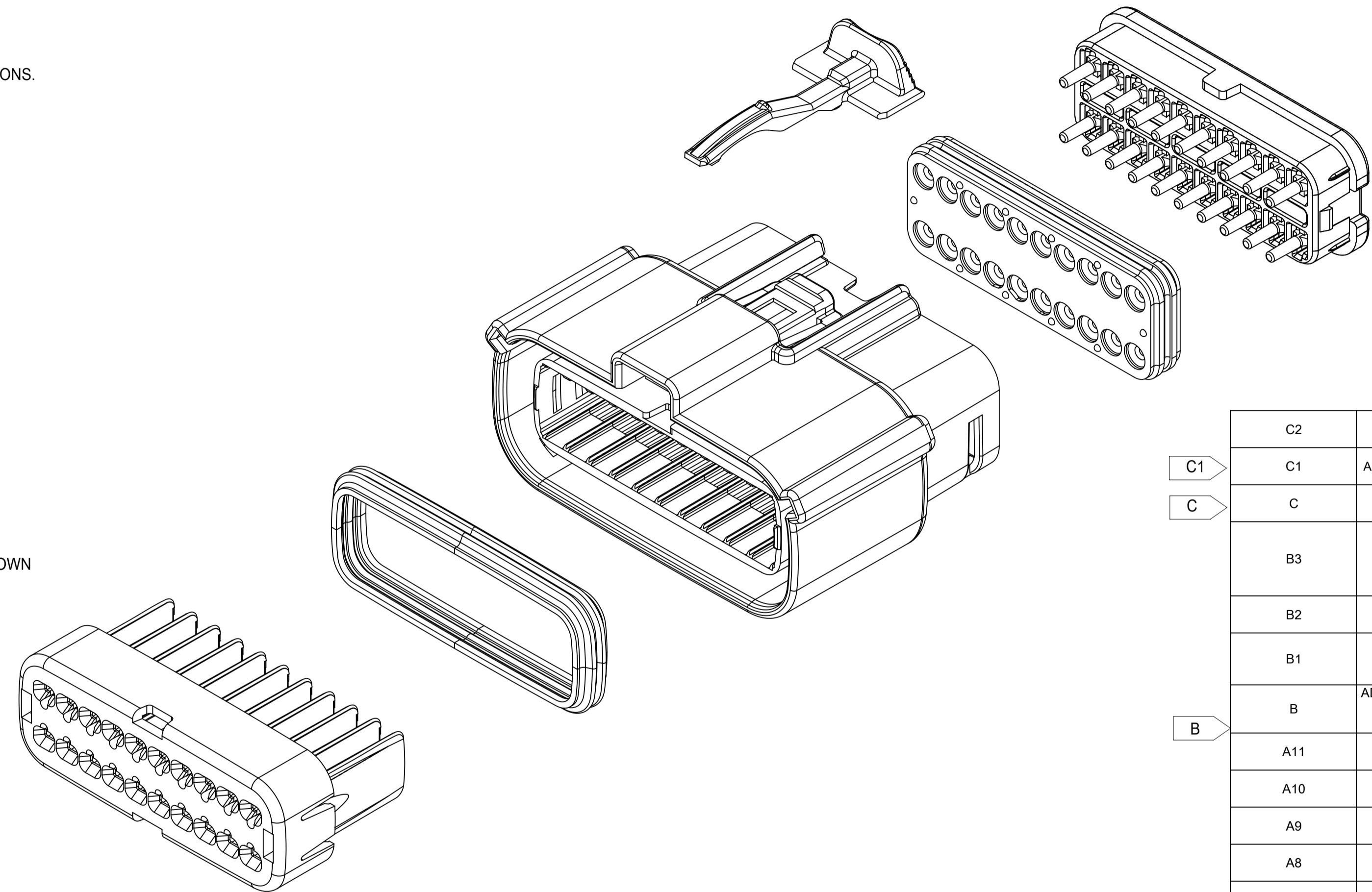
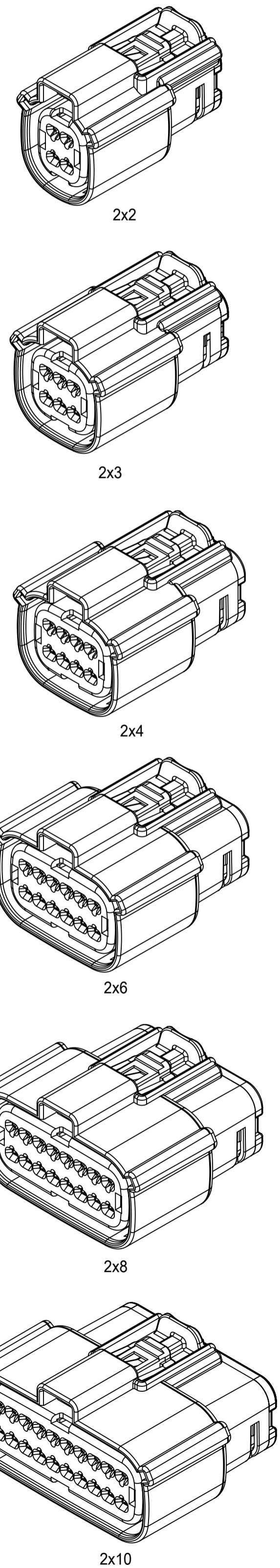
- a. FOR BILL OF MATERIALS SEE:
 - STANDARD CONFIGURATION SD-33472-0002
 - TRANSMISSION CONGRURATION
 - CONTAINS SILICONE: SD-160038-0002
 - SILICONE FREE: SD-160092-0002
 - UL V0 CONFIGURATION SD-160074-0002
- b. TRANSMISSION CONNECTOR COMPONENTS MUST MEET THE MATERIAL REQUIREMENTS SPECIFIED IN TS-160038-0001 & TBD

3. DESIGN - GEOMETRY:

- a. THE 3-D CAD DATA IS BASIC (WITHOUT TOLERANCE) AND MASTER FOR THIS PART WITH THE EXCEPTION OF UNDERLINED DIMENSIONS. DIMENSIONAL INFORMATION NOT SHOWN ON THIS DRAWING IS DEFINED BY THE DATA FILE AT ITS LATEST REVISION.
- b. GEOMETRIC DIMENSIONS AND TOLERANCES PER ASME Y14.5M-2009
- c. EDGES AND UNDIMENSIONED DETAILS PER ISO13715
- d. CORNERS SHOWN AS SHARP TO BE R 0.2 MAX.
- e. LETTERING SHALL BE 0.15 MAX RAISED IN 0.25 MAX RECESS PAD. THIS INCLUDES RECYCLING CODE, CAVITY ID, VENDOR IDENTIFICATION, AND CUSTOMER MATERIAL NUMBER.
- f. VISUAL DEFECTS SHALL MEET COSMETIC STANDARD PS-45499-002 (Class B).
- g. LASER MARKING:
 1. PART NUMBER
 2. DAY OF THE YEAR
 3. SHIFT
 4. YEAR
- FOR ADDITIONAL INFORMATION SEE SECTION 5 UNDER PROCEDURES IN ES-34735-008.
- h. 2X2 CLIP-SLOT DESIGN IS BASED ON USCAR/EWCAP 7mm CLIP SLOT EWCAP - 005 - 7
- 2X3 THRU 2X10 CLIP-SLOT DESIGN IS BASED ON USCAR/EWCAP 11mm CLIP SLOT EWCAP - 005 - 11

| DESCRIPTION | DRAWING NO. |
|-------------|--------------|
| 2X2 | PK-31300-635 |
| 2X3 | PK-31300-903 |
| 2X4 | PK-31300-903 |
| 2X6 | PK-31300-903 |
| 2X8 | PK-31300-903 |
| 2X10 | PK-31300-903 |

| MATING INTERFACE/CONNECTOR DRAWINGS | | |
|-------------------------------------|----------------------|---------------|
| DESCRIPTION | INTERFACE DEFINITION | MOLEX INLINE |
| STANDARD 2X2 | *150-S-004-2-Z02 | SD-33482-0001 |
| UL V0 2X2 | *150-S-004-2-Z02 | SD-33482-0001 |
| STANDARD 2X3 | *150-S-006-2-Z02 | SD-33482-0001 |
| TRANSMISSION 2X3 | *150-S-006-2-Z02 | N/A |
| STANDARD 2X4 | *150-S-008-2-Z02 | SD-33482-0001 |
| UL V0 2X4 | *150-S-008-2-Z02 | SD-33482-0001 |
| STANDARD 2X6 | *150-S-012-2-Z01 | SD-33482-0001 |
| UL V0 2X6 | *150-S-012-2-Z01 | SD-33482-0001 |
| STANDARD 2X8 | *150-S-016-2-Z01 | SD-33482-0001 |
| STANDARD 2X10 | SD-33472-0001 | SD-33482-0001 |
| UL V0 2X10 | SD-33472-0001 | SD-33482-0001 |



| | |
|-----|---|
| C2 | ADDED MOLEX BACKSHELL DETAILS |
| C1 | ADDED 2X6-TRNS.-WITH/WITHOUT CLIPSLOT * |
| C | ADDED 2X10-STD.-WITH CLIPSLOT * |
| B3 | ADD ROW FOR 2X6 V0 ON SHEET 5DIM3# UPDATE TO 25.0 MAX FOR V0DIM11# UPDATE TO 33.85 MAX FOR V0 |
| B2 | ADD 2X6 UL V0 CONFIGURATIONS |
| B1 | UPDATE 2X6 W/O CLIPSLOT DIM G ON TABLE OF SHEET 5 |
| B | ADDED 2X2 - STD- WITH CLIPSLOT, 2X8 - STD- WITH CLIPSLOT AND NOTE h |
| A11 | MINOR GEOMETRY CHANGE FOR UL V0 |
| A10 | UPDATED 2X4 DRAWING NUMBER |
| A9 | UPDATED 2X10 PART NUMBERS |
| A8 | UPDATED 2X3 DRAWING NUMBER |
| A7 | UPDATED 2X10 INTERFACE |
| A6 | ADDED TRANSMISSION REFERENCES |
| A5 | ADD 2X10 INTERFACE SHEETS |
| A4 | ADD UL V0 CONFIGURATIONS |
| A3 | ADDED 2X3 STD AND TRANSMISSION |
| A2 | UPDATED 2X8 BLD DRAWINGS |
| A1 | FIXED TYPO IN NOTE 1a, UPDATED 2X6 MOLEX INLINE BLADE DRAWING |
| A | INITIAL RELEASE |
| REV | REV DESCRIPTION |

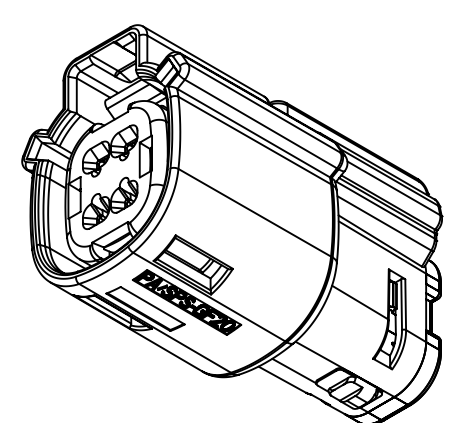
| INSPECTION NUMBER LOG | |
|-----------------------|----|
| LAST NUMBER: | 11 |
| ADDED: | 11 |
| REMOVED: | |

| SYMBOLS | | THIS DRAWING CONTAINS INFORMATION THAT IS PROPRIETARY TO MOLEX ELECTRONIC TECHNOLOGIES, LLC AND SHOULD NOT BE USED WITHOUT WRITTEN PERMISSION | | CURRENT REV DESC: | | molex | |
|---------|-----|---|-------|--|-------------------------|--|--|
| | = 0 | DIMENSION UNITS | SCALE | EC NO: | 171650 | MX150 RCPT DUAL ROW SEALED ASSEMBLY MAT SEAL PRODUCT CUSTOMER DRAWING | |
| | = 0 | mm | 1:1 | DRWN: | DDEB 2018/01/19 | | |
| | = 0 | GENERAL TOLERANCES (UNLESS SPECIFIED) | | CHK'D: | MVANSLAMBROU 2018/02/16 | | |
| | = 0 | ANGULAR TOL ± 1.0° | | APPR: | MVANSLAMBROU 2018/02/16 | DOCUMENT NUMBER: SD-33472-0001 DOC TYPE: PSD DOC PART: 001 REVISION: C2 | |
| | = 0 | 4 PLACES ± | | INITIAL REVISION: | | | |
| | = 0 | 3 PLACES ± | | DRWN: | APROFFITT 2014/05/14 | MATERIAL NUMBER: GENERAL MARKET CUSTOMER: GENERAL MARKET SHEET NUMBER: 1 OF 11 | |
| | = 0 | 2 PLACES ± 0.1 | | APPR: | VKOSHY 2014/06/27 | | |
| | = 0 | 1 PLACE ± 0.2 | | DRAFT WHERE APPLICABLE MUST REMAIN WITHIN DIMENSIONS | | THIRD ANGLE PROJECTION DRAWING: A1-SIZE SERIES: 33472 | |
| | = 0 | 0 PLACES ± | | | | | |

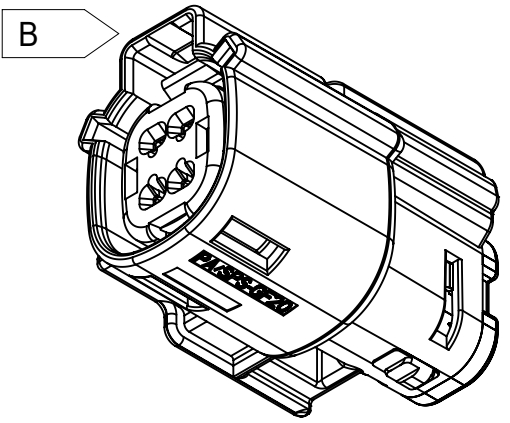
| DOCUMENT STATUS | RELEASE DATE | 2018/02/16 | 22:02:25 |
|-----------------|--------------|------------|----------|
| P1 | | | |

SHEET DESCRIPTION

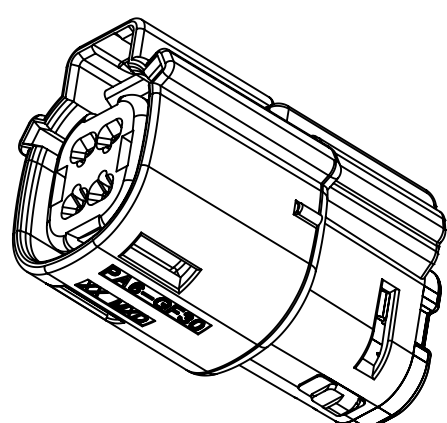
CONFIGURATIONS



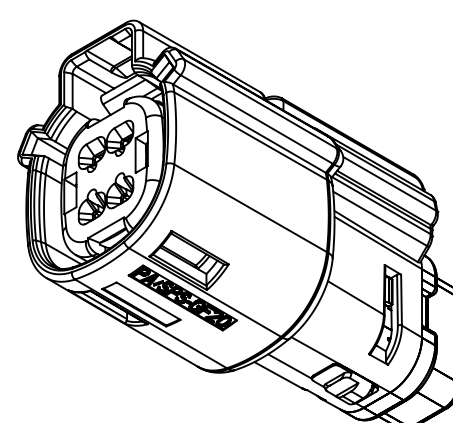
2X2 - STD.
2X2 - TRNS. - SILICONE FREE †



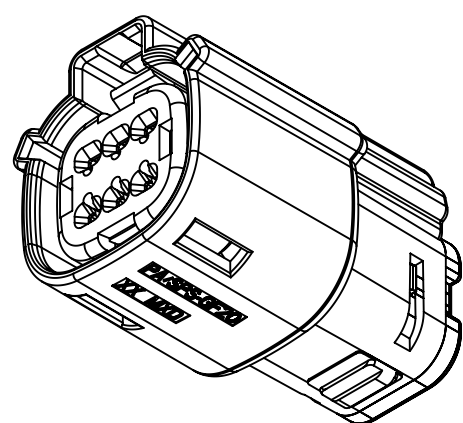
2X2 - STD. - WITH CLIPSLOT *



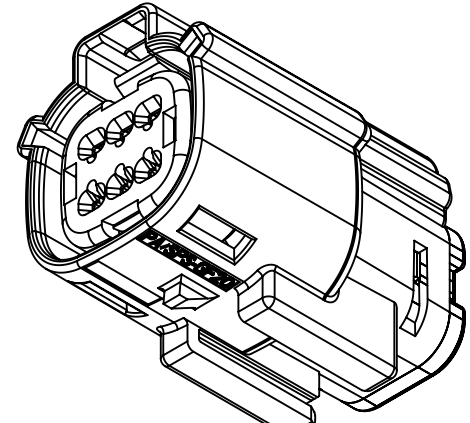
† 2X2 - UL V0



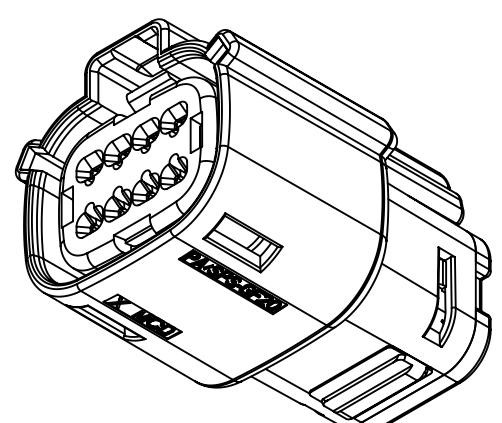
2X2 - STD. - LENGTHENED



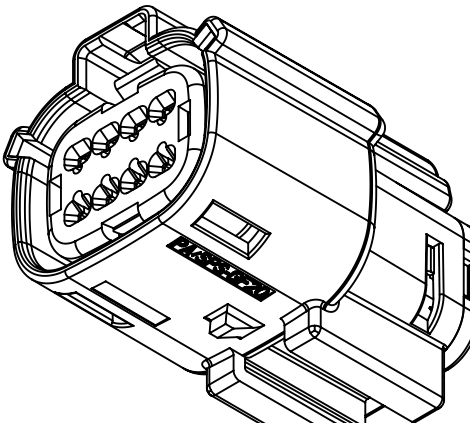
2X3 - STD.
2X3 - TRNS. - CONTAINS SILICONE †



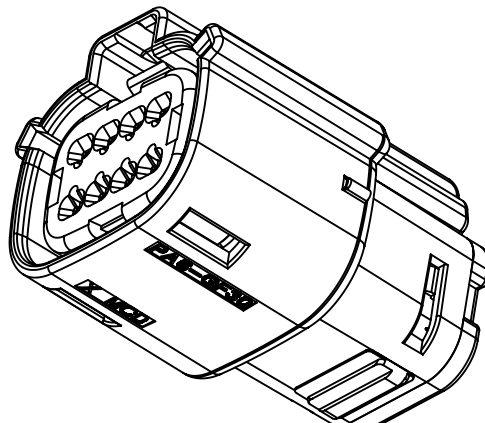
2X3 - STD. - WITH CLIPSLOT *



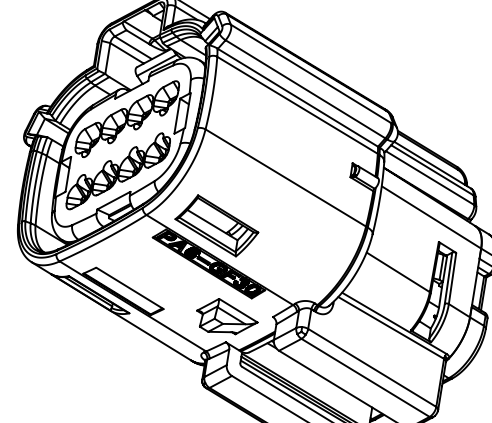
2X4 - STD.



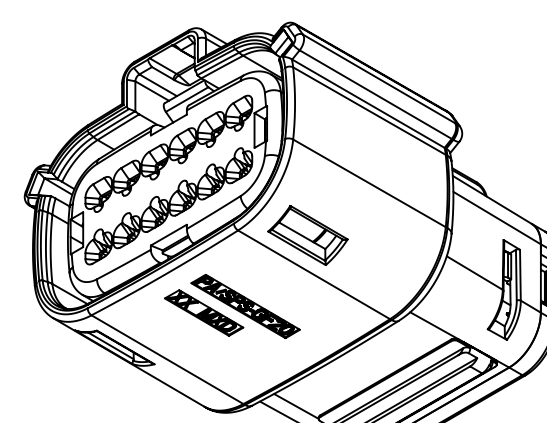
2X4 - STD. - WITH CLIPSLOT *



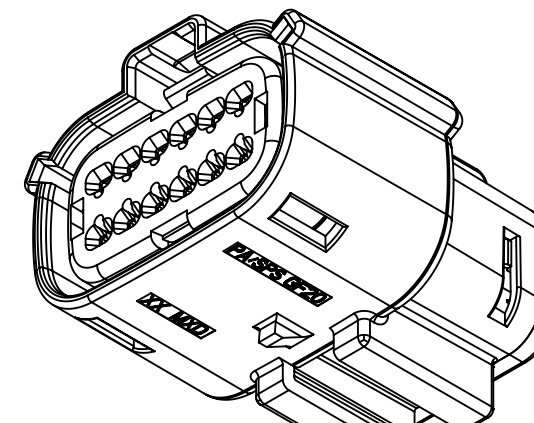
† 2X4 - UL V0



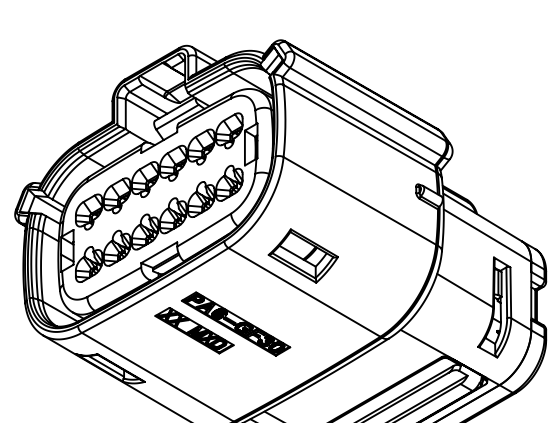
† 2X4 - UL V0-WITH CLIPSLOT*



2X6 - STD.



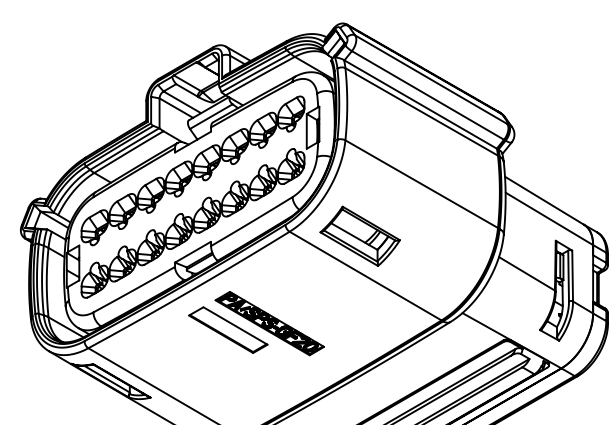
2X6 - STD. - WITH CLIPSLOT *



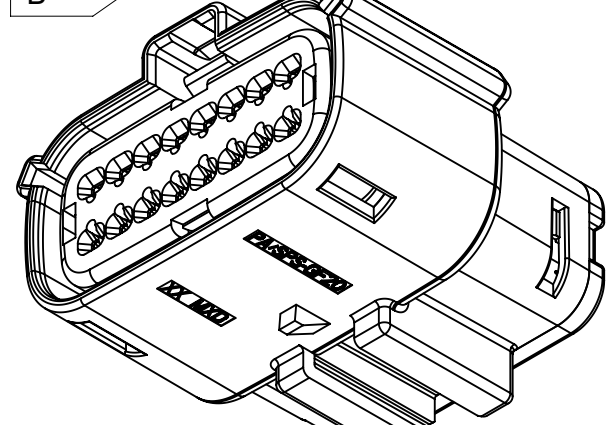
† 2X6 - UL V0

C1 † 2X6 - TRNS.

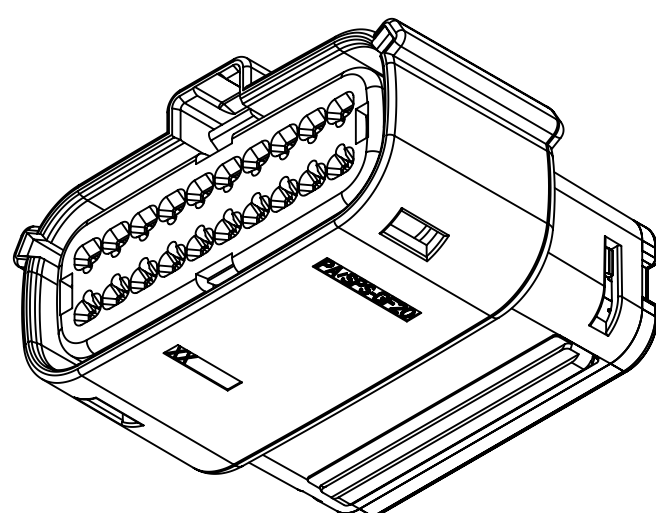
C1 † 2X6 - TRNS. - WITH CLIPSLOT *



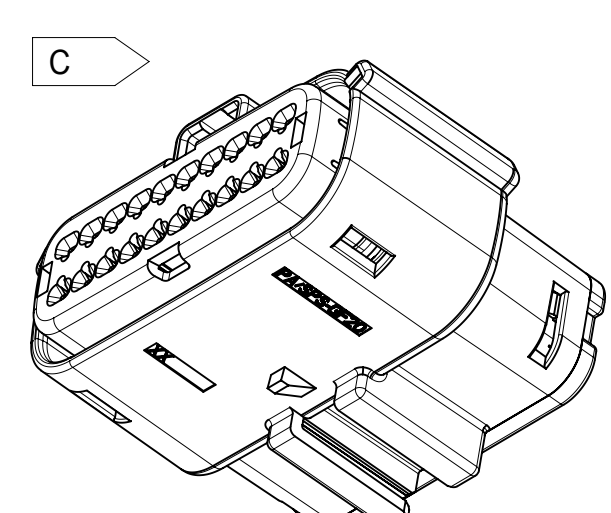
2X8 - STD.



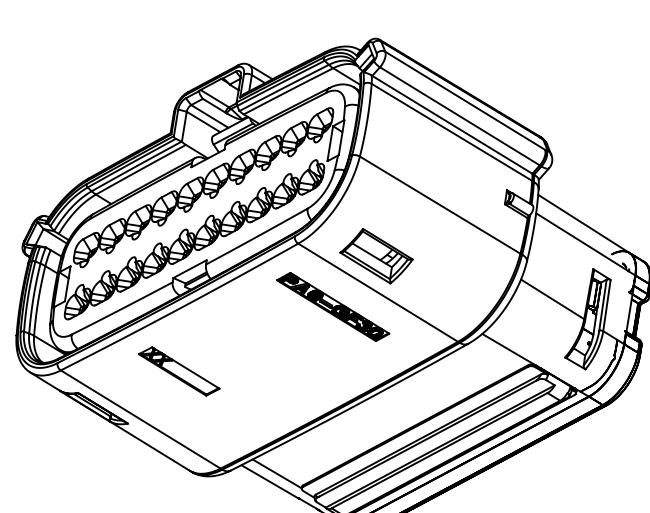
2X8 - STD. - WITH CLIPSLOT *



2X10 - STD.



2X10 - STD. - WITH CLIPSLOT *



† 2X10 - UL V0

* WITH CLIPSLOT CONFIGURATION DOES NOT MEET THE USCAR PACKAGING FRAME REQUIREMENTS
† MINOR GEOMETRY DIFFERENCE THAN STANDARD CONFIGURATION
SEE NOTES 1a & 2a-b FOR MORE INFORMATION

| SYMBOLS | | THIS DRAWING CONTAINS INFORMATION THAT IS PROPRIETARY TO MOLEX ELECTRONIC TECHNOLOGIES, LLC AND SHOULD NOT BE USED WITHOUT WRITTEN PERMISSION | | CURRENT REV DESC: | | DOCUMENT NUMBER | | DOC TYPE DOC PART REVISION | | |
|---------|-----|---|-------|--------------------------------|--|-----------------|--|--------------------------------|-----|--------------|
| | = 0 | DIMENSION UNITS | SCALE | | | SD-33472-0001 | | PSD | 001 | C2 |
| | = 0 | mm | 1:1 | | | | | | | |
| | = 0 | GENERAL TOLERANCES (UNLESS SPECIFIED) | | EC NO: 171650 | | | | | | |
| | = 0 | ANGULAR TOL ± 1.0° | | DRWN: DDEB 2018/01/19 | | | | | | |
| | = 0 | 4 PLACES | ± | CHK'D: MVANSLAMBROU 2018/02/16 | | | | | | |
| | = 0 | 3 PLACES | ± | APPR: MVANSLAMBROU 2018/02/16 | | | | | | |
| | = 0 | 2 PLACES | ± 0.1 | INITIAL REVISION: | | | | | | |
| | = 0 | 1 PLACE | ± 0.2 | DRWN: APROFFITT 2014/05/14 | | | | | | |
| | = 0 | 0 PLACES | ± | APPR: VKOSHY 2014/06/27 | | | | | | |
| | = 0 | DRAFT WHERE APPLICABLE MUST REMAIN WITHIN DIMENSIONS | | THIRD ANGLE PROJECTION | | DRAWING | | SERIES | | |
| | = 0 | | | | | A1-SIZE | | 33472 | | |
| | | | | | | MATERIAL NUMBER | | CUSTOMER | | SHEET NUMBER |
| | | | | | | | | GENERAL MARKET | | 2 OF 11 |

molex

MX150 RCPT
DUAL ROW SEALED ASSEMBLY MAT SEAL

PRODUCT CUSTOMER DRAWING

SD-33472-0001

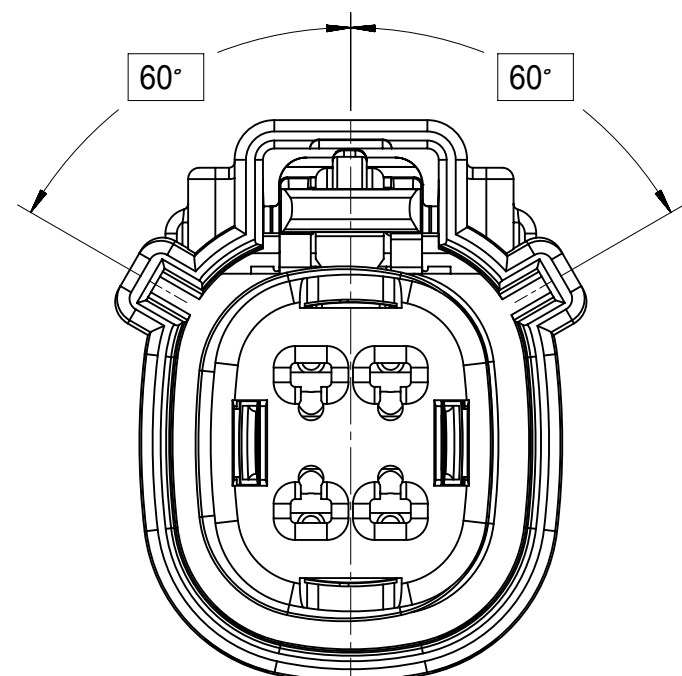
PSD 001 C2

GENERAL MARKET 2 OF 11

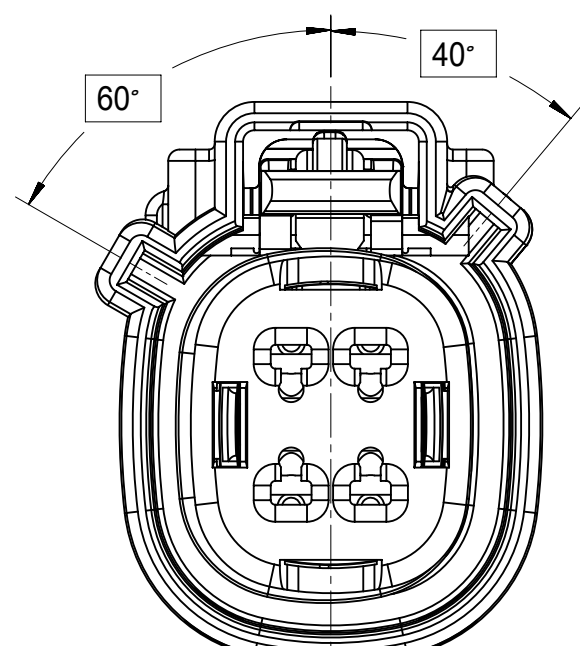
SHEET DESCRIPTION

KEY CONFIGURATIONS

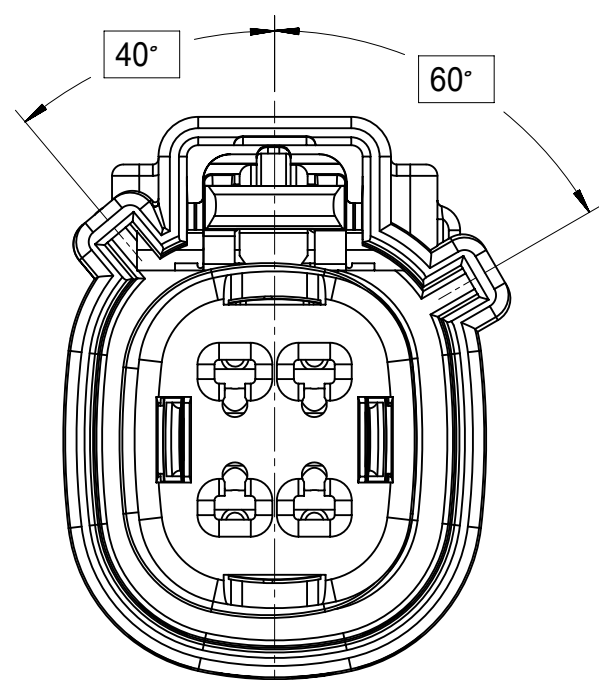
2X2



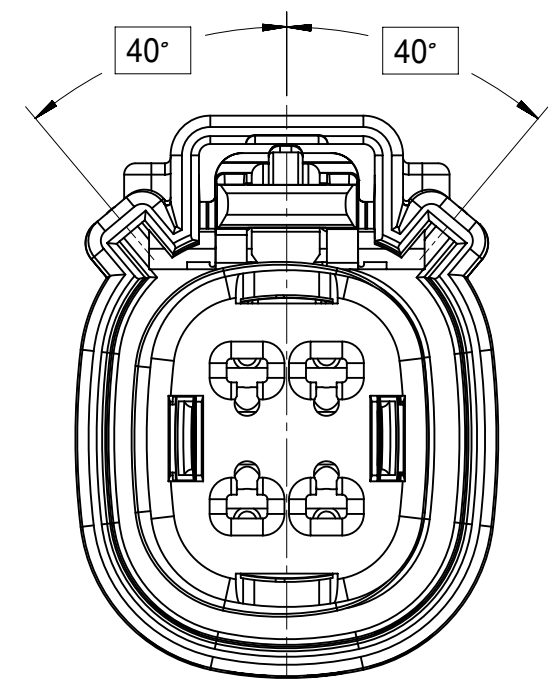
KEY A



KEY B

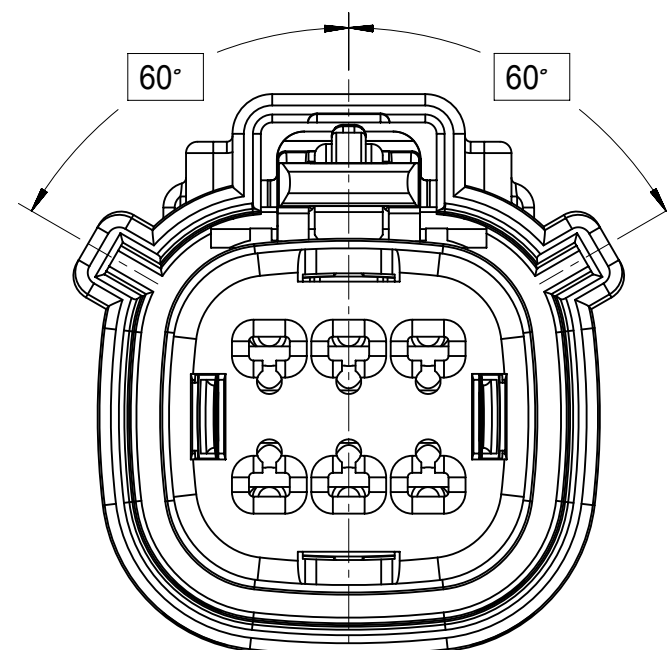


KEY C

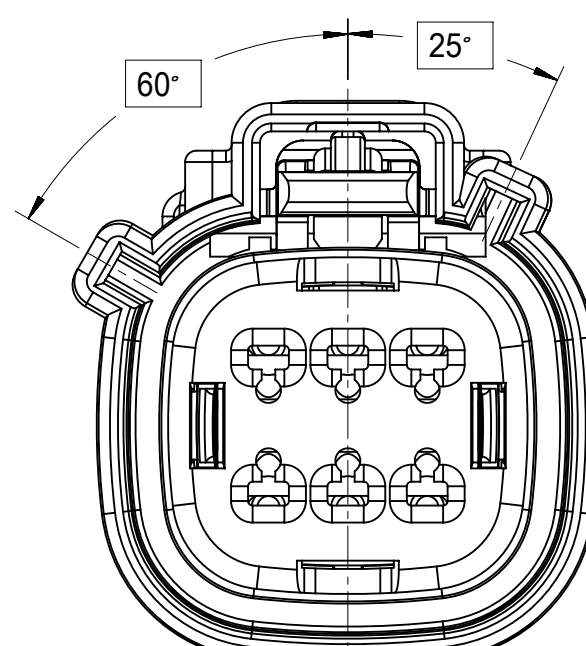


KEY D

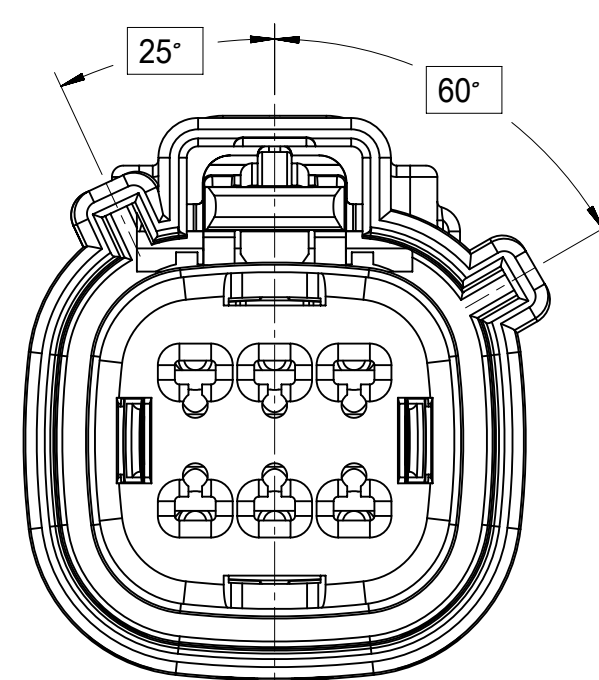
2X3



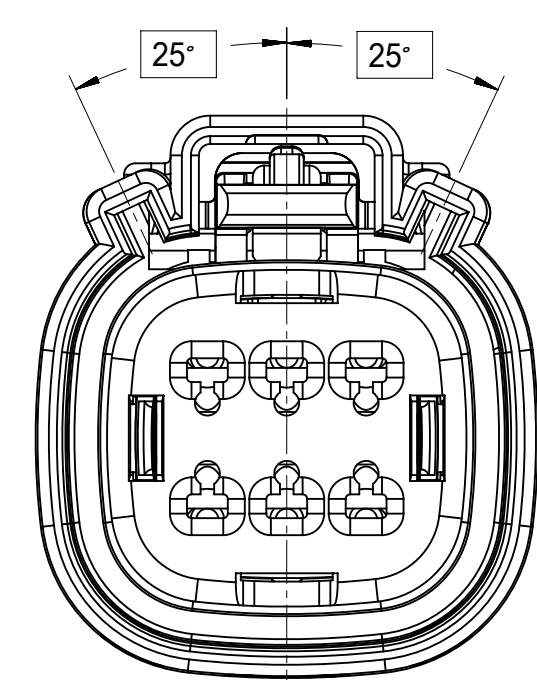
KEY A



KEY B

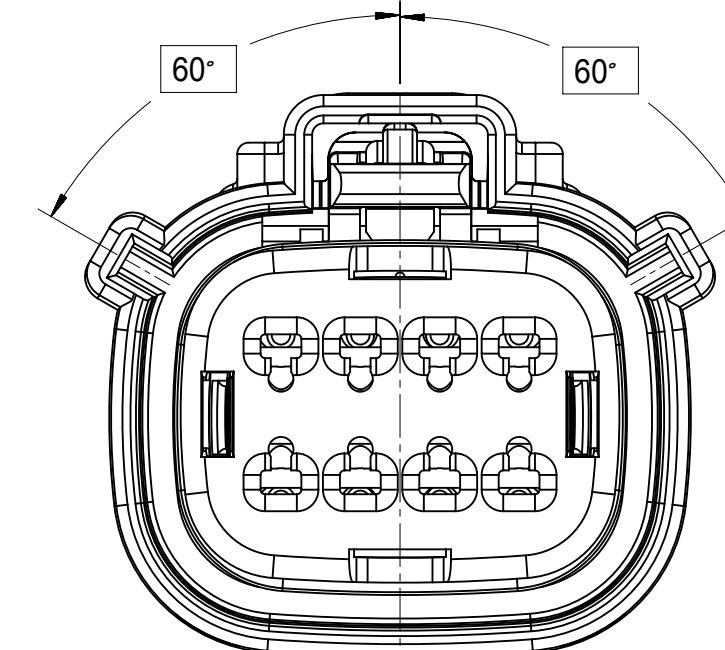


KEY C

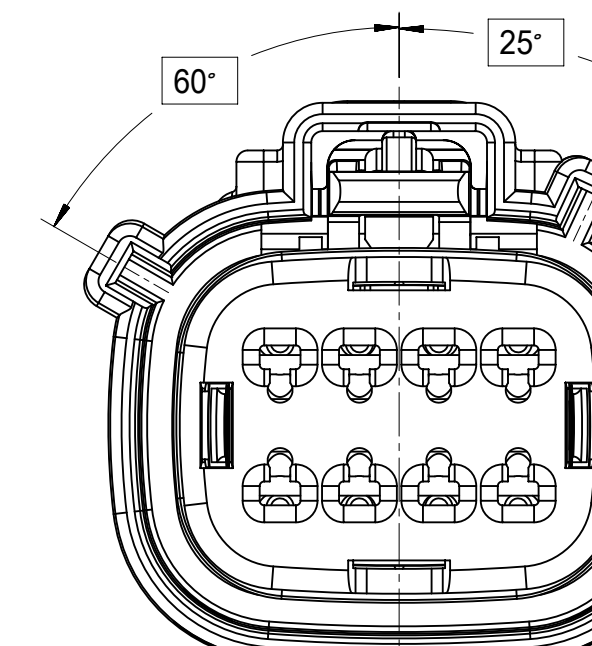


KEY D

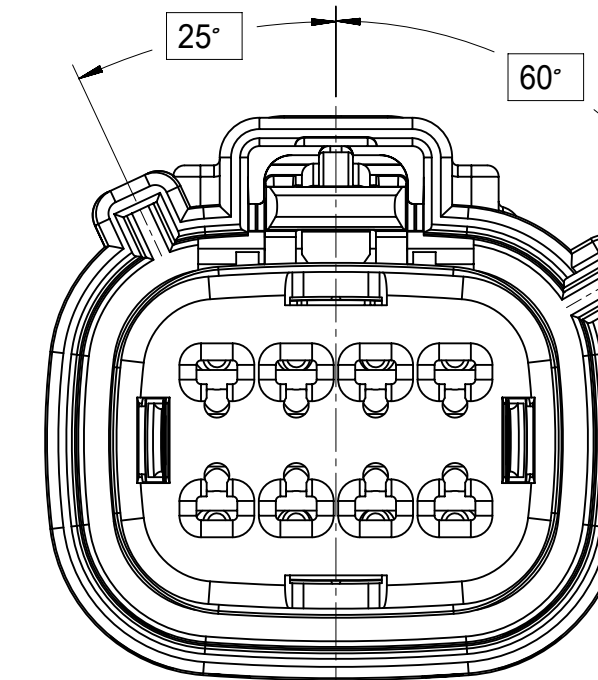
2X4



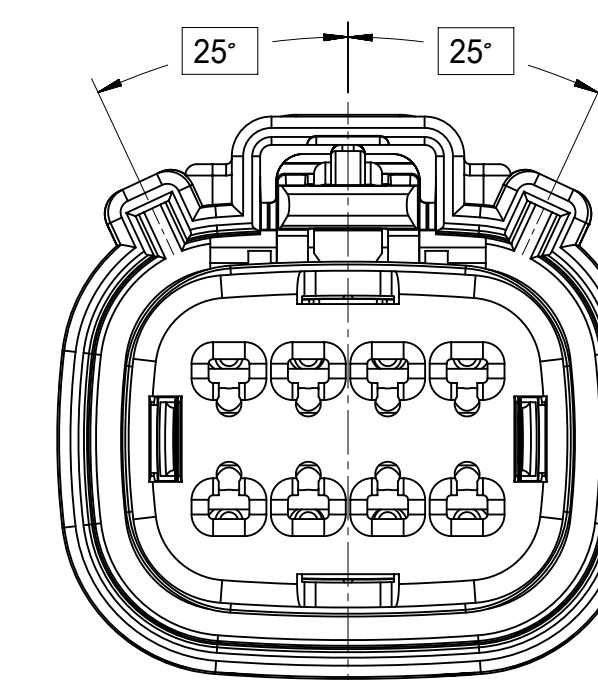
KEY A



KEY B



KEY C

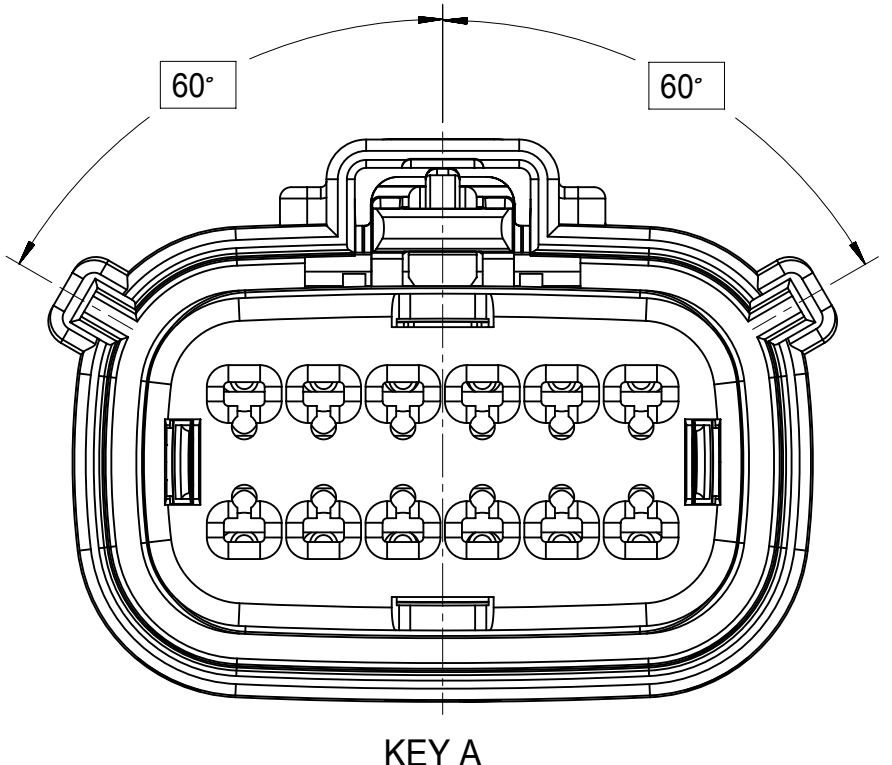


KEY D

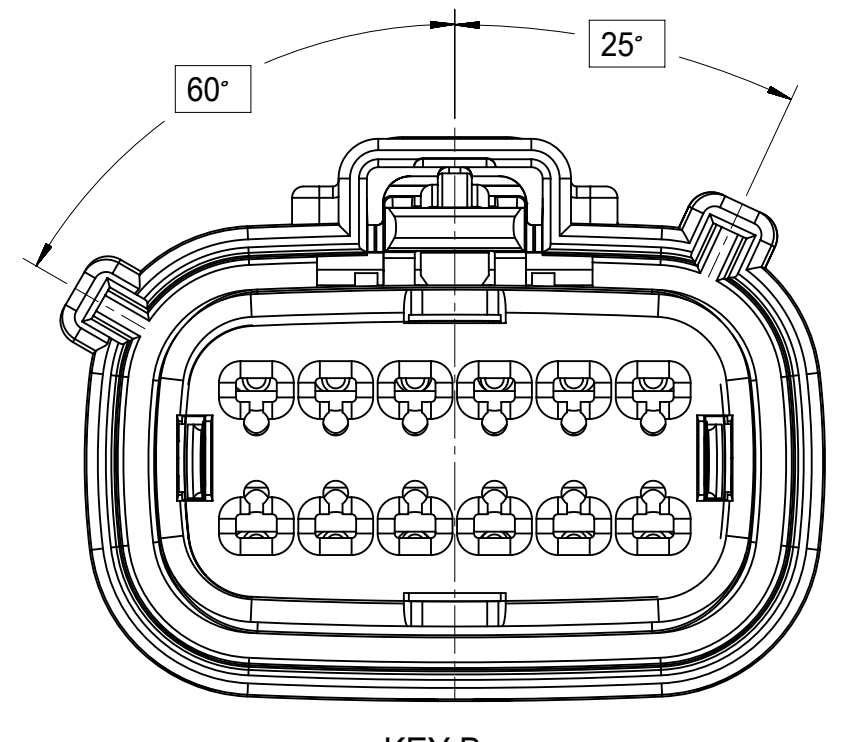
| | | | | | |
|--|--|--|---|--------------------------|--|
| SYMBOLS = 0 = 0 = 0 = 0 = 0 = 0 = 0 = 0 = 0 = 0 | THIS DRAWING CONTAINS INFORMATION THAT IS PROPRIETARY TO MOLEX ELECTRONIC TECHNOLOGIES, LLC AND SHOULD NOT BE USED WITHOUT WRITTEN PERMISSION DIMENSION UNITS: mm SCALE: 1:1 | CURRENT REV DESC: EC NO: 171650 DRWN: DDEB 2018/01/19 CHK'D: MVANSLAMBROU 2018/02/16 APPR: MVANSLAMBROU 2018/02/16 | | | |
| | GENERAL TOLERANCES (UNLESS SPECIFIED) ANGULAR TOL ± 1.0° 4 PLACES ± 3 PLACES ± 2 PLACES ± 0.1 1 PLACE ± 0.2 0 PLACES ± | INITIAL REVISION: DRWN: APROFFITT 2014/05/14 APPR: VKOSHY 2014/06/27 | DOCUMENT NUMBER: SD-33472-0001 DOC TYPE: PSD DOC PART: 001 REVISION: C2 | PRODUCT CUSTOMER DRAWING | MATERIAL NUMBER: 33472 CUSTOMER: GENERAL MARKET SHEET NUMBER: 3 OF 11 |

SHEET DESCRIPTION
KEY CONFIGURATIONS CONT.

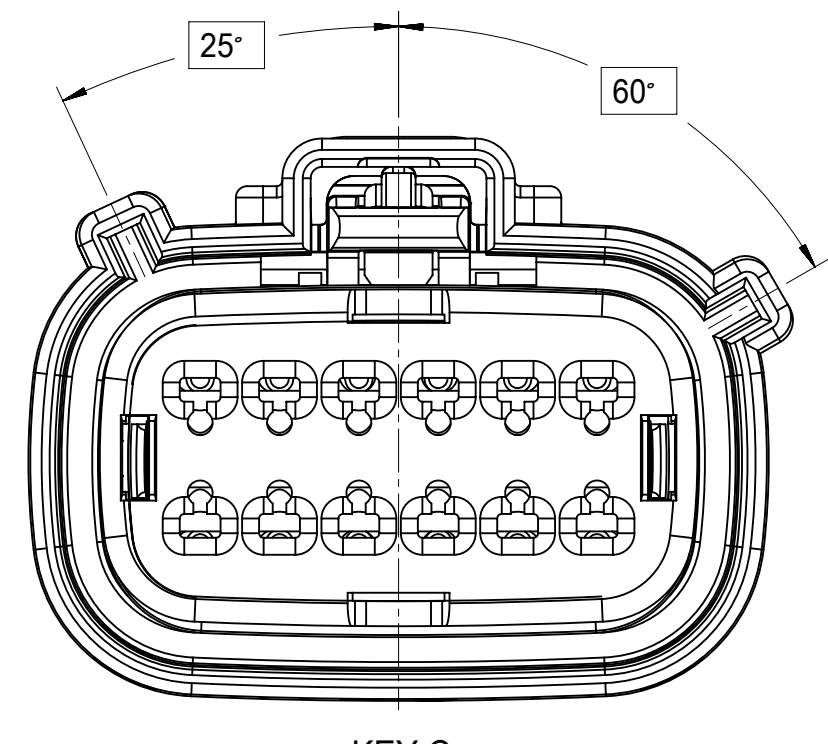
2X6



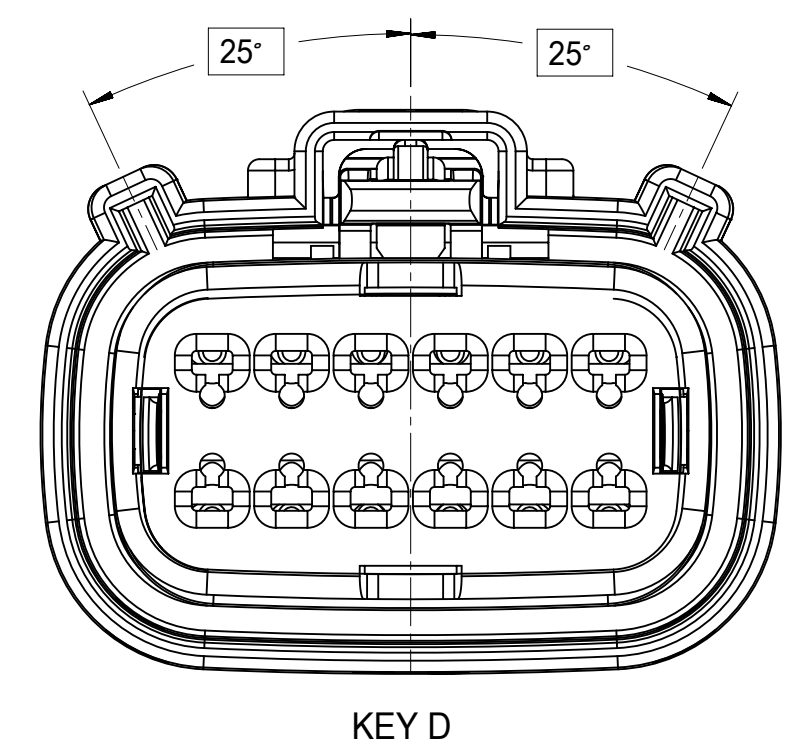
KEY A



KEY B

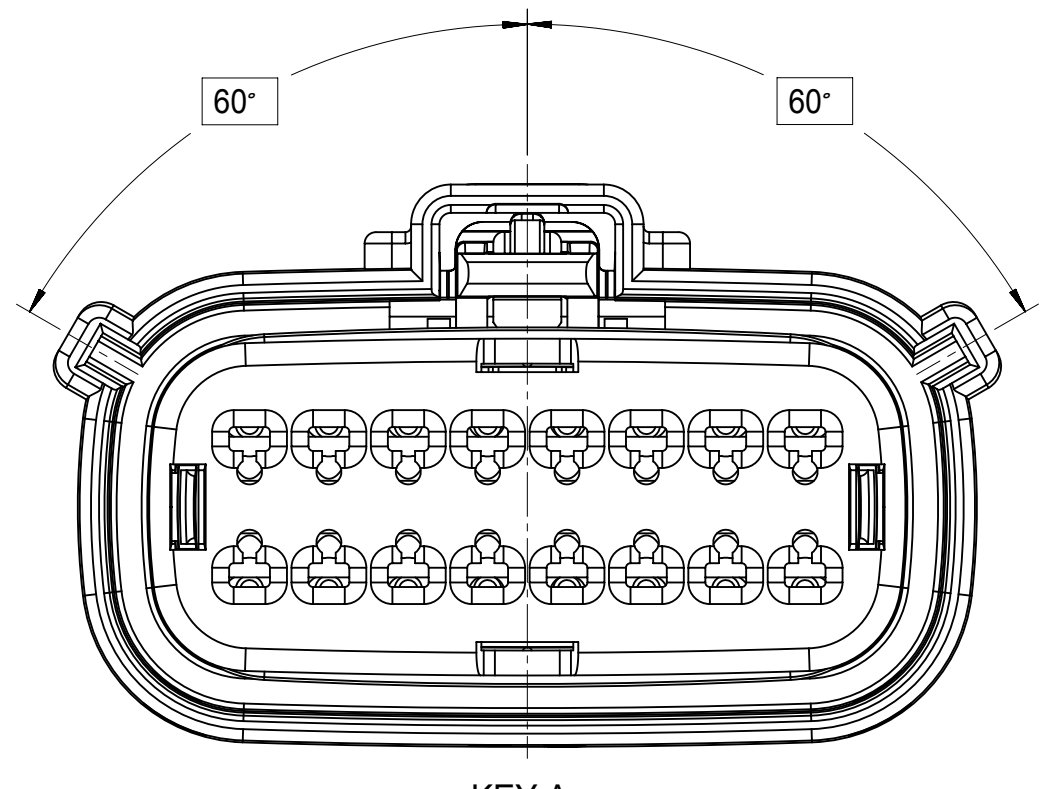


KEY C

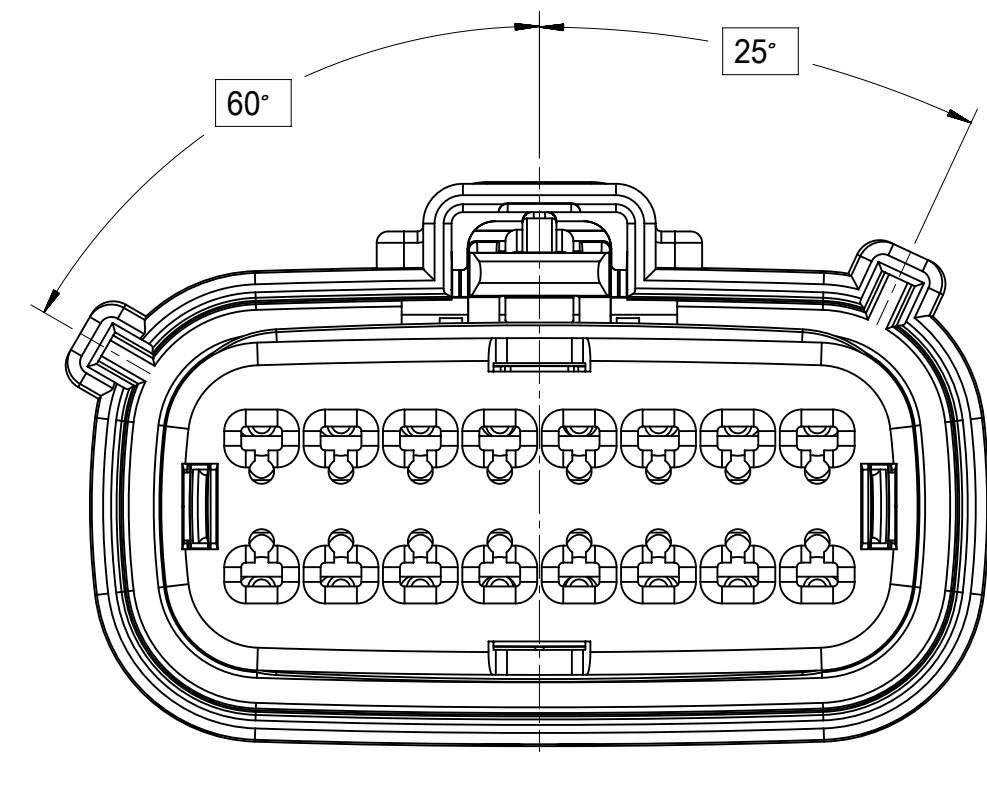


KEY D

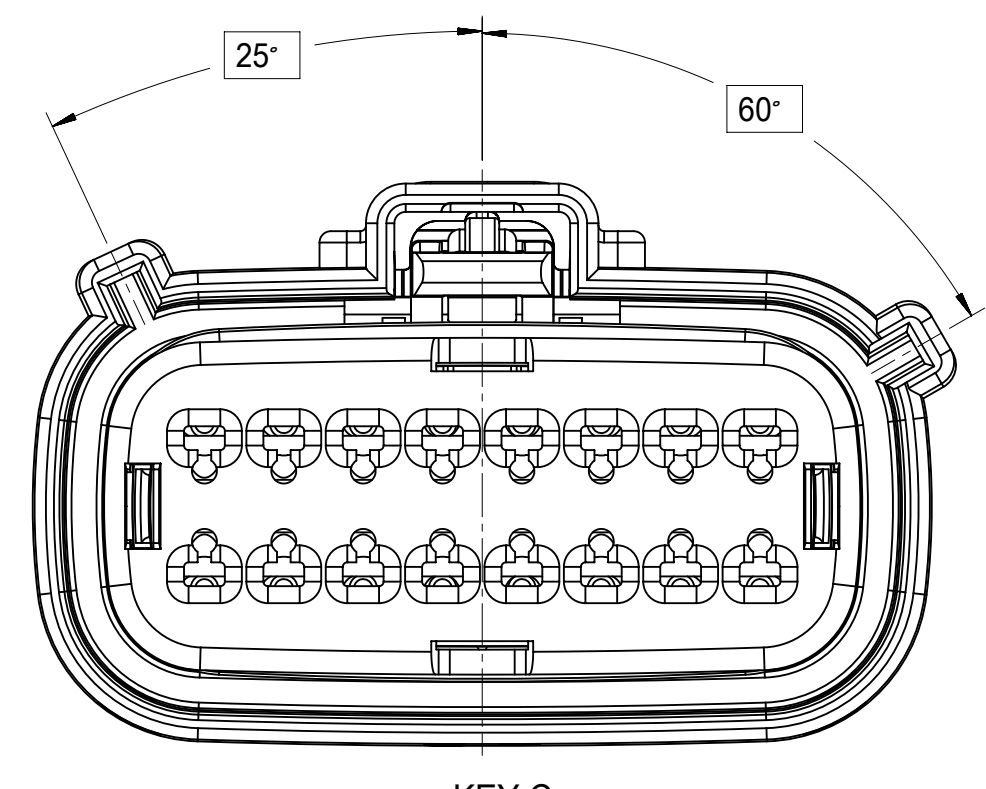
2X8



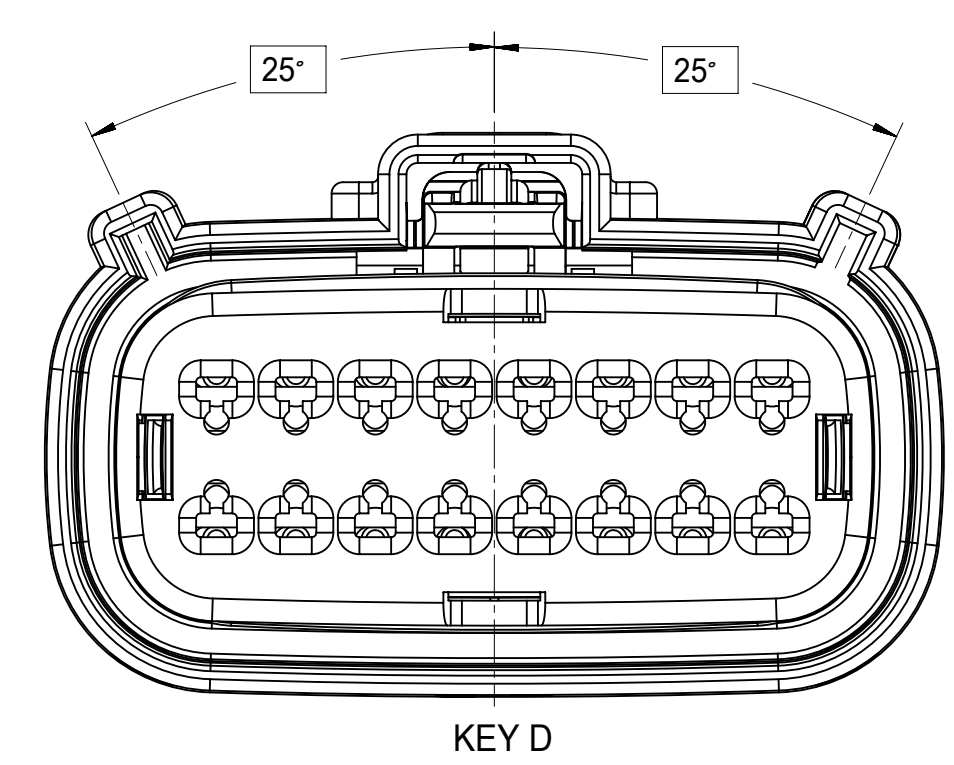
KEY A



KEY B

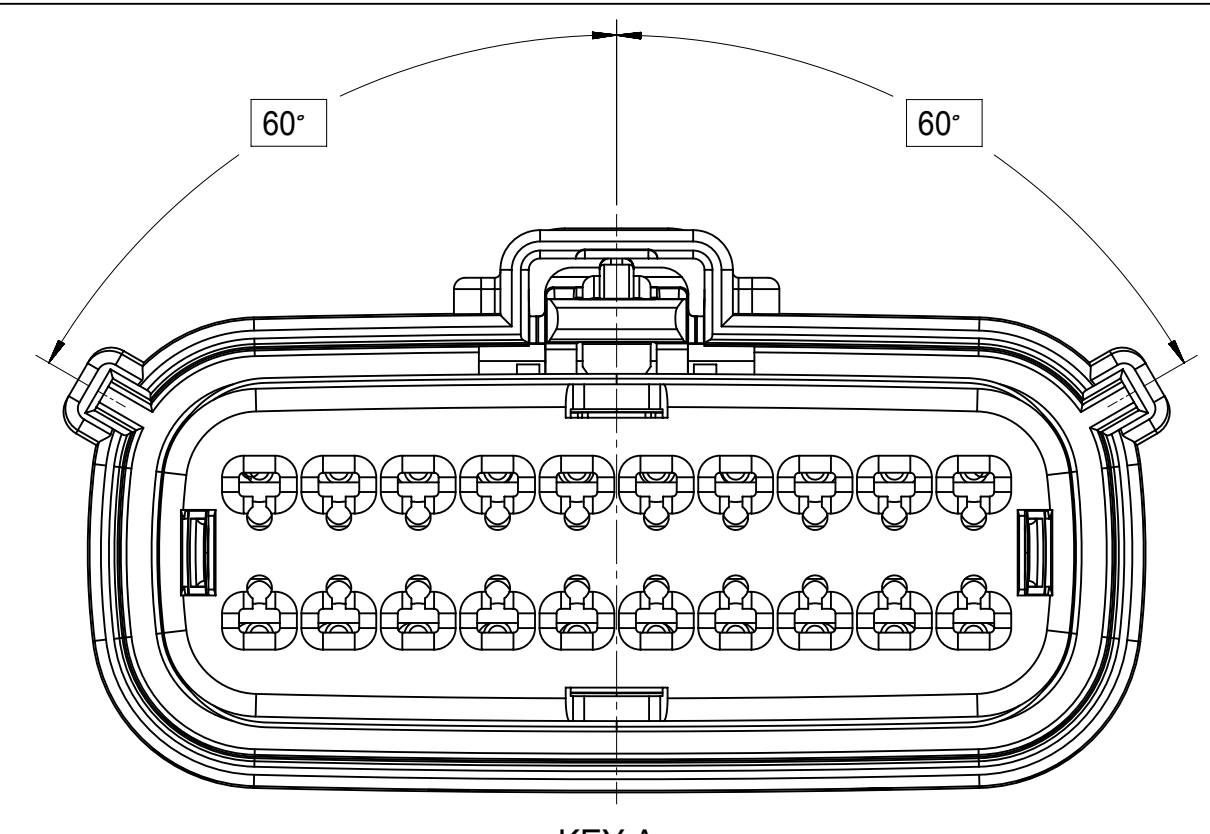


KEY C

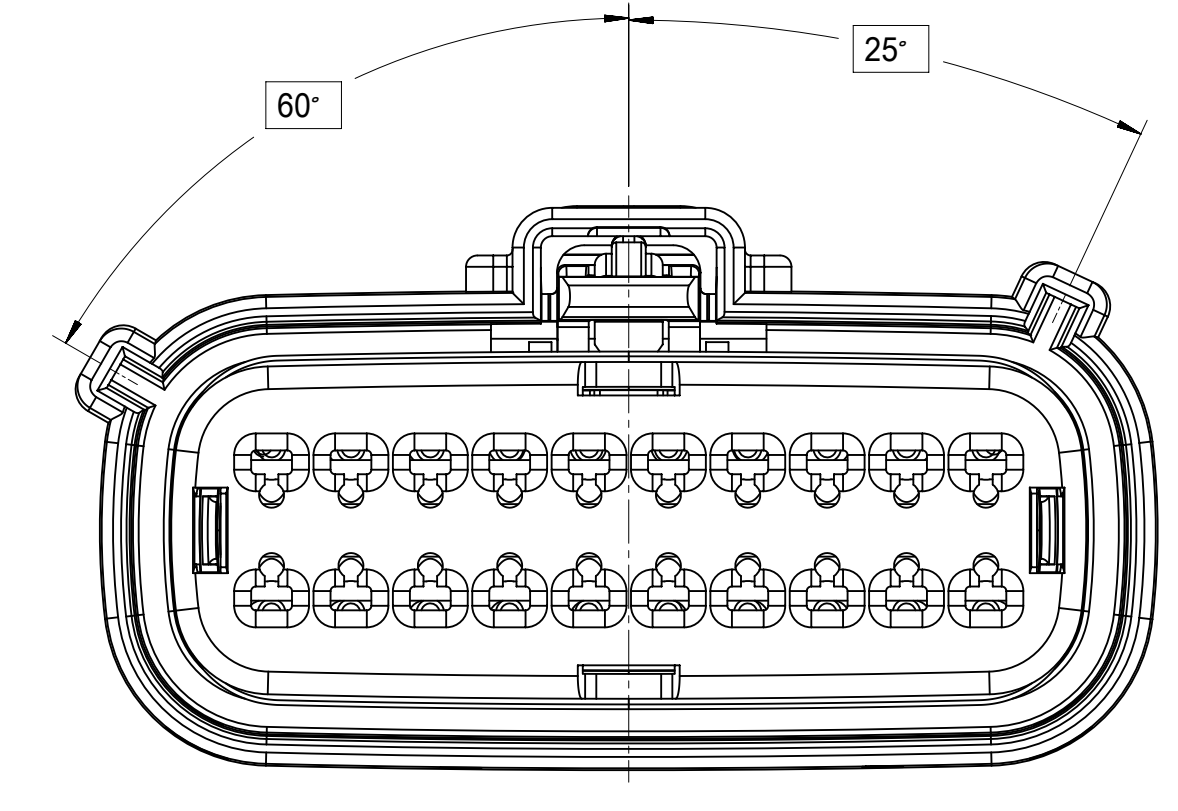


KEY D

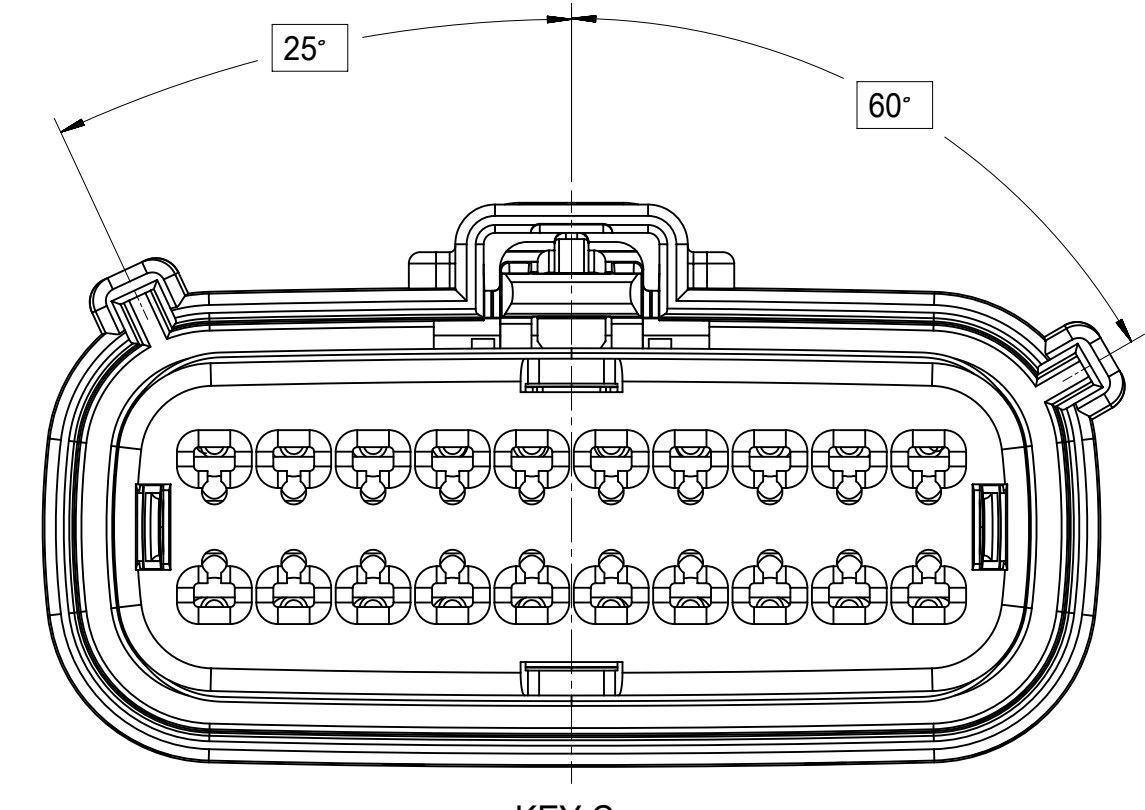
2X10



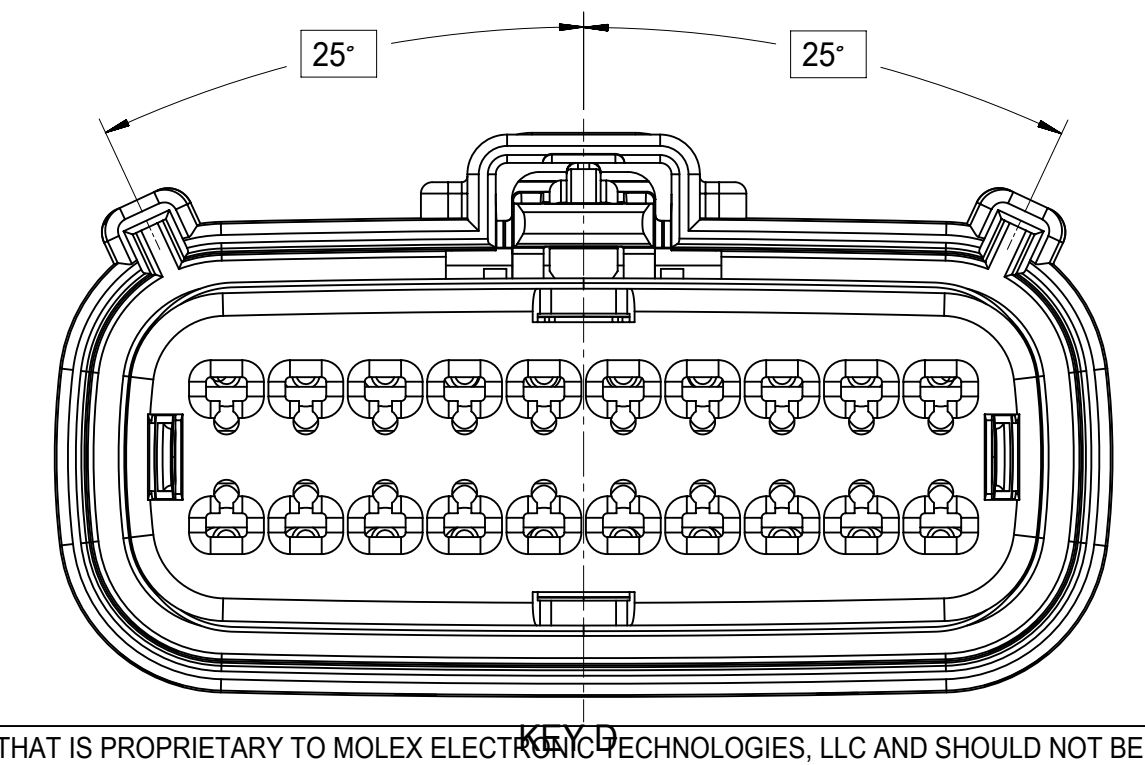
KEY A



KEY B



KEY C



KEY D

| | | |
|--|---|--|
| SYMBOLS = 0 = 0 = 0 = 0 = 0 = 0 = 0 = 0 = 0 = 0 = 0 = 0 | THIS DRAWING CONTAINS INFORMATION THAT IS PROPRIETARY TO MOLEX ELECTRONIC TECHNOLOGIES, LLC AND SHOULD NOT BE USED WITHOUT WRITTEN PERMISSION | |
| | DIMENSION UNITS: mm SCALE: 1:1 | CURRENT REV DESC: |
| GENERAL TOLERANCES (UNLESS SPECIFIED) ANGULAR TOL ± 1.0° | EC NO: 171650 DRWN: DDEB 2018/01/19 CHK'D: MVANSLAMBROU 2018/02/16 APPR: MVANSLAMBROU 2018/02/16 | |
| 4 PLACES ± 3 PLACES ± 2 PLACES ± 0.1 1 PLACE ± 0.2 0 PLACES ± | INITIAL REVISION: DRWN: APROFFITT 2014/05/14 APPR: VKOSHY 2014/06/27 | |
| DRAFT WHERE APPLICABLE MUST REMAIN WITHIN DIMENSIONS | THIRD ANGLE PROJECTION | DRAWING SERIES: A1-SIZE 33472 |
| DOCUMENT STATUS: P1 RELEASE DATE: 2018/02/16 22:02:25 | | DOCUMENT NUMBER: SD-33472-0001 DOC TYPE: PSD DOC PART: 001 REVISION: C2 |
| MATERIAL NUMBER: | | CUSTOMER: GENERAL MARKET SHEET NUMBER: 4 OF 11 |

molex

MX150 RCPT
DUAL ROW SEALED ASSEMBLY MAT SEAL

PRODUCT CUSTOMER DRAWING

DOCUMENT NUMBER: SD-33472-0001 | DOC TYPE: PSD | DOC PART: 001 | REVISION: C2

MATERIAL NUMBER: A1-SIZE 33472

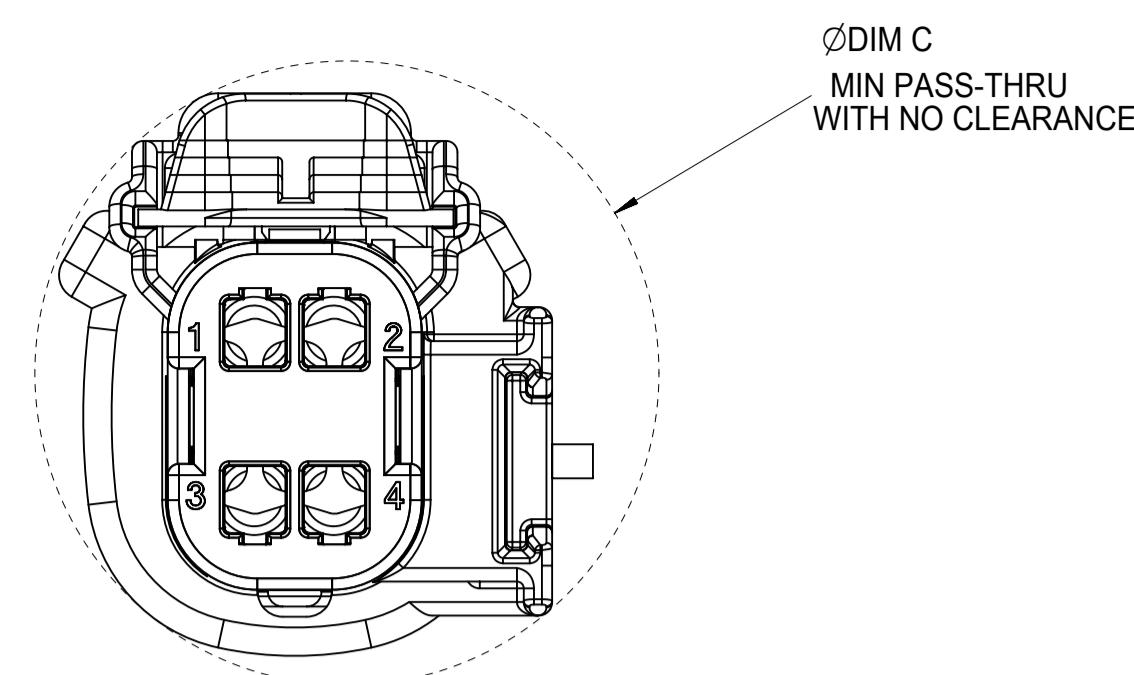
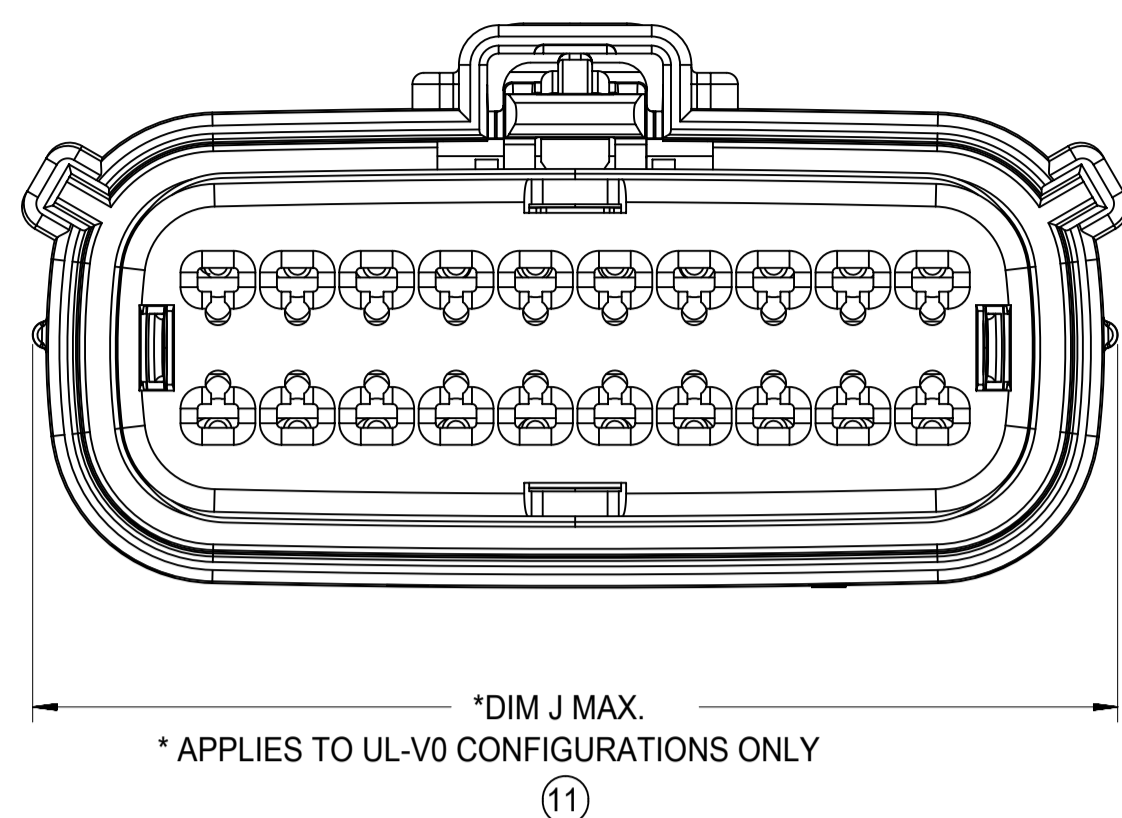
CUSTOMER: GENERAL MARKET | SHEET NUMBER: 4 OF 11

SHEET DESCRIPTION

RECEPTACLE CONNECTOR ASSEMBLY

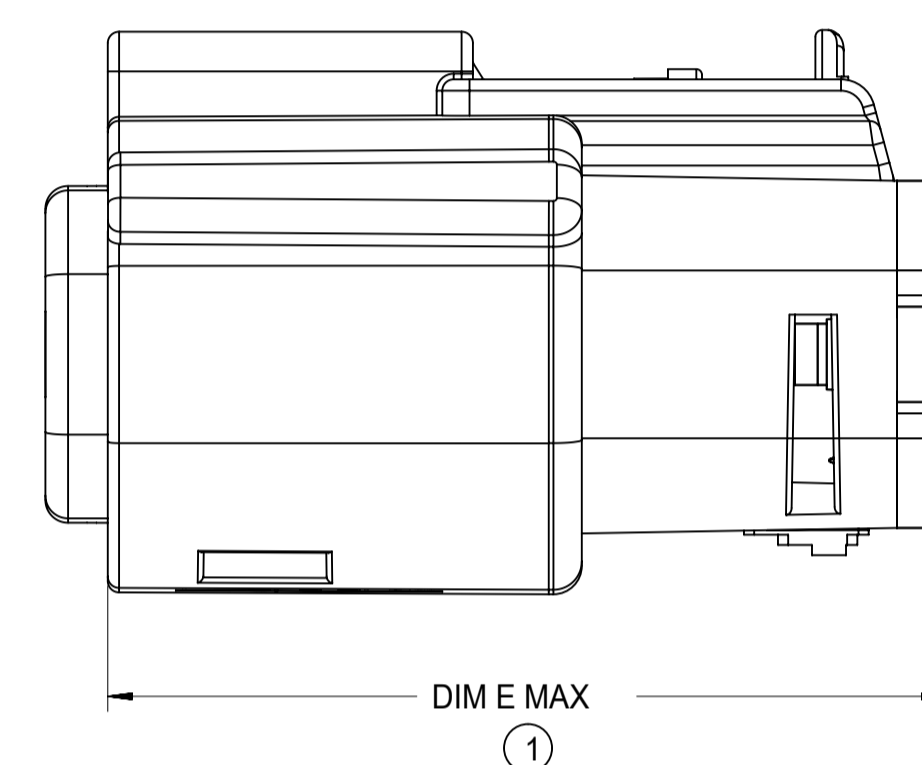
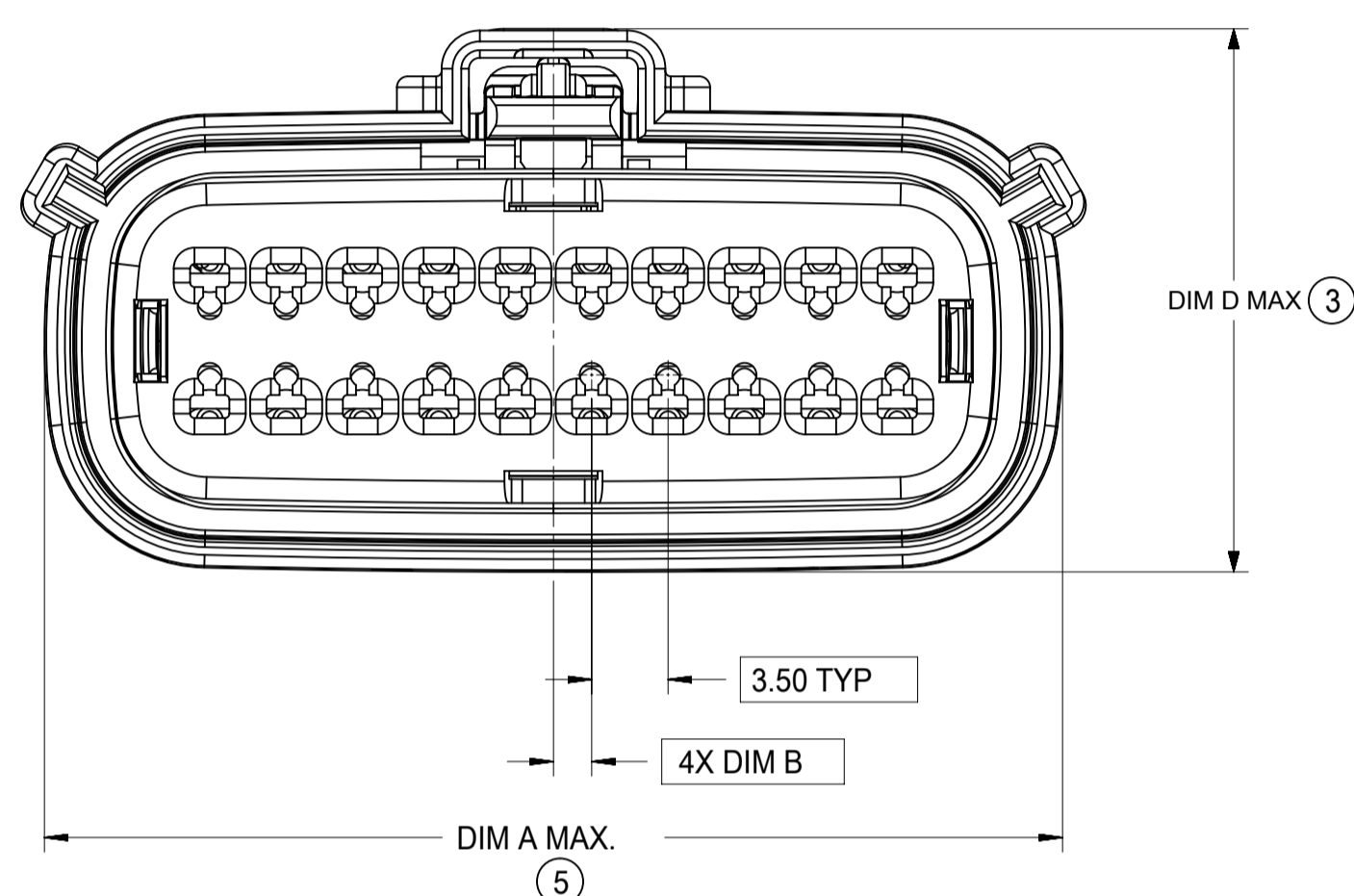
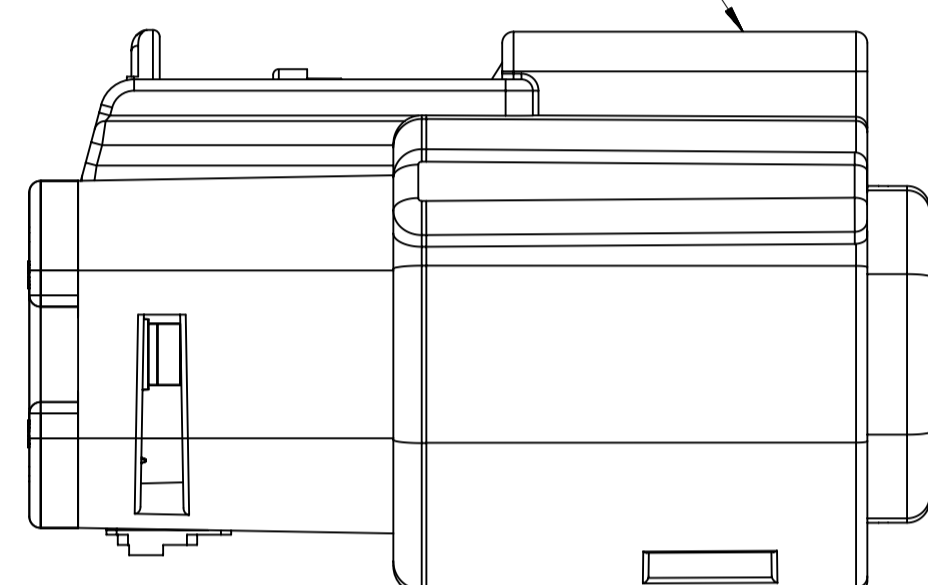
CHARTED DIMENSIONS

| DESCRIPTION | DIMENSIONS | | | | | | |
|---------------------|------------|------|-------|-------|-------|-------|-----------|
| | A | B | C | D | E | F | J |
| 2X2 W/O CLIPSLOT | 18.58 | 1.75 | 25.45 | 24.81 | 37.65 | N/A | 2.75±0.50 |
| 2X2 W/ CLIPSLOT | 18.58 | 1.75 | 27.65 | 24.81 | 37.65 | N/A | 2.75±0.50 |
| 2X2 LENGTHENED | 18.58 | 1.75 | 25.45 | 24.81 | 42.25 | N/A | 2.75±0.50 |
| 2X3 W/ CLIPSLOT | 22.25 | 3.5 | 30.50 | N/A | 37.65 | 27.96 | 4.0±0.4 |
| 2X3 W/O CLIPSLOT | 22.25 | 3.5 | 26.24 | 24.90 | 37.65 | N/A | 4.0±0.4 |
| 2X4 W/ CLIPSLOT | 25.75 | 1.75 | 31.50 | N/A | 37.65 | 28.00 | 2.75±0.50 |
| 2X4 W/O CLIPSLOT | 25.75 | 1.75 | 29.19 | 24.81 | 37.65 | N/A | 2.75±0.50 |
| 2X6 W/ CLIPSLOT | 32.75 | 1.75 | 35.58 | N/A | 37.65 | 27.76 | 2.75±0.50 |
| 2X6 W/O CLIPSLOT | 32.75 | 1.75 | 35.58 | 24.90 | 37.65 | N/A | 2.75±0.50 |
| 2X6 W/O CLIPSLOT V0 | 32.75 | 1.75 | 35.58 | 25.0 | 37.65 | N/A | 2.75±0.50 |
| 2X8 W/O CLIPSLOT | 39.80 | 1.75 | 42.25 | 24.90 | 37.65 | N/A | 4.0±0.4 |
| 2X8 W/ CLIPSLOT | 39.80 | 1.75 | 42.25 | N/A | 37.65 | 27.80 | 4.0±0.4 |
| 2X10 W/O CLIPSLOT | 46.75 | 1.75 | 49.95 | 24.90 | 37.65 | N/A | 2.75±0.50 |
| 2X10 W/ CLIPSLOT | 46.75 | 1.75 | 49.95 | N/A | 37.65 | 27.80 | 2.75±0.50 |

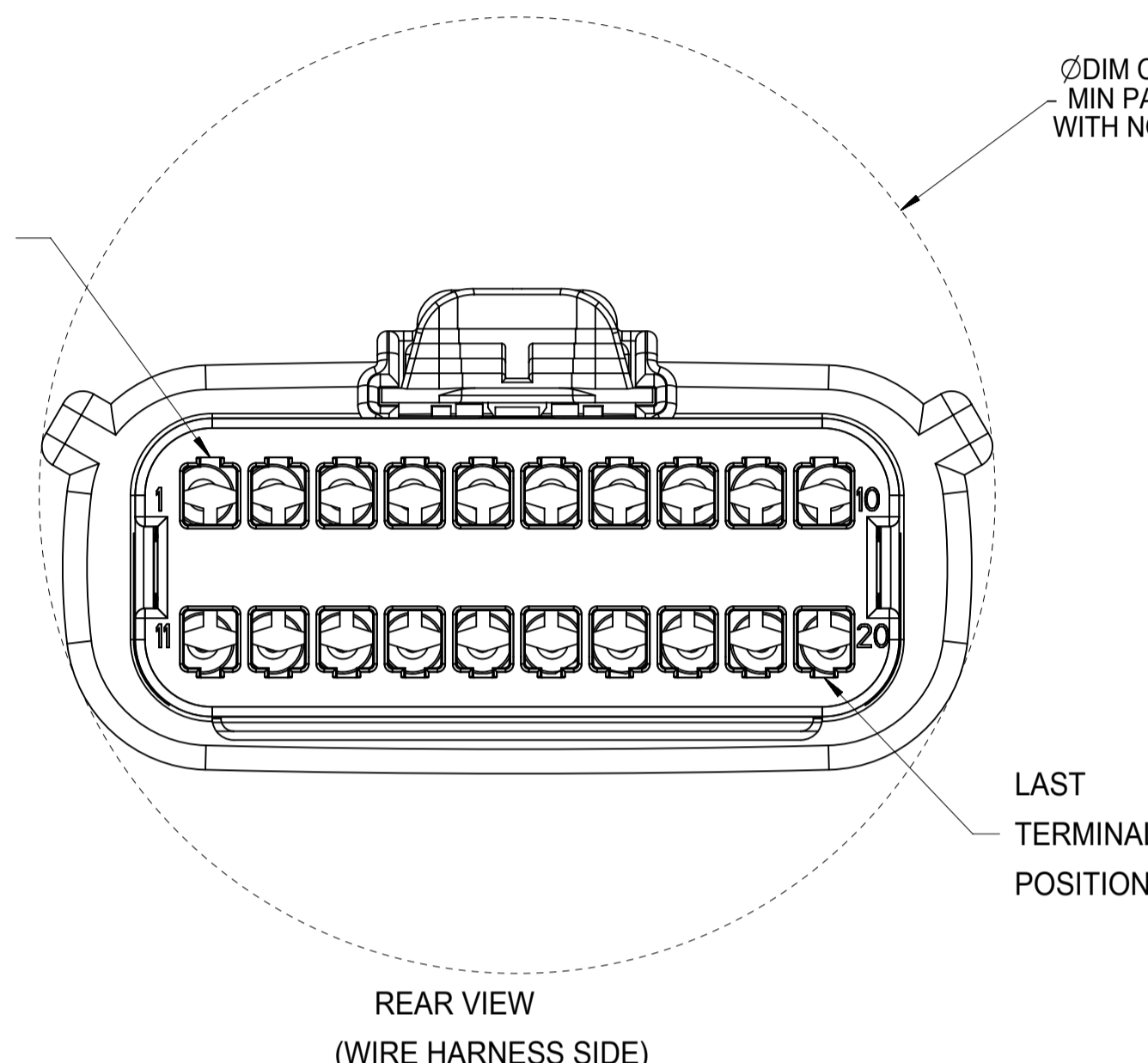


B APPLIES TO 2X2 - STD. - WITH CLIPSLOT ONLY

LASER MARKING ON THIS SURFACE
SEE NOTE 3g.



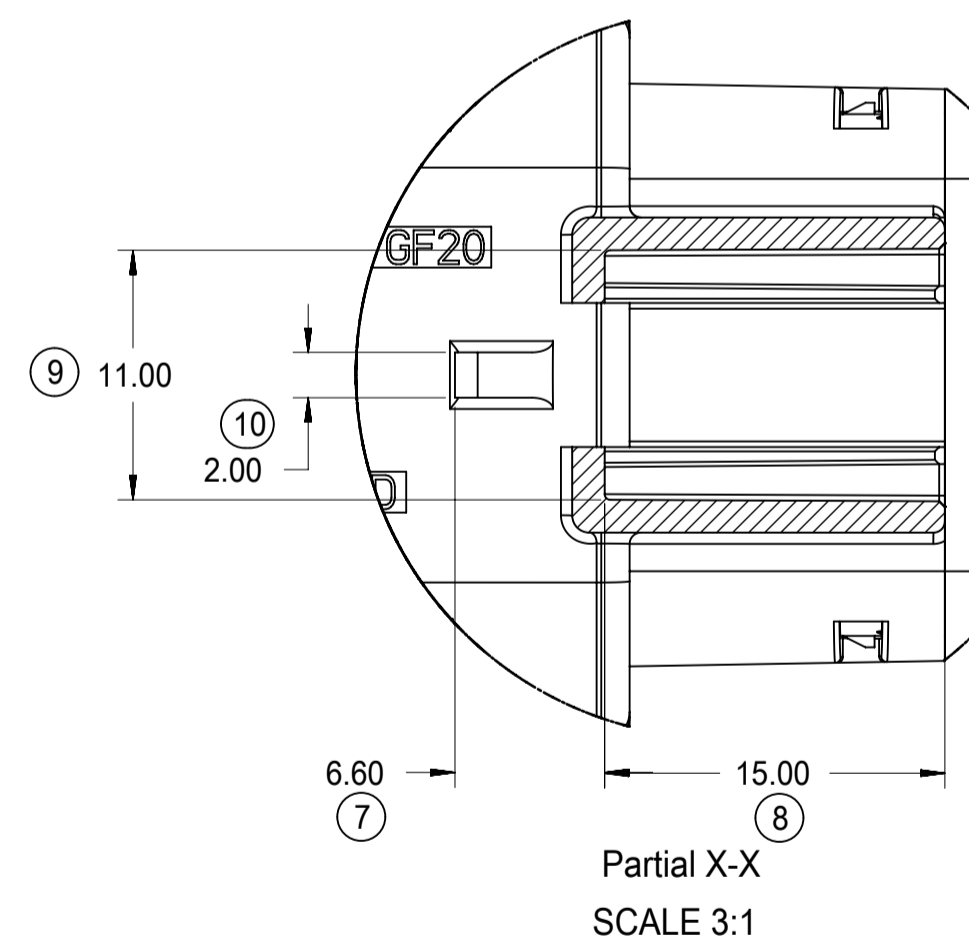
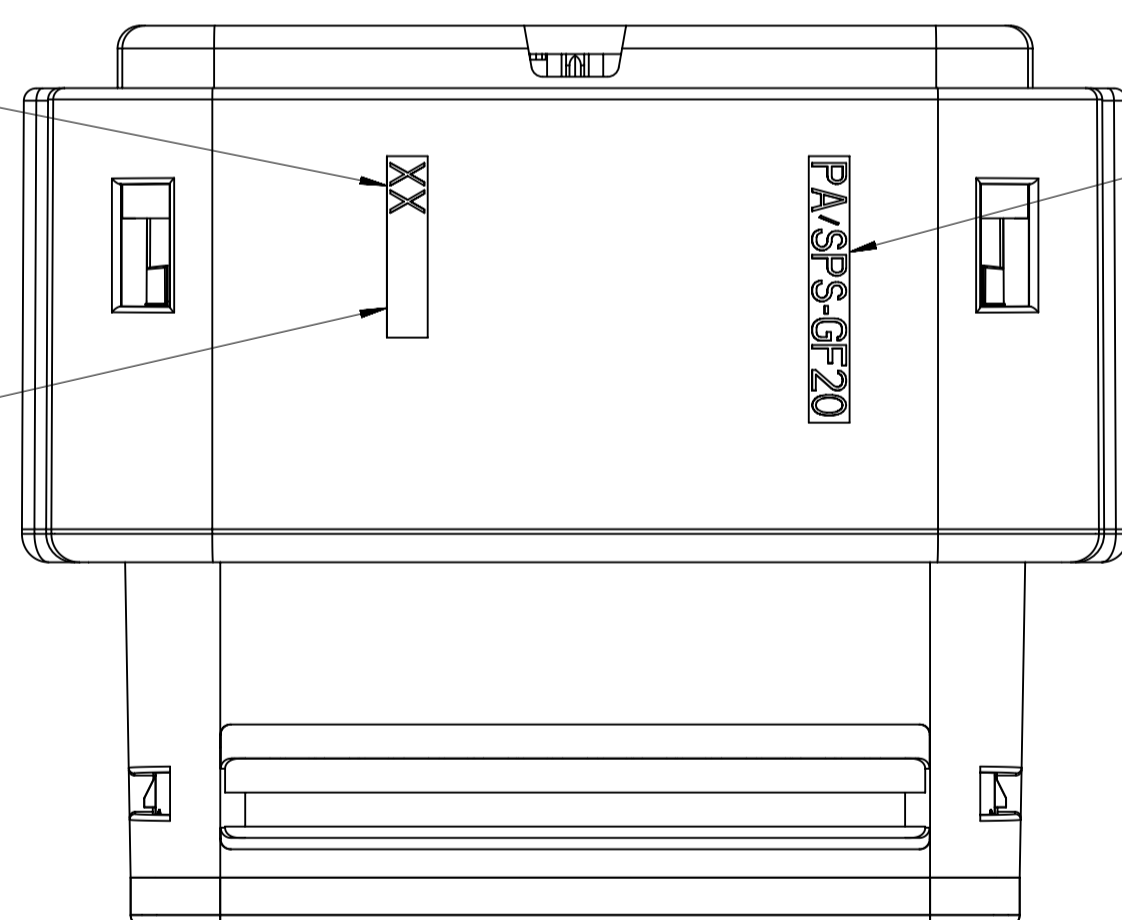
TERMINAL
POSITION 1



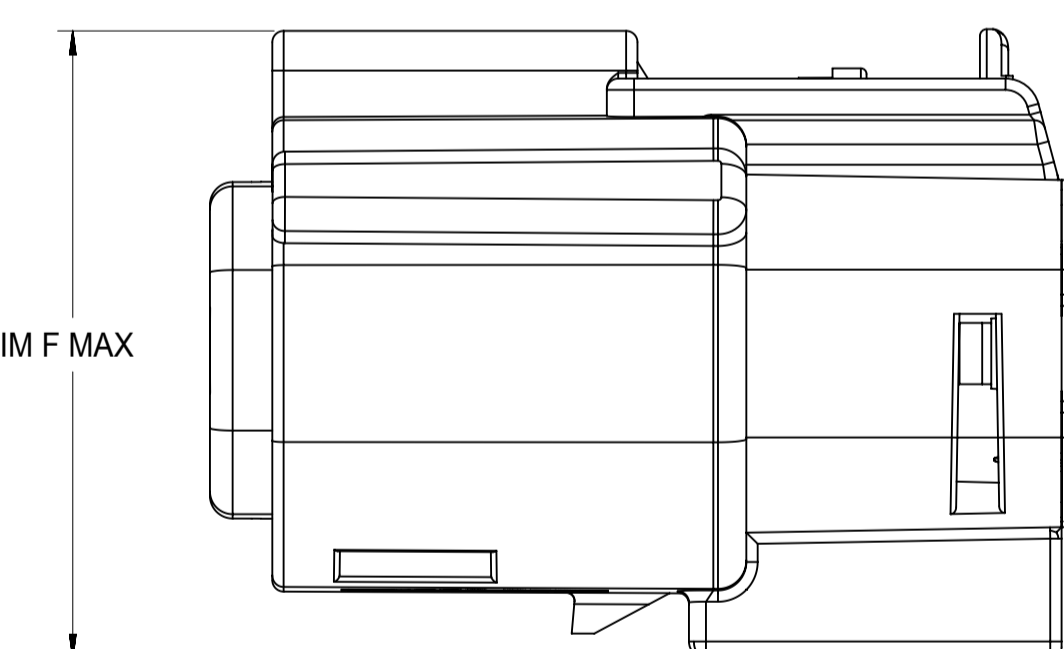
MOLD CAVITY I.D.
THIS LOCATION

RECYCLE CODE
THIS LOCATION

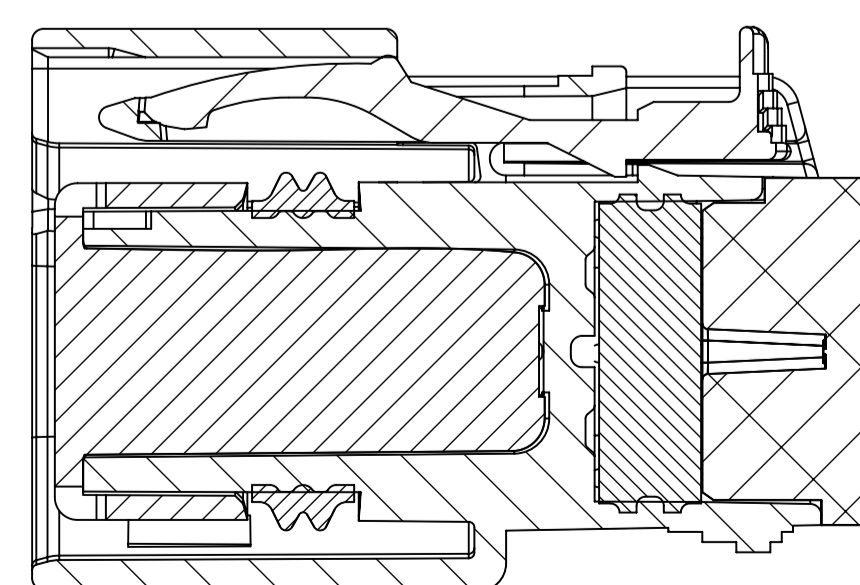
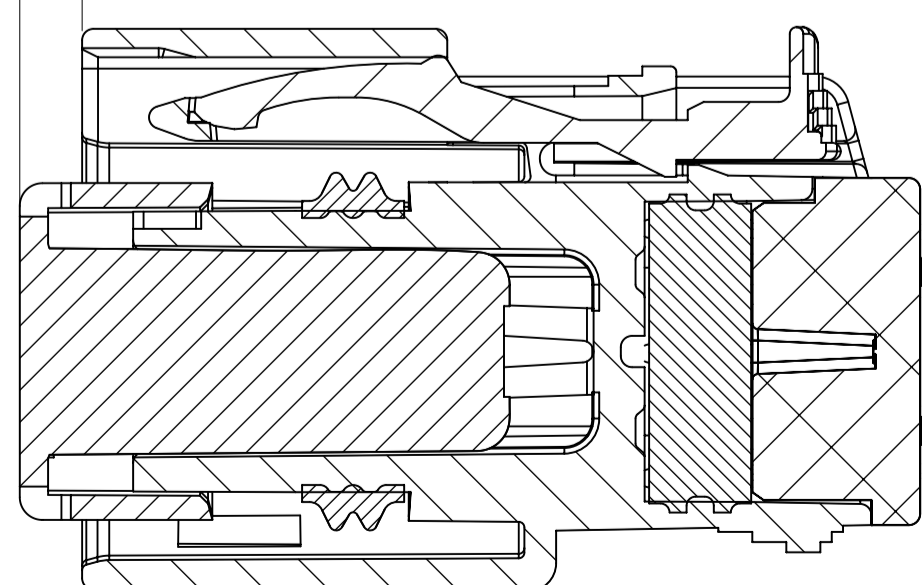
MANUFACTURING LOCATION
CODE THIS LOCATION



④ DIM F MAX



DIM G
⑥



SECTION Y-Y

SECTION Z-Z

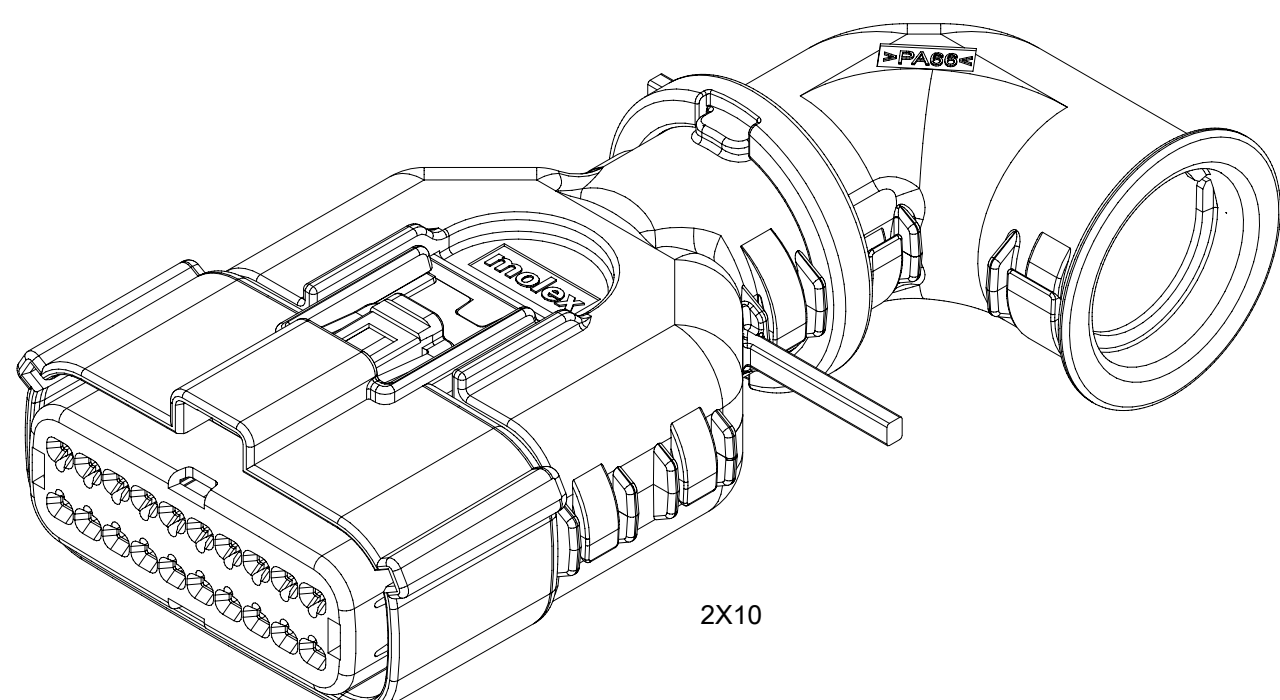
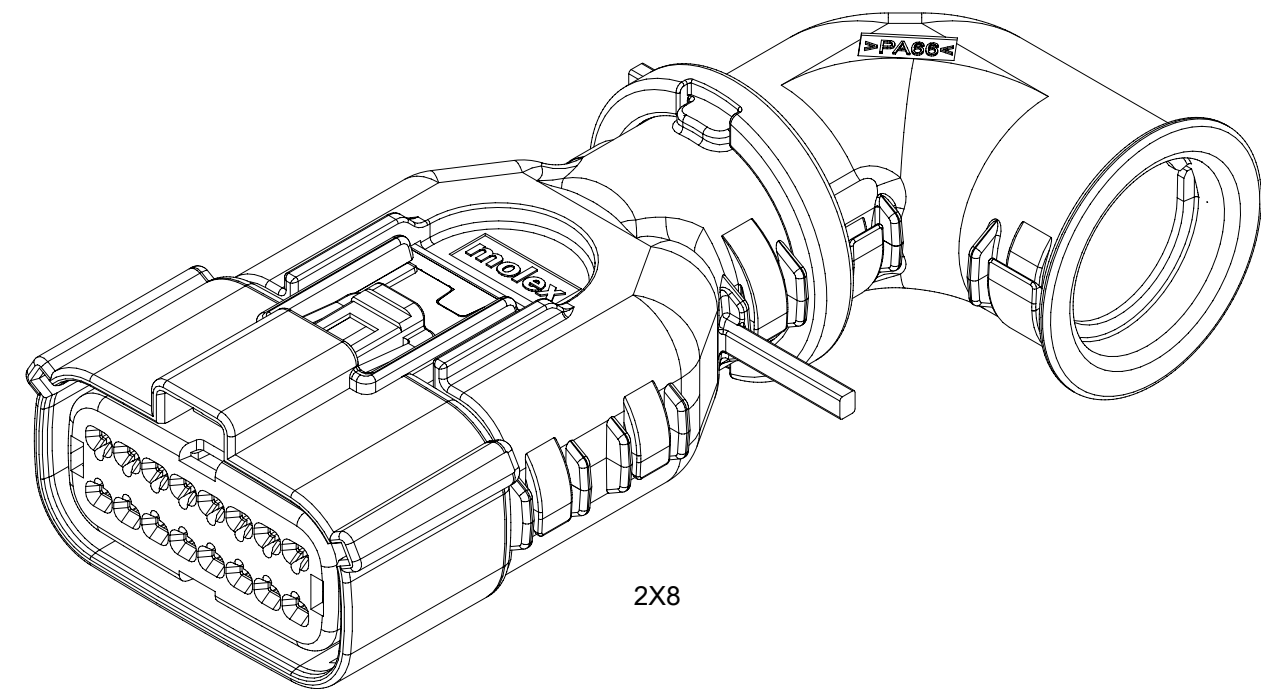
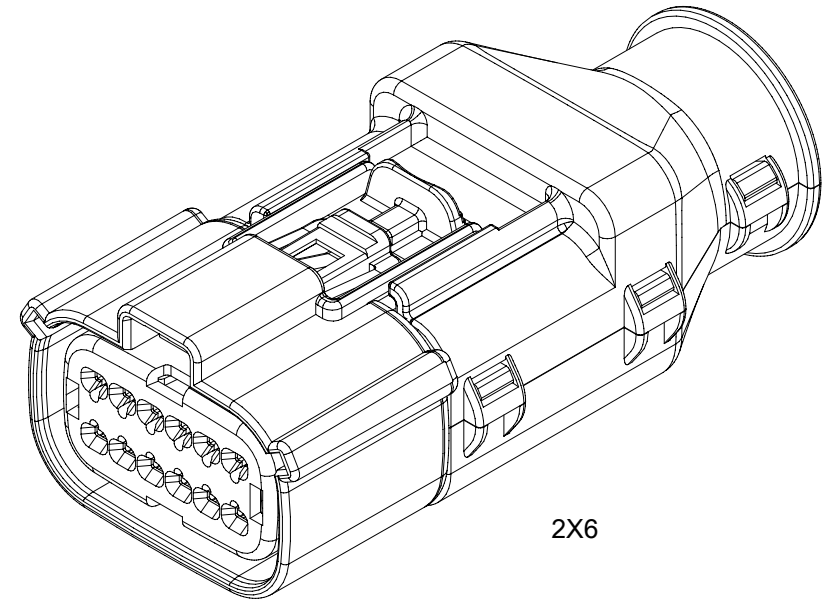
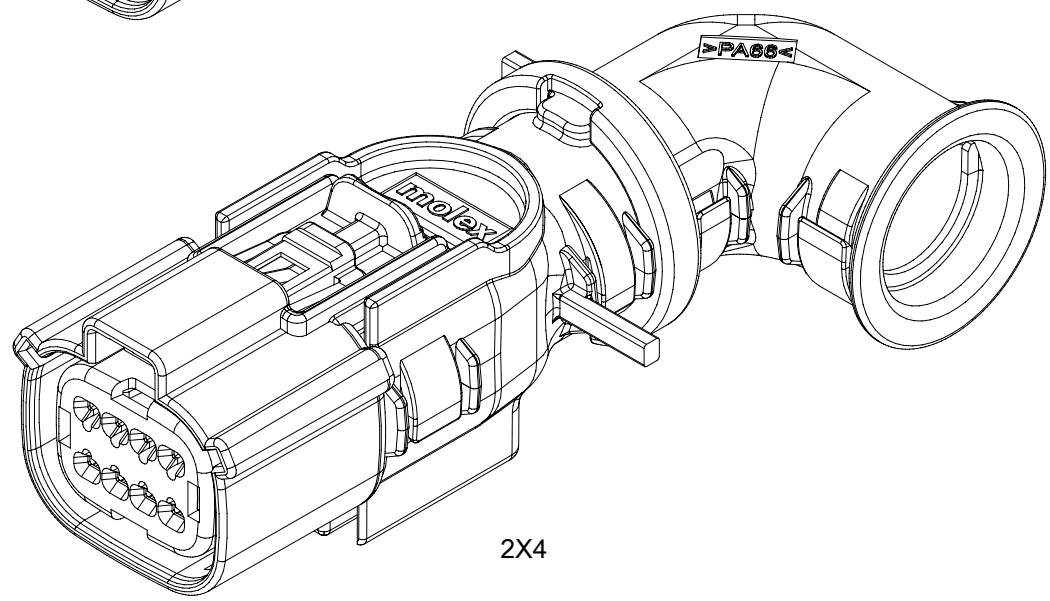
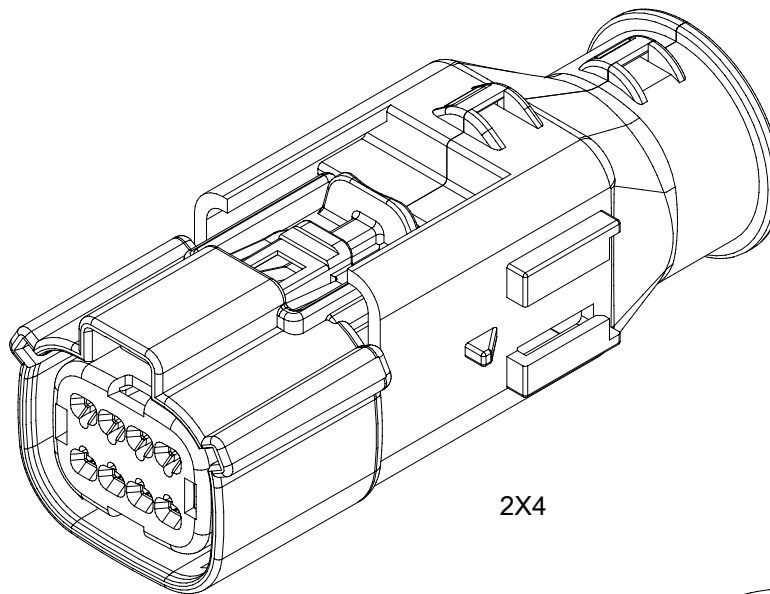
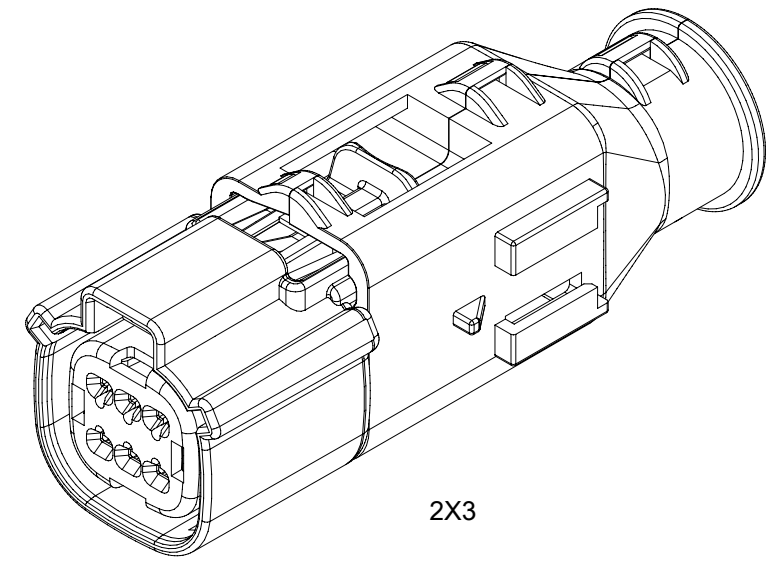
| | | | | |
|---|--|-----------------------|---|--|
| SYMBOLS THIS DRAWING CONTAINS INFORMATION THAT IS PROPRIETARY TO MOLEX ELECTRONIC TECHNOLOGIES, LLC AND SHOULD NOT BE USED WITHOUT WRITTEN PERMISSION DIMENSION UNITS: mm SCALE: 1:1 GENERAL TOLERANCES (UNLESS SPECIFIED): ANGULAR TOL: ± 1.0° 4 PLACES: ± 3 PLACES: ± 2 PLACES: ± 0.1 1 PLACE: ± 0.2 0 PLACES: ± DRAFT WHERE APPLICABLE MUST REMAIN WITHIN DIMENSIONS | CURRENT REV DESC: EC NO: 171650 DRWN: DDEB 2018/01/19 CHK'D: MVANSLAMBROU 2018/02/16 APPR: MVANSLAMBROU 2018/02/16 | | MX150 RCPT DUAL ROW SEALED ASSEMBLY MAT SEAL | |
| | INITIAL REVISION: DRWN: APROFFITT 2014/05/14 APPR: VKOSHY 2014/06/27 | | | |
| MATERIAL NUMBER: A1-SIZE CUSTOMER: 33472 GENERAL MARKET | | SHEET NUMBER: 5 OF 11 | | |

BACKSHELL NOTES: VALID UNLESS OTHERWISE SPECIFIED

1. GENERAL:

a. APPLICATION SPECIFICATION SEE: AS-34951-001

- DESIGNED TO MATE WITH RECEPTACLE SEALED ASSEMBLY SPECIFIED IN MOLEX DRAWING SD-33472-0001.
- SYSTEM TO BE USED WITH WIRE WITHIN DIAMETER RANGE OF 1.2mm TO 2.69mm.
- COMPONENTS ARE OPTIONAL AND MUST BE PURCHASED SEPERATELY.
- DESIGN IS OWNED BY SCHLEMMER FOR SCHLEMMER BACKSHELL.
- DESIGN IS OWNED BY MOLEX FOR MOLEX BACKSHELL.
- 90° ADAPTOR DESIGN IS OWNED BY MOLEX.
- FOR ADDITIONAL INFORMATION SEE THE BACKSHELL COMPONENT DRAWING SD-34951-0001.



BACKSHELL CUSTOMER MODEL NUMBER LEGEND

34951-XXXX

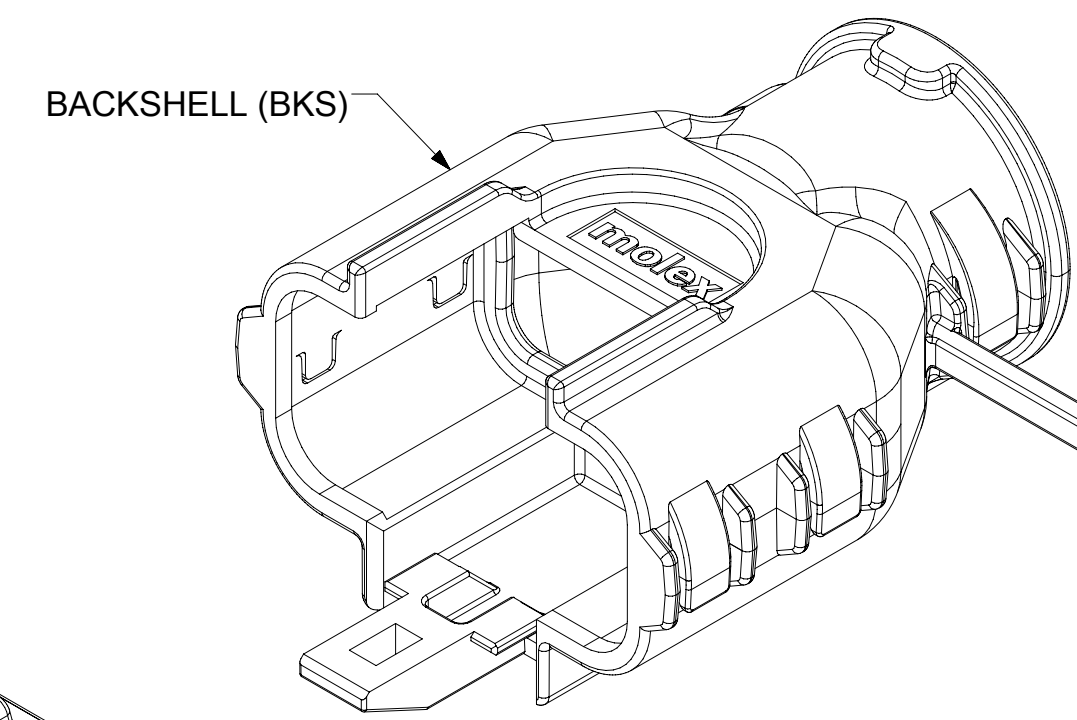
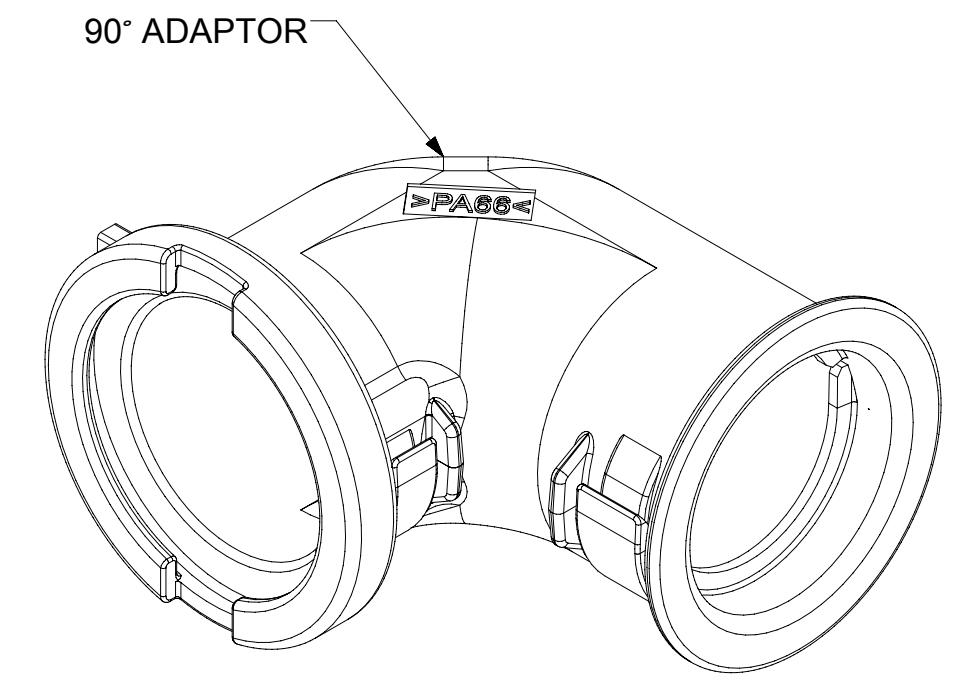
CUSTOMER MODEL COMPONENTS

- 0 - SCHLEMMER BACKSHELL ONLY
- 1 - SCHLEMMER BACKSHELL & MX150 HOUSING KEY A ASSEMBLY
- 2 - SCHLEMMER BACKSHELL & MX150 HOUSING KEY B ASSEMBLY
- 3 - SCHLEMMER BACKSHELL & MX150 HOUSING KEY C ASSEMBLY
- 4 - SCHLEMMER BACKSHELL & MX150 HOUSING KEY D ASSEMBLY
- 5 - MOLEX BACKSHELL ONLY
- 6 - MOLEX BACKSHELL & MX150 HOUSING KEY A ASSEMBLY
- 7 - MOLEX BACKSHELL & MX150 HOUSING KEY B ASSEMBLY
- 8 - MOLEX BACKSHELL & MX150 HOUSING KEY C ASSEMBLY
- 9 - MOLEX BACKSHELL & MX150 HOUSING KEY D ASSEMBLY

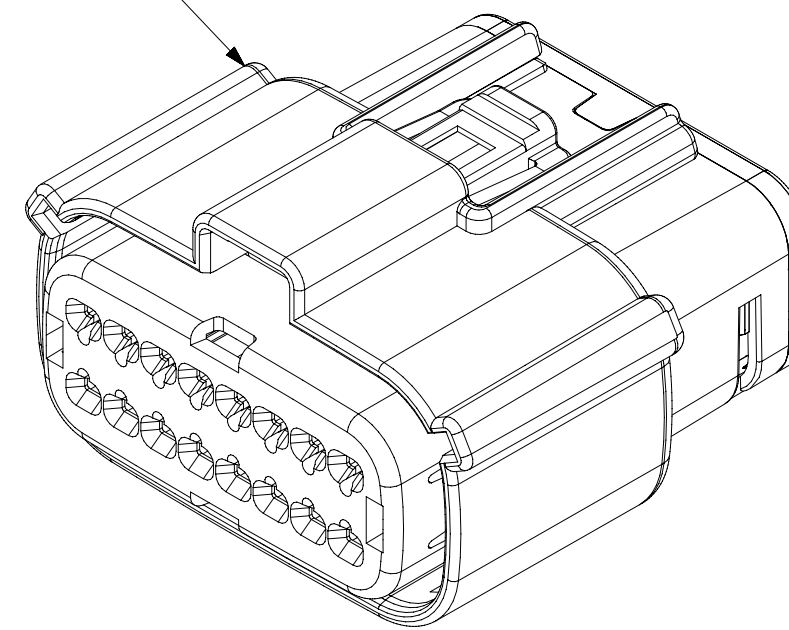
BACKSHELL FEATURES

- 1 - WITH RIBS
- 2 - WITHOUT RIBS
- 3 - 90° ADAPTOR

MX150 CIRCUIT SIZE 04, 06, 08, 12, 16, 20



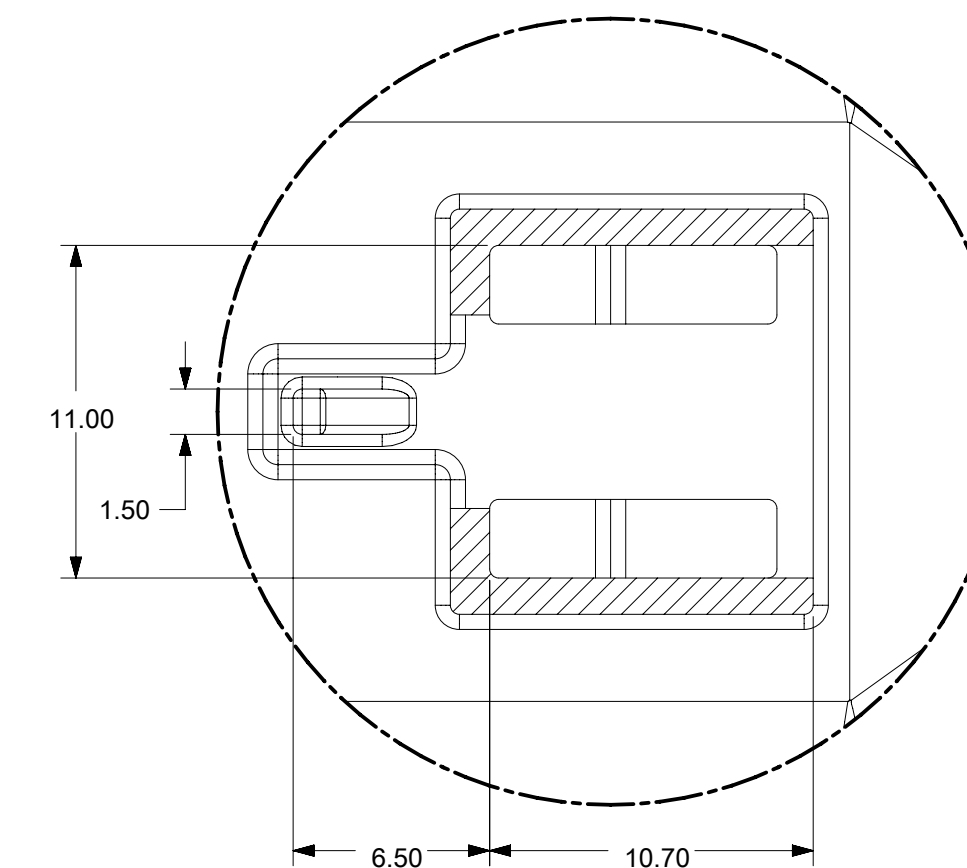
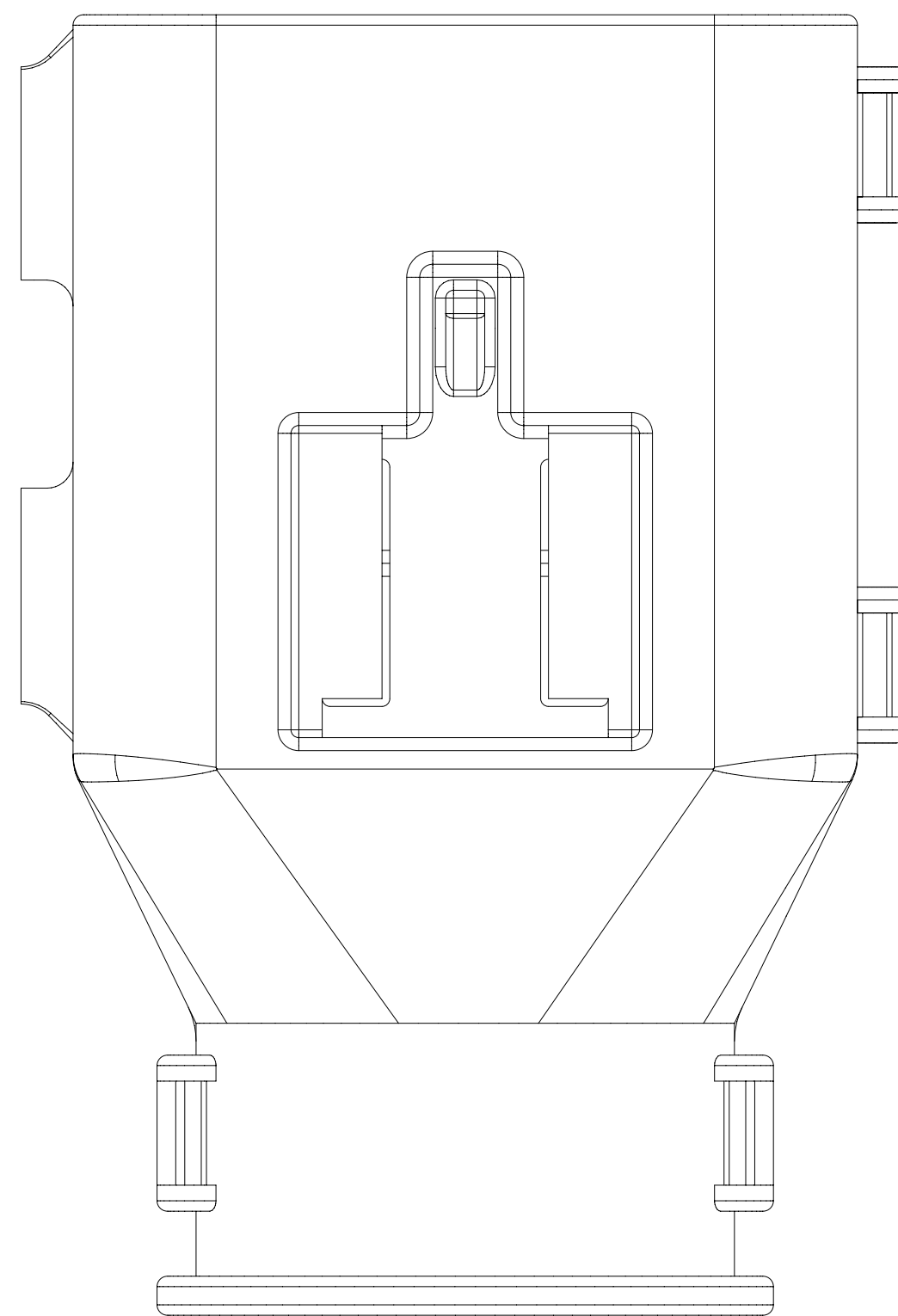
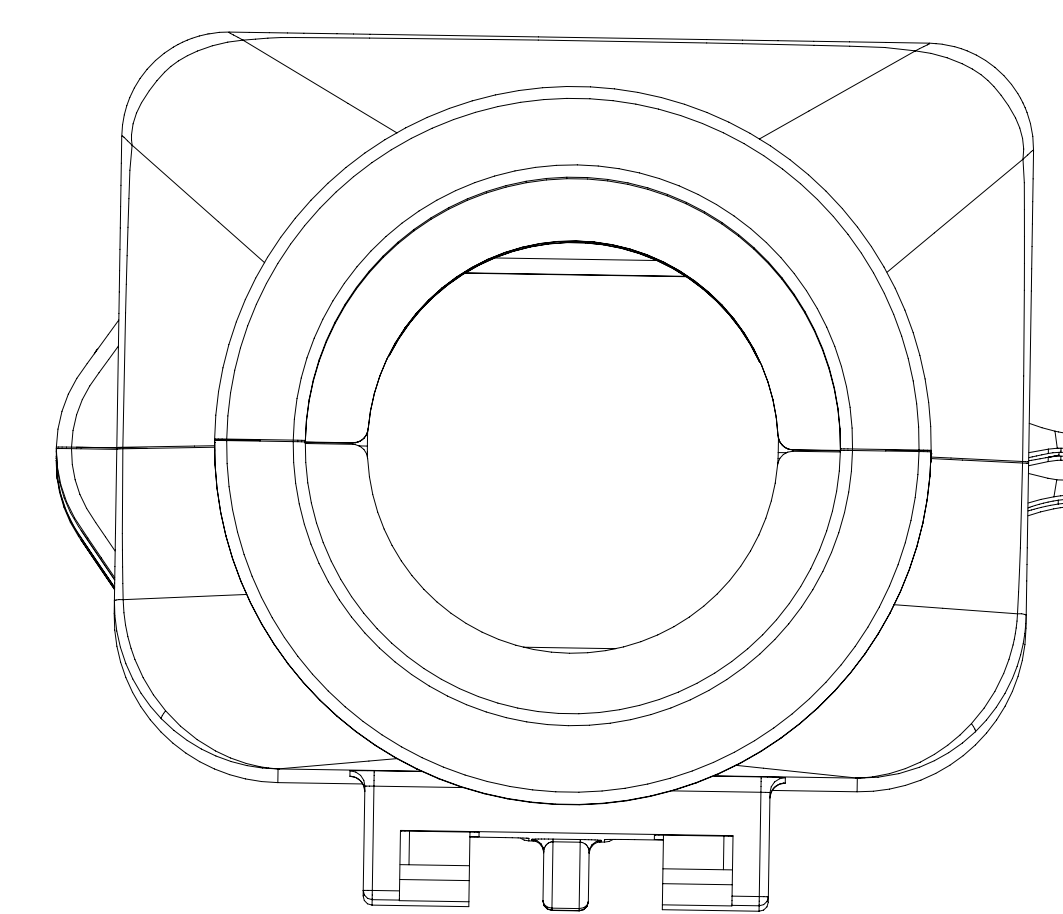
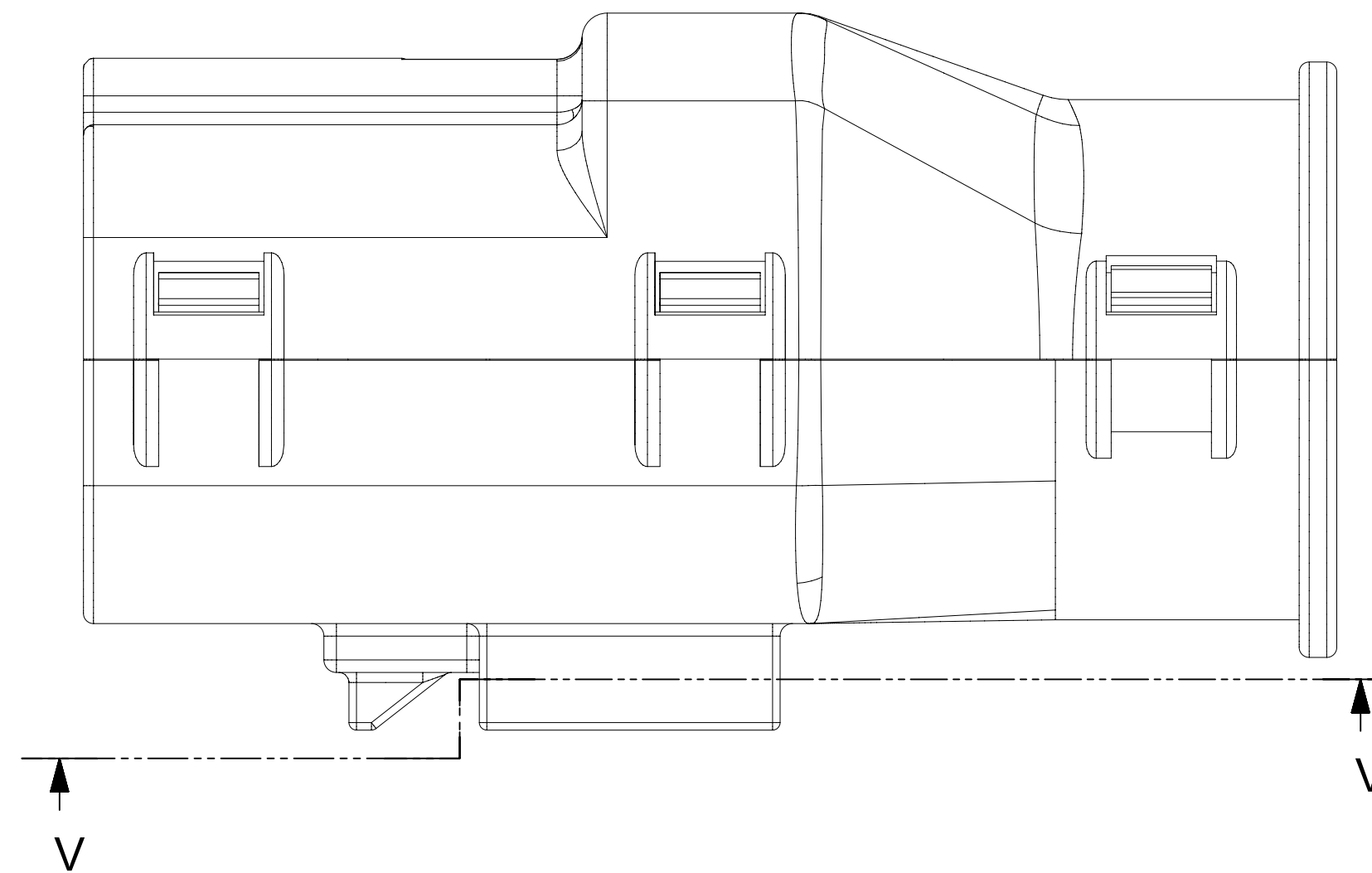
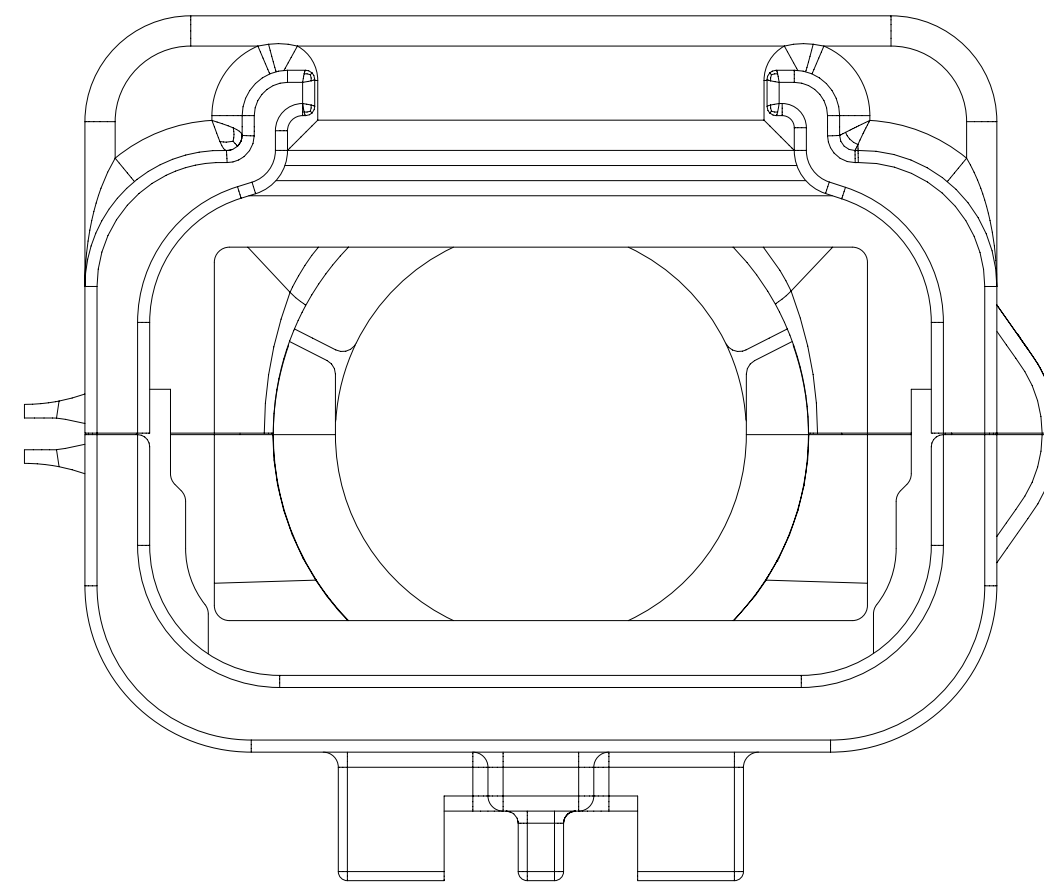
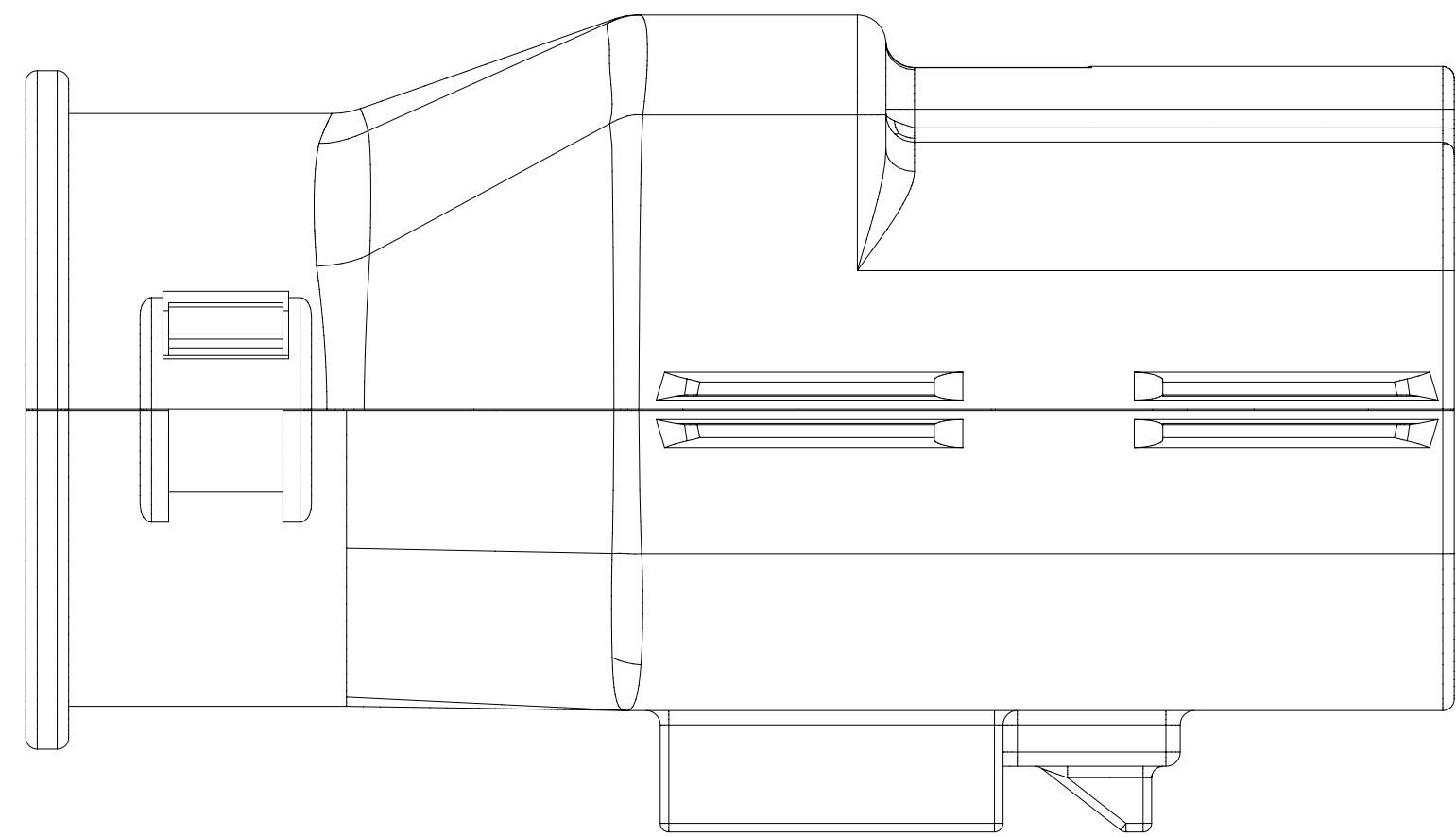
RECEPTACLE SEALED ASSEMBLY



SCALE 2:1

| | | | | | | | | | | |
|---|--|----------------------------------|--|--|---|--|--|---|------------------------------------|---------------------------|
| <p>SYMBOLS</p> <ul style="list-style-type: none"> ▽ = 0 ▽ = 0 ▽ = 0 ▽ = 0 ▽ = 0 ▽ = 0 ▽ = 0 ▽ = 0 ▽ = 0 ▽ = 0 | <p>THIS DRAWING CONTAINS INFORMATION THAT IS PROPRIETARY TO MOLEX ELECTRONIC TECHNOLOGIES, LLC AND SHOULD NOT BE USED WITHOUT WRITTEN PERMISSION</p> | | <p>CURRENT REV DESC:</p> | | <p>molex</p> | | | | | |
| | <p>DIMENSION UNITS</p> <p>mm</p> | <p>SCALE</p> <p>1.5:1</p> | <p>GENERAL TOLERANCES (UNLESS SPECIFIED)</p> <p>ANGULAR TOL ± 1.0°</p> | | | | | <p>MX150 RCPT DUAL ROW SEALED ASSEMBLY MAT SEAL</p> | | |
| | <p>4 PLACES ±</p> <p>3 PLACES ±</p> <p>2 PLACES ± 0.1</p> <p>1 PLACE ± 0.2</p> <p>0 PLACES ±</p> | | <p>EC NO: 171650</p> <p>DRWN: DDEB 2018/01/19</p> <p>CHK'D: MVANSLAMBROU 2018/02/16</p> <p>APPR: MVANSLAMBROU 2018/02/16</p> | | <p>PRODUCT CUSTOMER DRAWING</p> | | | | | |
| | <p>DRAFT WHERE APPLICABLE MUST REMAIN WITHIN DIMENSIONS</p> | | <p>THIRD ANGLE PROJECTION</p> | | <p>INITIAL REVISION:</p> <p>DRWN: APROFFITT 2014/05/14</p> <p>APPR: VKOSHY 2014/06/27</p> | | <p>DOCUMENT NUMBER</p> <p>SD-33472-0001</p> | <p>DOC TYPE</p> <p>PSD</p> | <p>DOC PART</p> <p>001</p> | <p>REVISION</p> <p>C2</p> |
| <p>DOCUMENT STATUS P1</p> | | | <p>RELEASE DATE 2018/02/16 22:02:25</p> | | | <p>MATERIAL NUMBER</p> <p>GENERAL MARKET</p> | | | <p>SHEET NUMBER</p> <p>6 OF 11</p> | |

SHEET DESCRIPTION
SCHLEMMER BACKSHELL

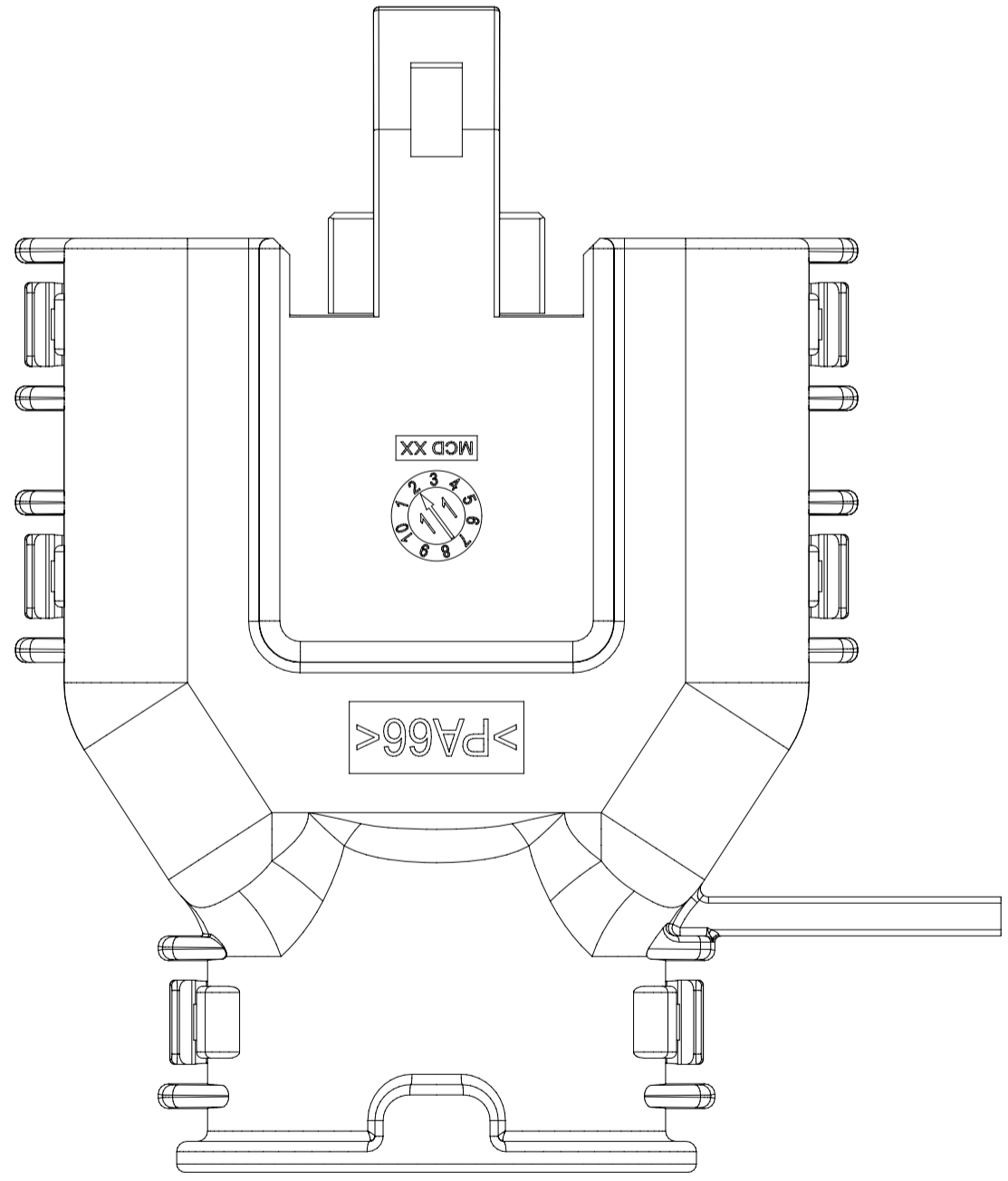
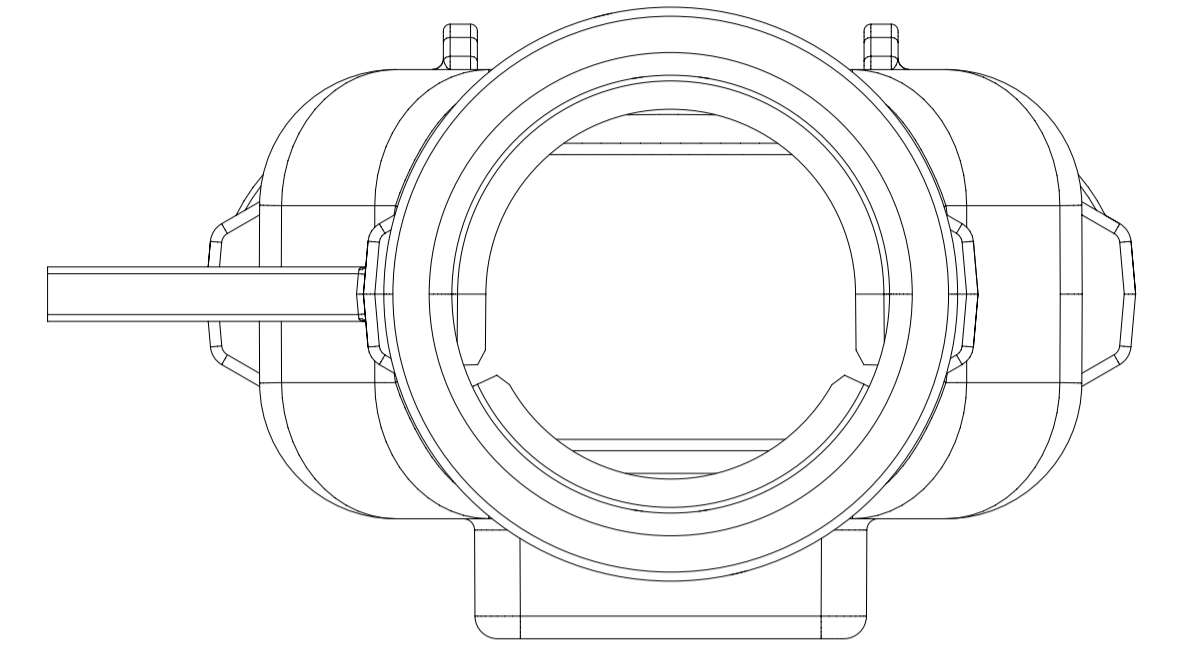
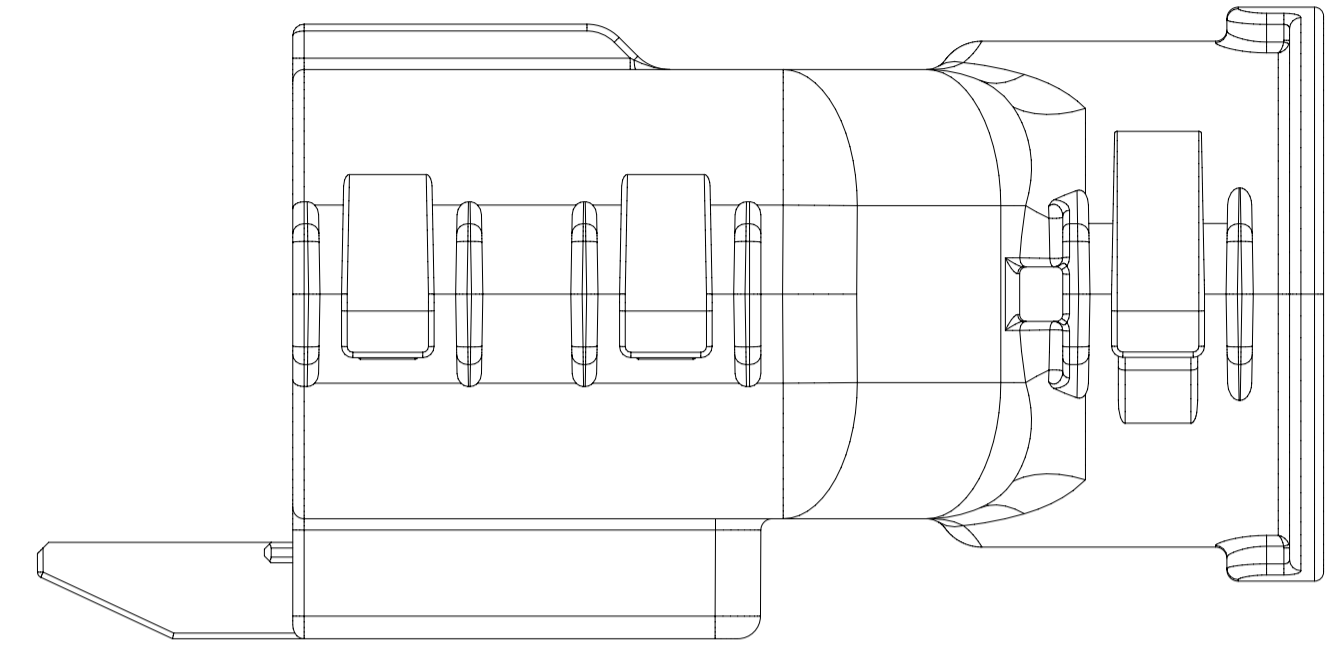
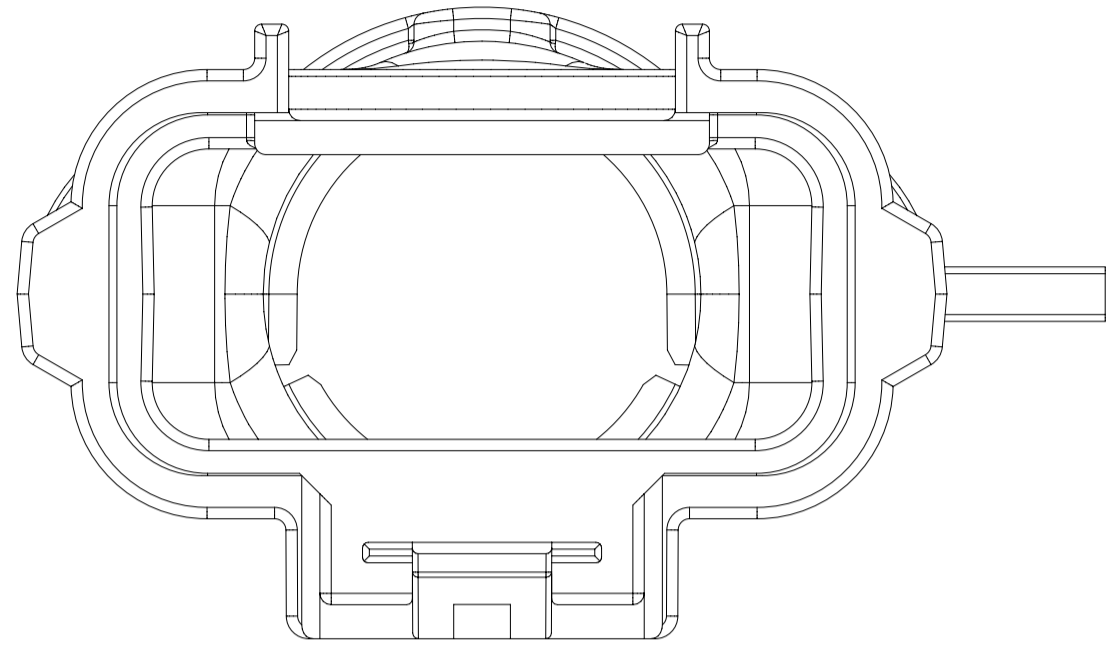
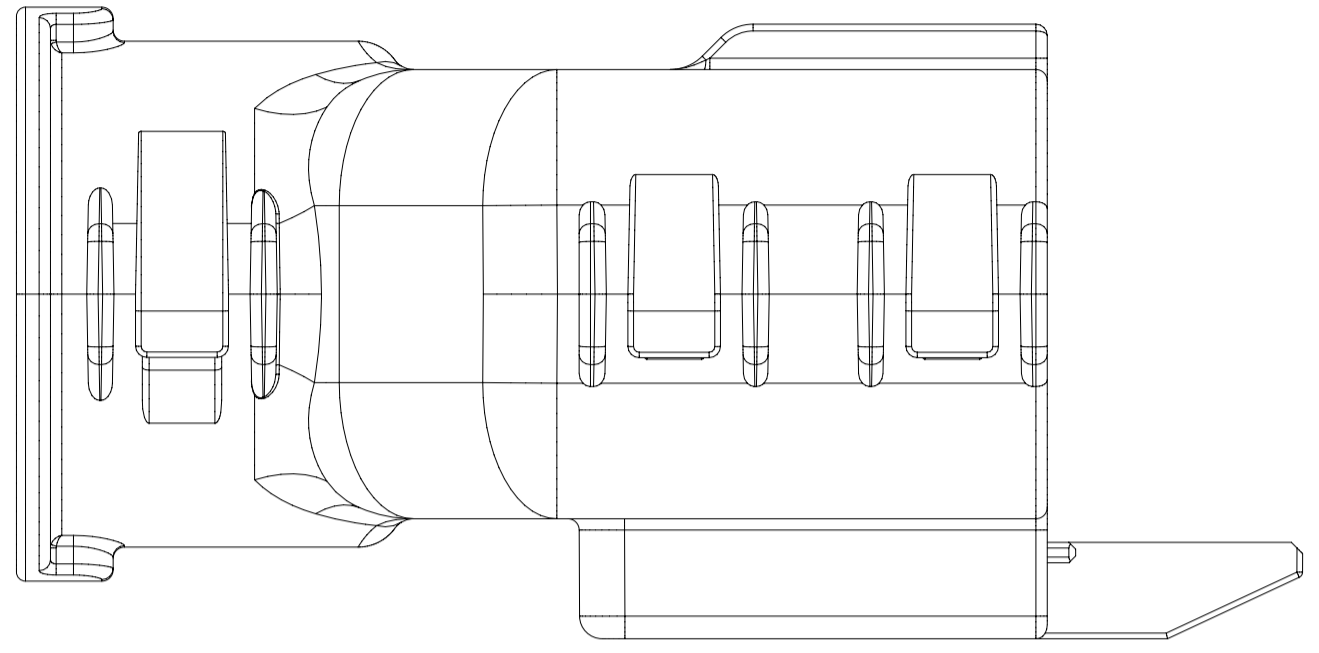


Partial V-V
SCALE 4:1

| SYMBOLS | | THIS DRAWING CONTAINS INFORMATION THAT IS PROPRIETARY TO MOLEX ELECTRONIC TECHNOLOGIES, LLC AND SHOULD NOT BE USED WITHOUT WRITTEN PERMISSION | | CURRENT REV DESC: | | | | |
|-----------------|--|---|--------------------------------|-------------------|---|---|--|--|
| DIMENSION UNITS | SCALE | | | | | | | |
| = 0 | mm | 4:1 | | EC NO: 171650 | | MX150 RCPT DUAL ROW SEALED ASSEMBLY MAT SEAL | | |
| = 0 | GENERAL TOLERANCES (UNLESS SPECIFIED) | | DRWN: DDEB 2018/01/19 | | PRODUCT CUSTOMER DRAWING DOCUMENT NUMBER: SD-33472-0001 DOC TYPE: PSD DOC PART: 001 REVISION: C2 | | | |
| = 0 | ANGULAR TOL ± 1.0° | | CHK'D: MVANSLAMBROU 2018/02/16 | | | | | |
| = 0 | 4 PLACES ± | | APPR: MVANSLAMBROU 2018/02/16 | | INITIAL REVISION: DRWN: APROFFITT 2014/05/14 APPR: VKOSHY 2014/06/27 | | | |
| = 0 | 3 PLACES ± | | | | | | | |
| = 0 | 2 PLACES ± 0.1 | | | | MATERIAL NUMBER: 33472 CUSTOMER: GENERAL MARKET SHEET NUMBER: 7 OF 11 | | | |
| = 0 | 1 PLACE ± 0.2 | | | | | | | |
| = 0 | 0 PLACES ± | | | | | | | |
| = 0 | DRAFT WHERE APPLICABLE MUST REMAIN WITHIN DIMENSIONS | | THIRD ANGLE PROJECTION | | DRAWING: A1-SIZE | | | |
| = 0 | | | | | SERIES: 33472 | | | |

18 17 16 15 14 13 12 11 10 9 8 7 6 5 4 3 2 1

SHEET DESCRIPTION
MOLEX BACKSHELL



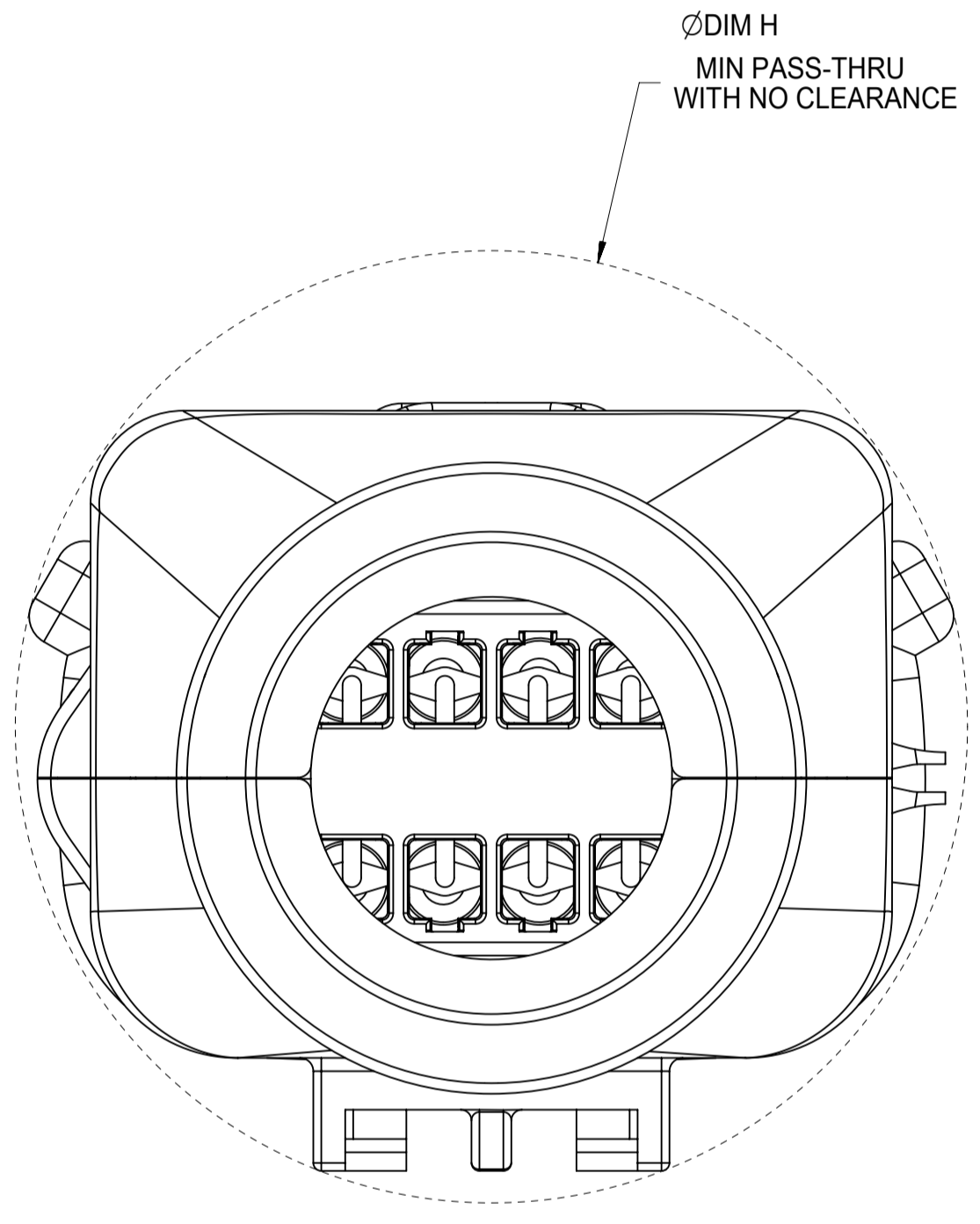
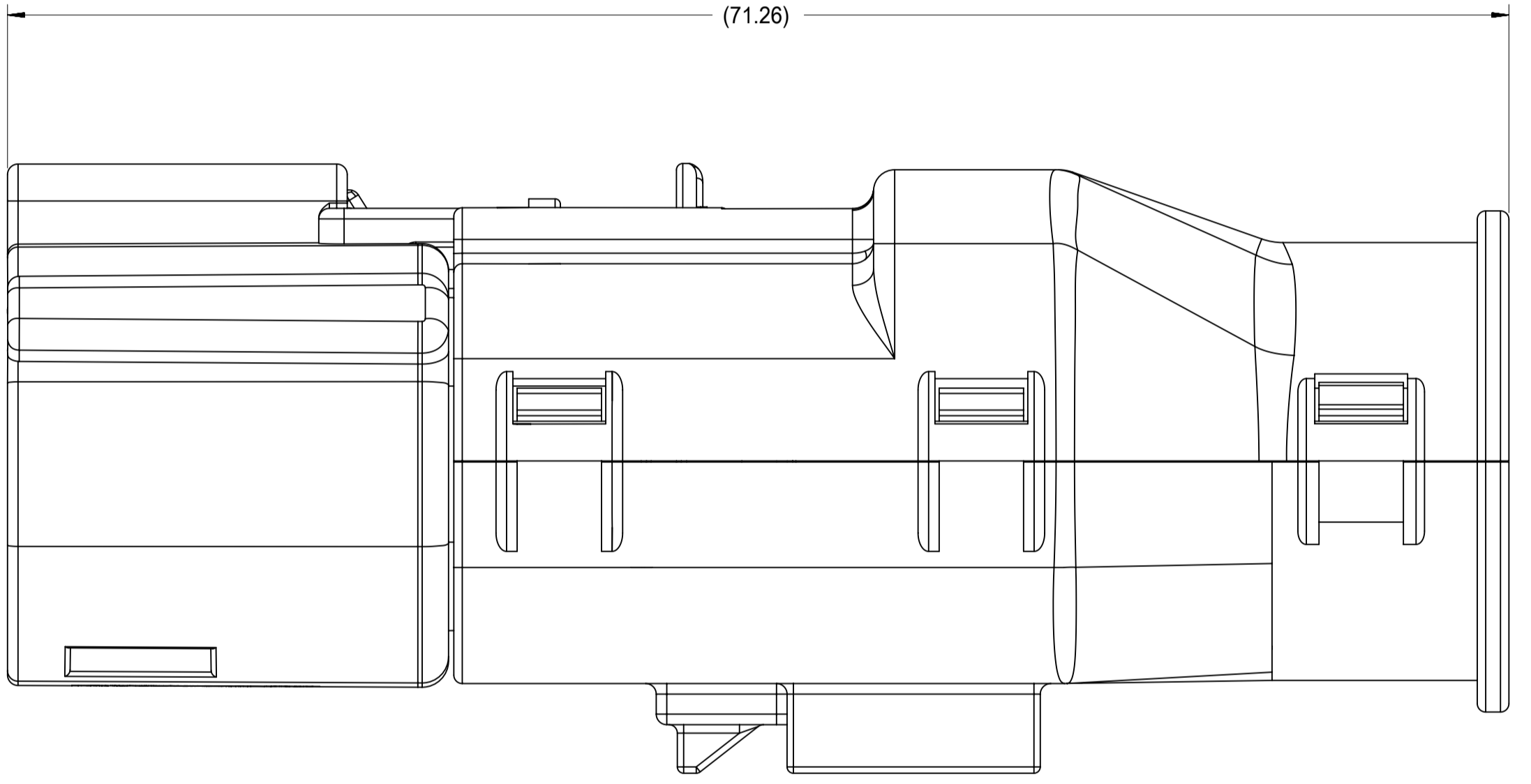
| | | | |
|--|---|---|---|
| SYMBOLS = 0 = 0 = 0 = 0 = 0 = 0 = 0 = 0 = 0 = 0 | THIS DRAWING CONTAINS INFORMATION THAT IS PROPRIETARY TO MOLEX ELECTRONIC TECHNOLOGIES, LLC AND SHOULD NOT BE USED WITHOUT WRITTEN PERMISSION | | |
| | DIMENSION UNITS | SCALE | CURRENT REV DESC: EC NO: 171650 DRWN: DDEB 2018/01/19 CHK'D: MVANSLAMBROU 2018/02/16 APPR: MVANSLAMBROU 2018/02/16 INITIAL REVISION: DRWN: APROFFITT 2014/05/14 APPR: VKOSHY 2014/06/27 |
| | mm | 3:1 | |
| | GENERAL TOLERANCES (UNLESS SPECIFIED) | | |
| | ANGULAR TOL | ± 1.0° | |
| | 4 PLACES | ± | |
| | 3 PLACES | ± | |
| | 2 PLACES | ± 0.1 | |
| | 1 PLACE | ± 0.2 | |
| | 0 PLACES | ± | |
| DRAFT WHERE APPLICABLE MUST REMAIN WITHIN DIMENSIONS | | THIRD ANGLE PROJECTION | |
| | | DRAWING SERIES A1-SIZE 33472 | |
| | | DOCUMENT NUMBER DOC TYPE DOC PART REVISION SD-33472-0001 PSD 001 C2 | |
| | | MATERIAL NUMBER CUSTOMER SHEET NUMBER GENERAL MARKET 8 OF 11 | |

| | | | |
|-----------------|----|--------------|---------------------|
| DOCUMENT STATUS | P1 | RELEASE DATE | 2018/02/16 22:02:25 |
|-----------------|----|--------------|---------------------|

18 17 16 15 14 13 12 11 10 9 8 7 6 5 4 3 2 1

| SHEET DESCRIPTION | |
|------------------------------------|--|
| SCHLEMMER BACKSHELL CONFIGURATIONS | |

| CHARTED DIMENSIONS | |
|--------------------|------------|
| DESCRIPTION | DIMENSIONS |
| | H |
| 2X3 W/ CLIPSLOT | N/A |
| 2X3 W/O CLIPSLOT | 28.50 |
| 2X4 W/ CLIPSLOT | N/A |
| 2X4 W/O CLIPSLOT | 30.75 |
| 2X6 W/ CLIPSLOT | N/A |
| 2X6 W/O CLIPSLOT | 35.83 |



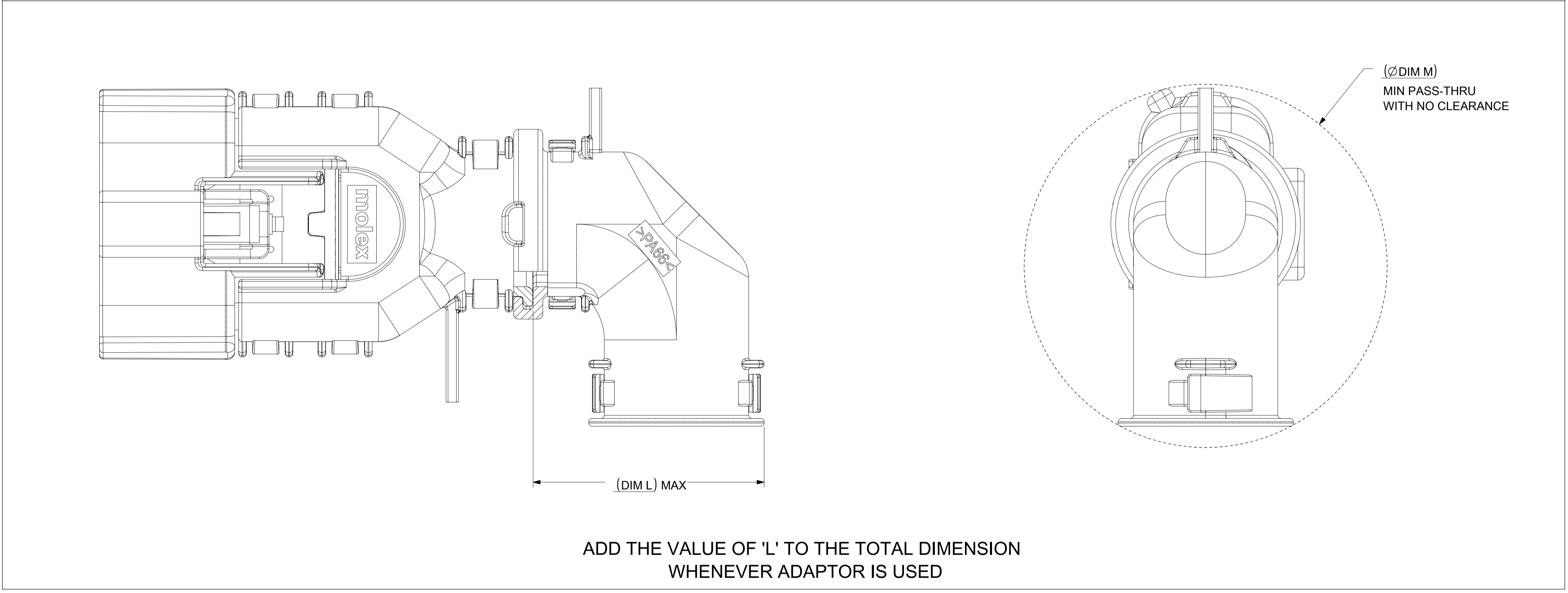
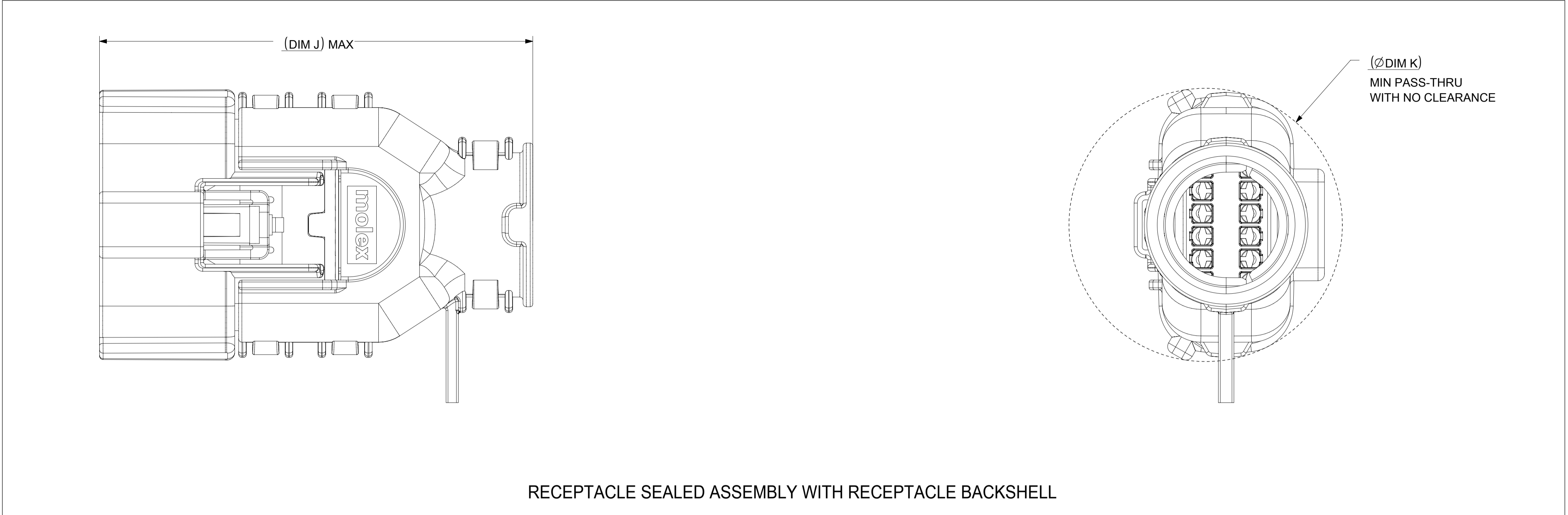
RECEPTACLE SEALED ASSEMBLY WITH RECEPTACLE BACKSHELL

| | | | | | | | | | | | | |
|---|---|------------|--------------------|--------------------|--|------------|--------------|---------------------------------------|-----------------|------------|---|--------------|
| QUALITY SYMBOLS FA = 0 FE = 0 FE = 0 ▼ = 0 C = 0 ☒ = 0 ■ = 0 ∇ = 0 | THIS DRAWING CONTAINS INFORMATION THAT IS PROPRIETARY TO MOLEX ELECTRONIC TECHNOLOGIES, LLC AND SHOULD NOT BE USED WITHOUT WRITTEN PERMISSION | | | | | | | | | | | |
| | EC NO: 171650 | DRWN: DDEB | CHKD: MYANSLAMBROU | APPR: MYANSLAMBROU | 2018/01/19 | 2018/02/16 | 2018/02/16 | GENERAL TOLERANCES (UNLESS SPECIFIED) | DIMENSION UNITS | SCALE | | |
| | | | | | ANGULAR TOL ± 1.0 ° | | 4 PLACES ± | mm | 4:1 | APPROFIT | | 2014/05/14 |
| | | | | | 3 PLACES ± | | 3 PLACES ± | APPROFIT | | 2014/05/14 | MX150 RCPT DUAL ROW SEALED ASSEMBLY MAT SEAL | |
| | | | | | 2 PLACES ± 0.1 | | 2 PLACES ± | APPROFIT | | 2014/06/16 | | |
| | | | | | 1 PLACE ± 0.2 | | 1 PLACE ± | APPROFIT | | 2014/06/27 | PRODUCT CUSTOMER DRAWING | |
| | | | | | 0 PLACES ± | | 0 PLACES ± | APPROFIT | | 2014/06/27 | | |
| | | | | | DRAFT WHERE APPLICABLE MUST REMAIN WITHIN DIMENSIONS | | DRAWING SIZE | THIRD ANGLE PROJECTION | SERIES | | MATERIAL NUMBER | CUSTOMER |
| | | | | | | | A1 | | 33472 | | GENERAL MARKET | |
| | | | | | | | | | DOCUMENT NUMBER | DOC TYPE | DOC PART | SHEET NUMBER |
| | | | | | | | | SD-33472-0001 | PSD | 001 | 9 OF 11 | |

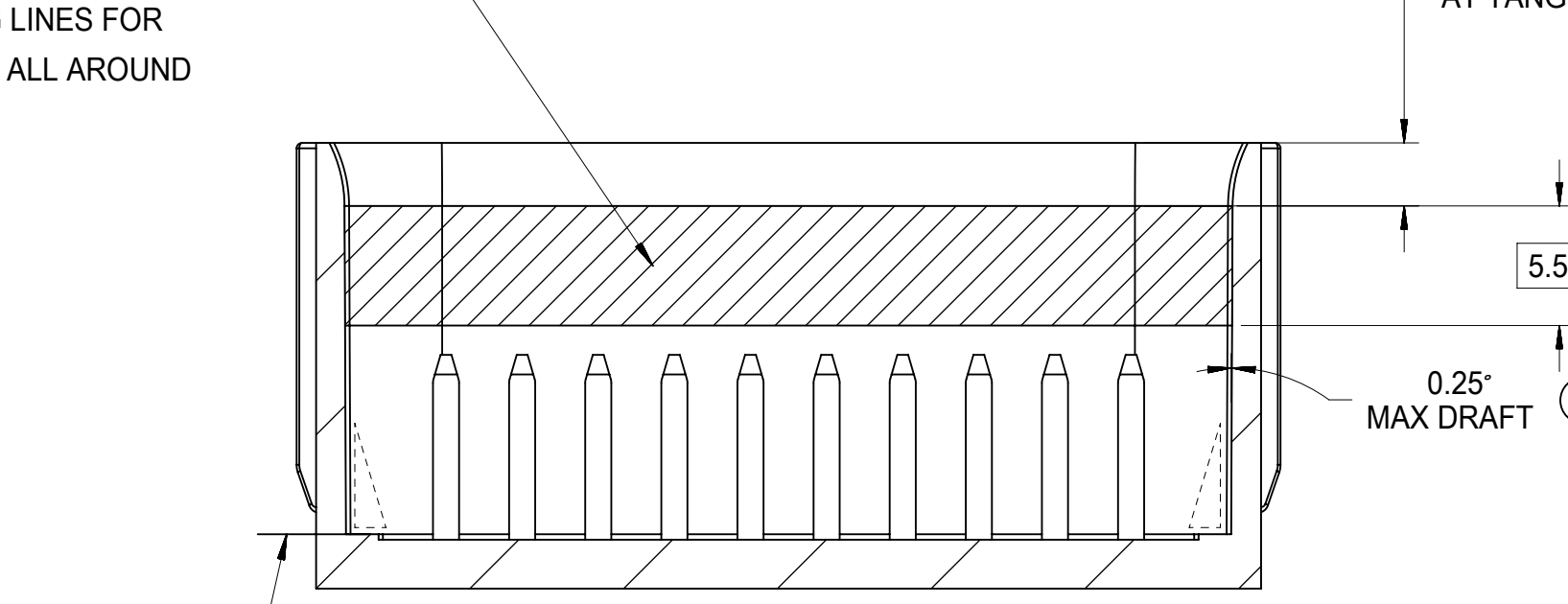
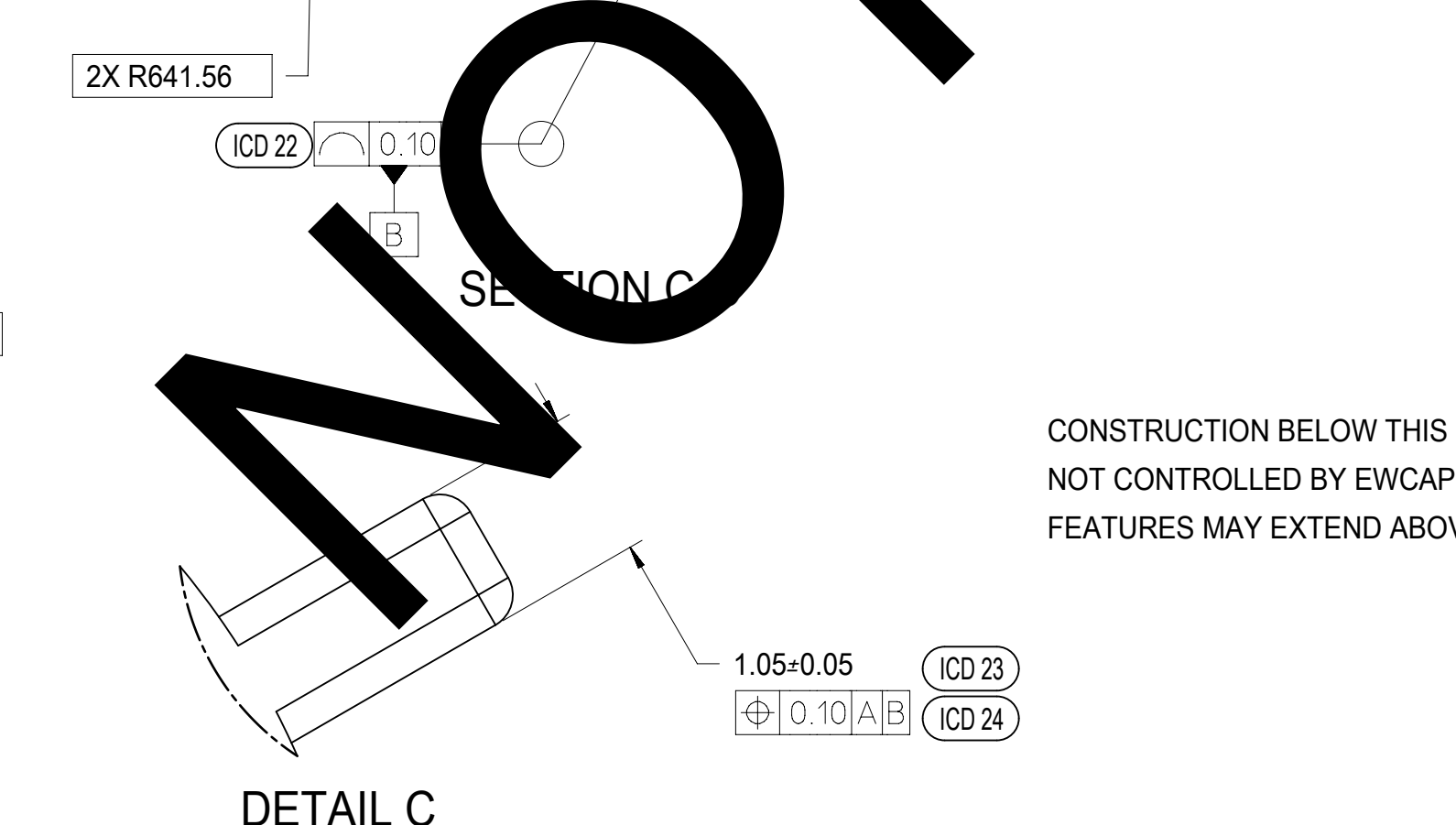
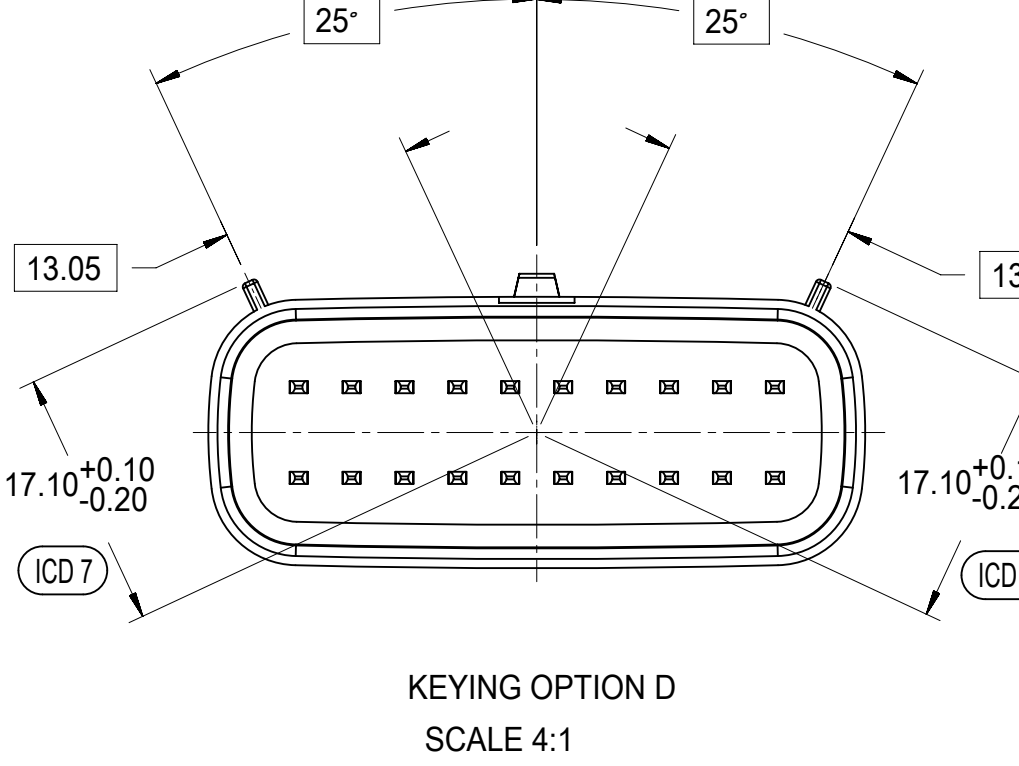
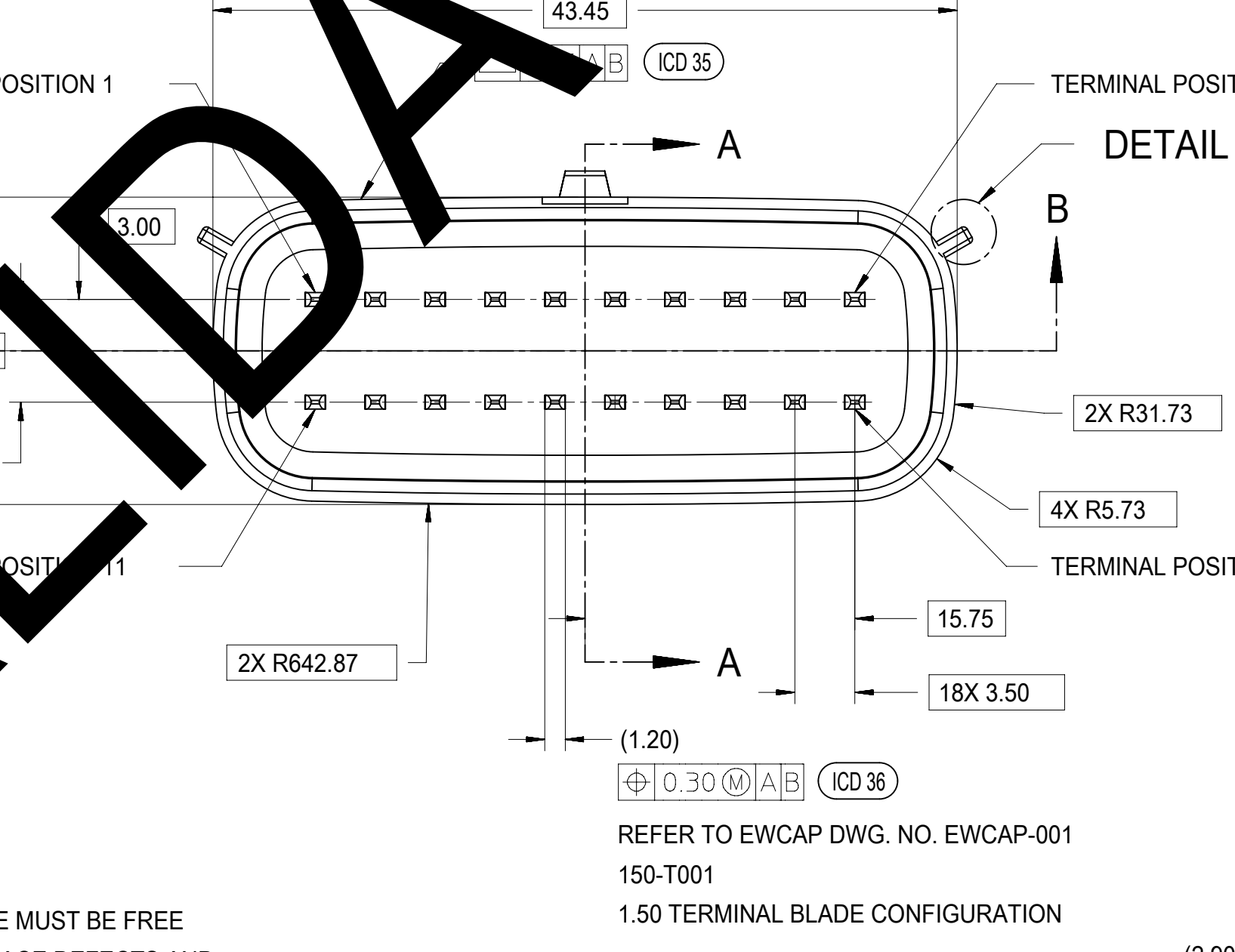
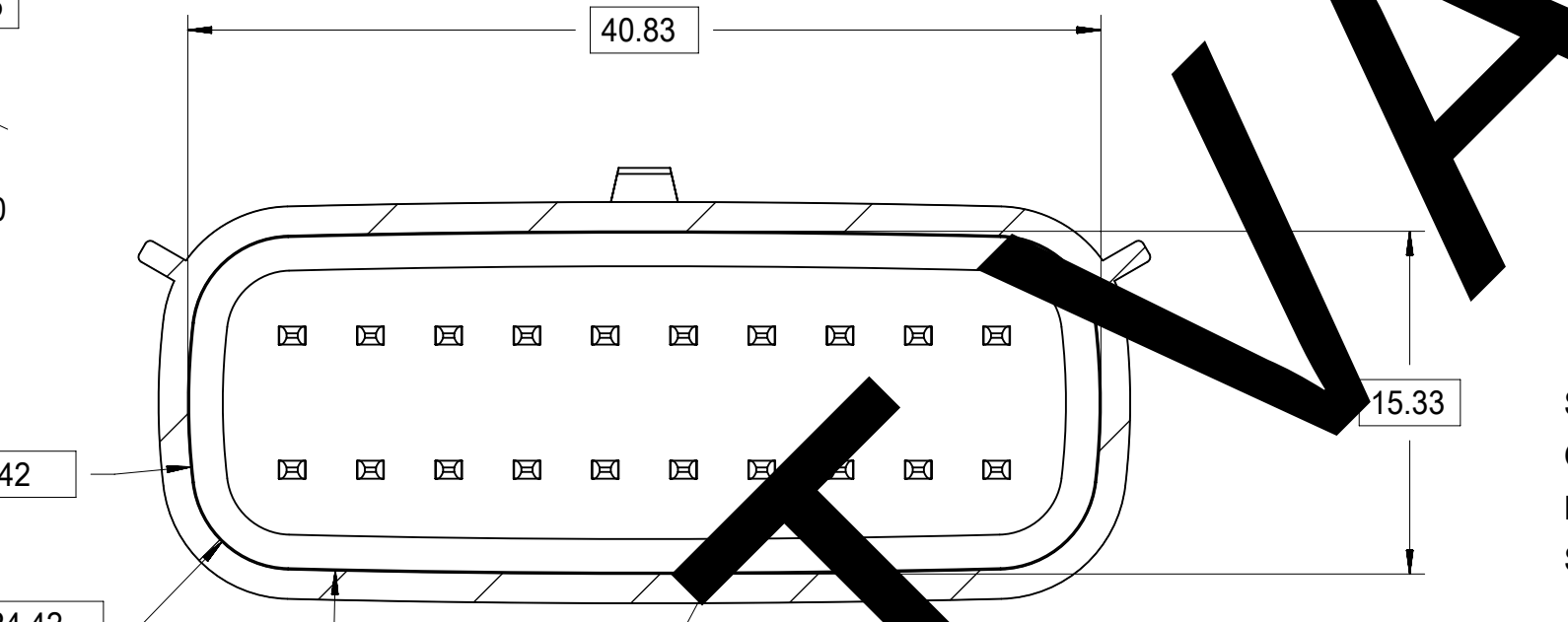
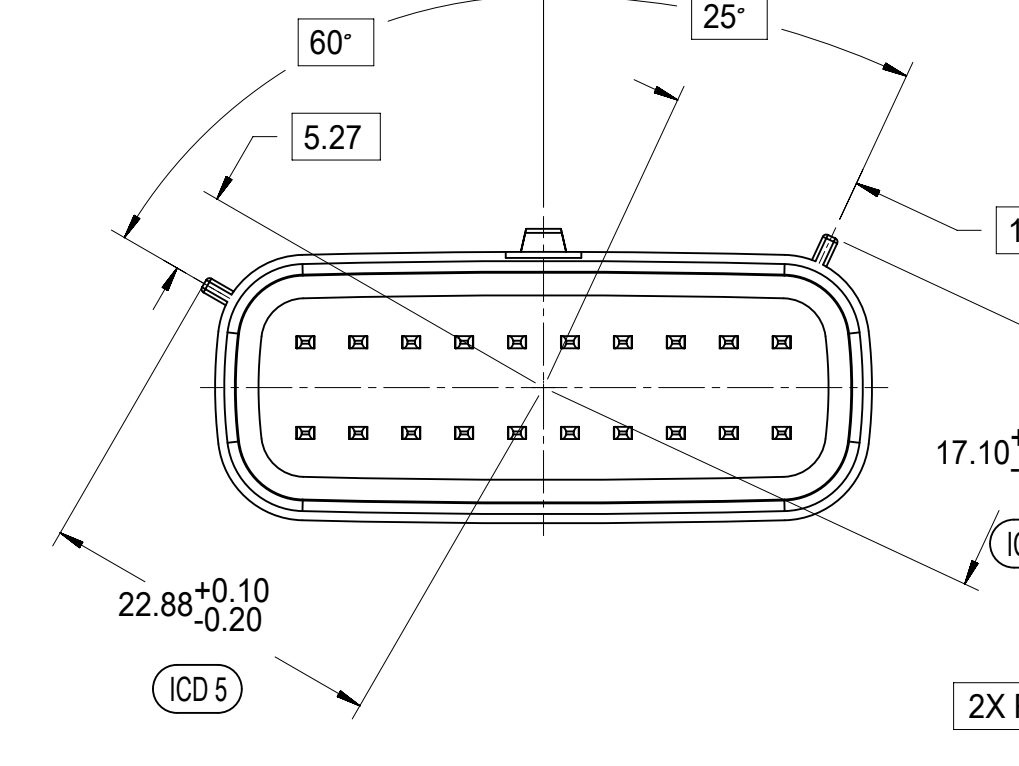
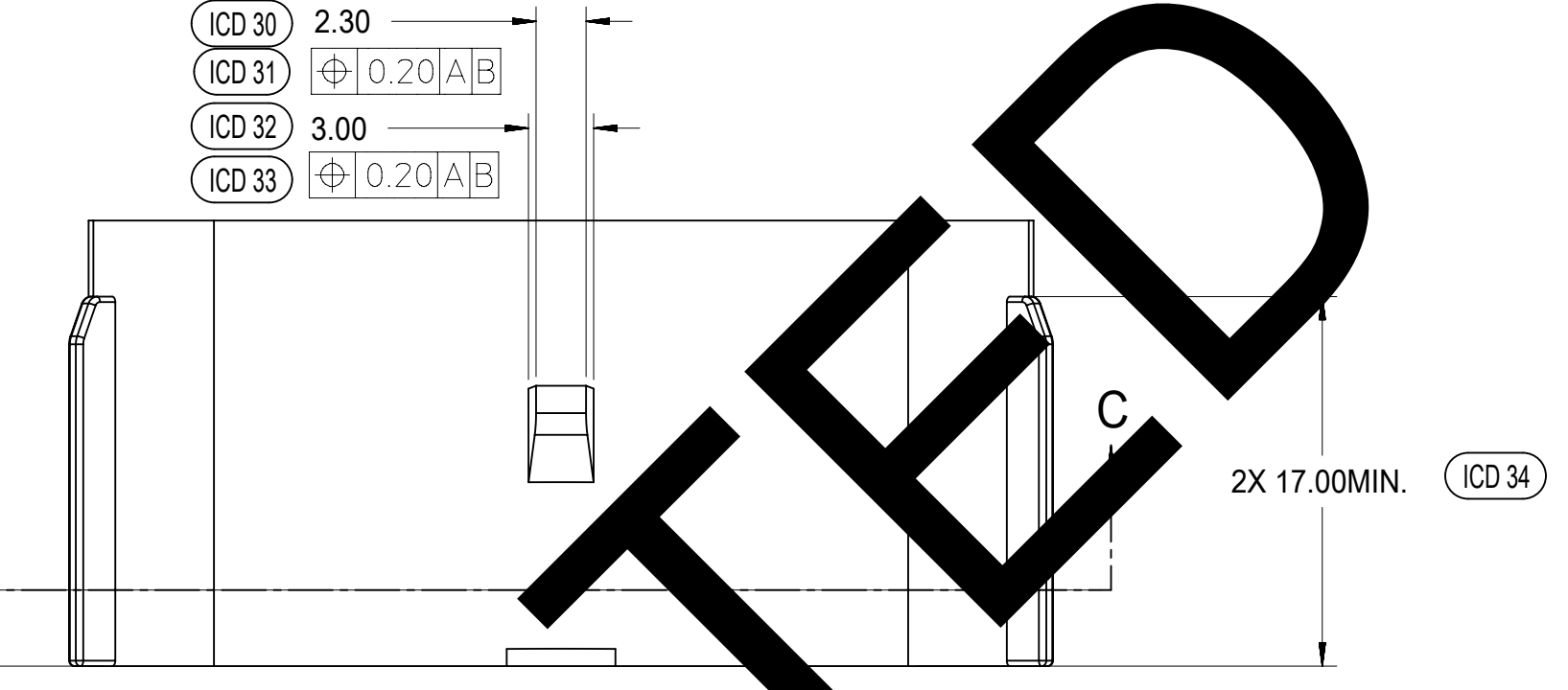
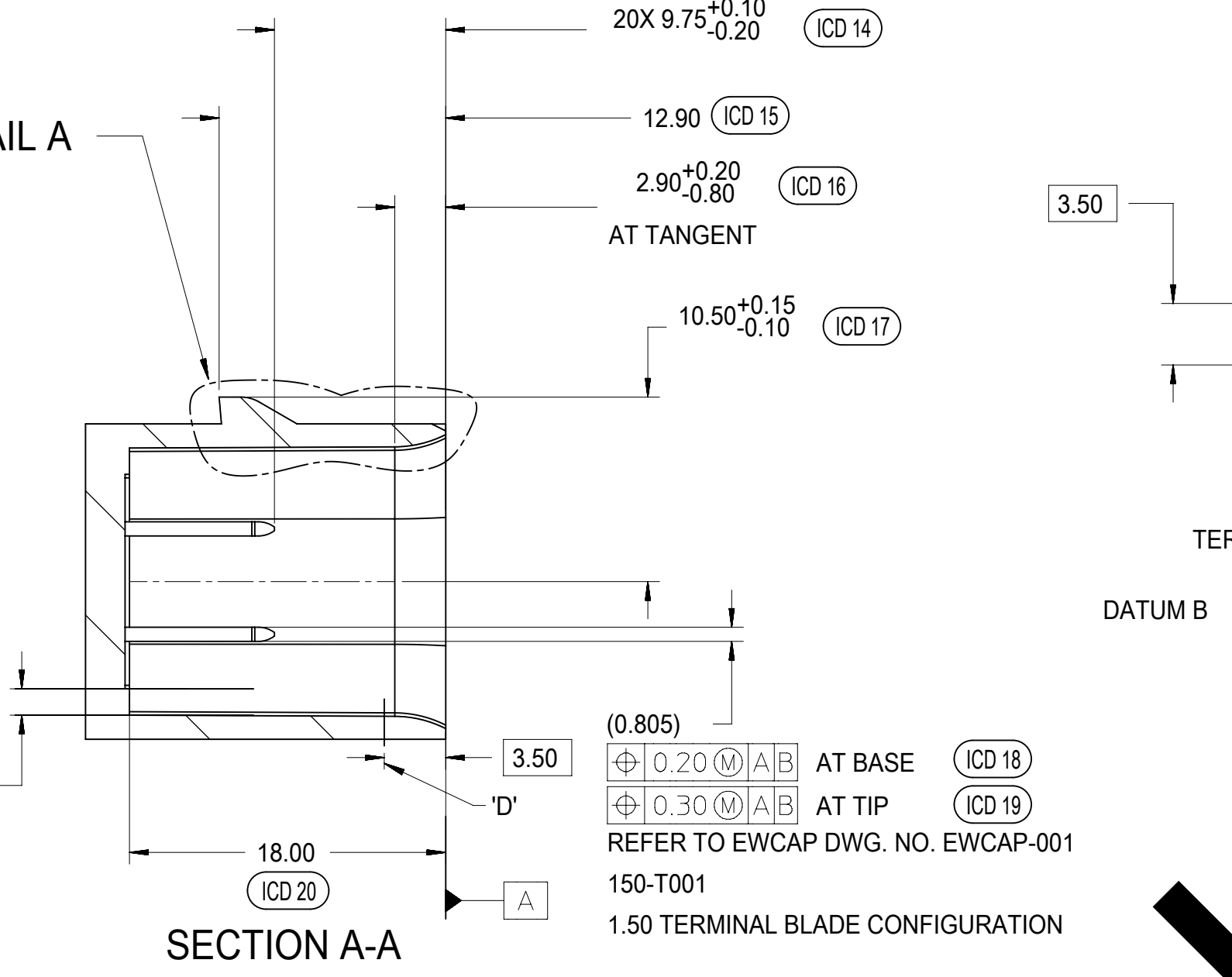
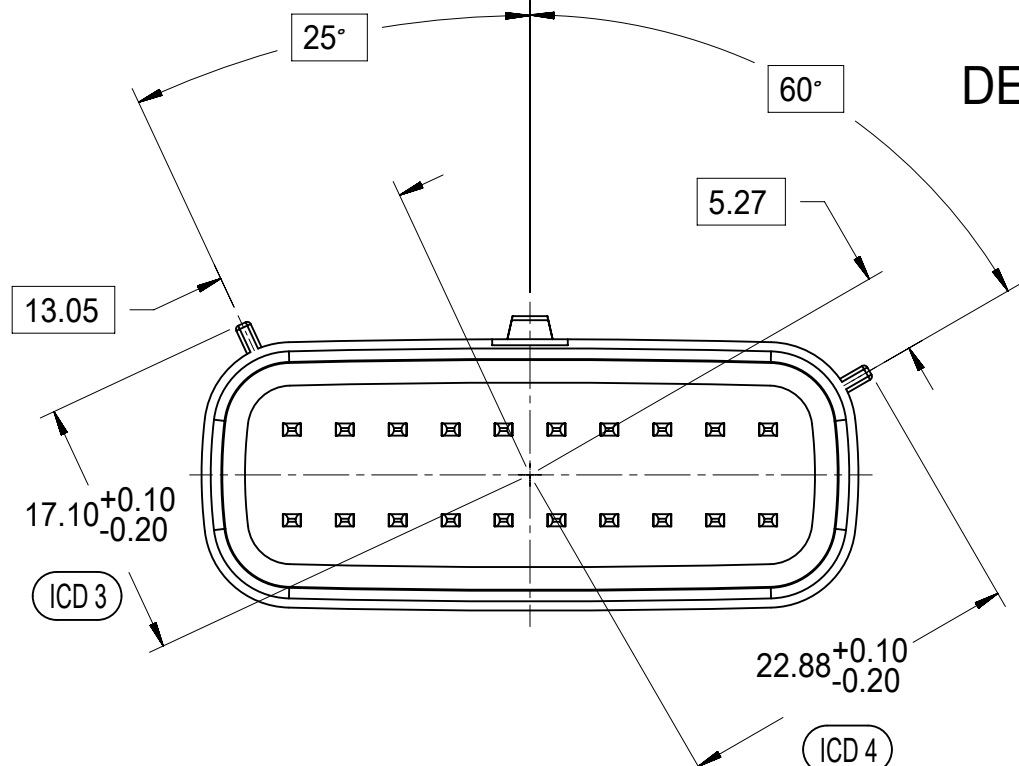
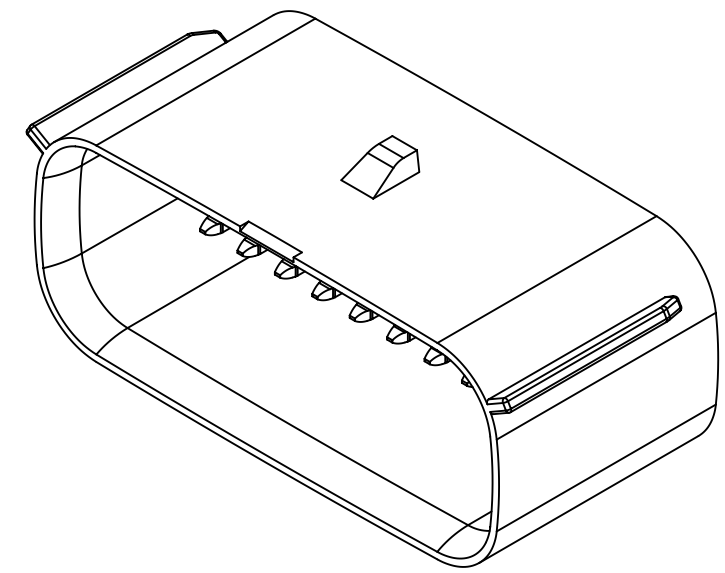
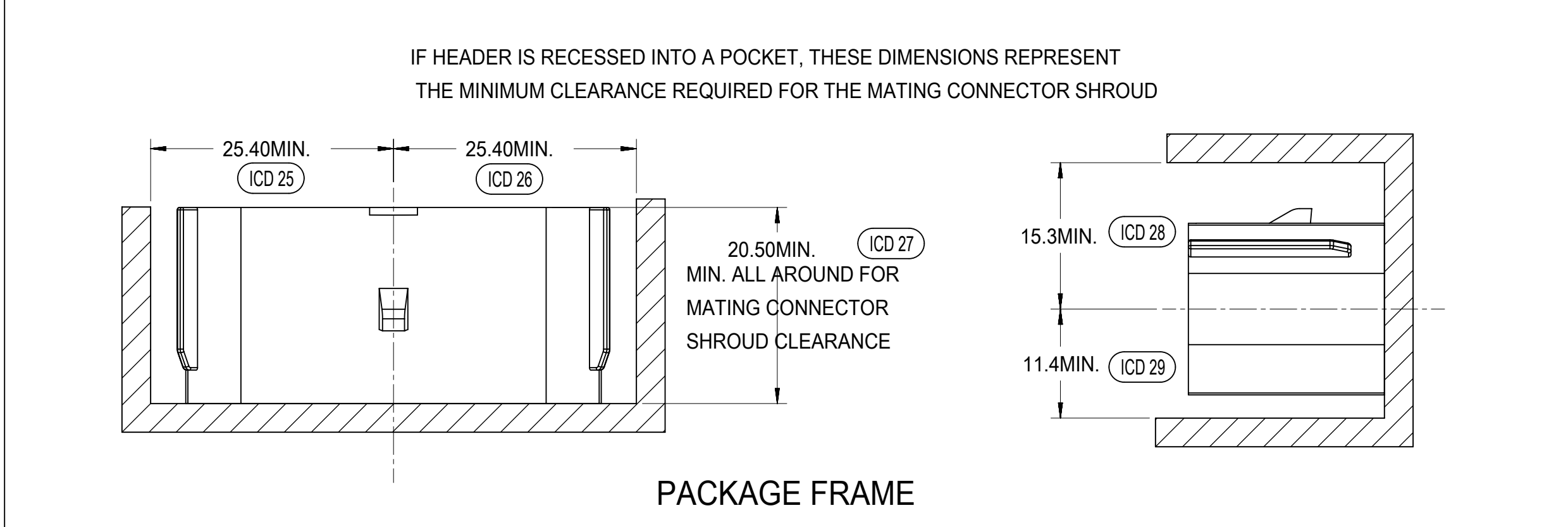
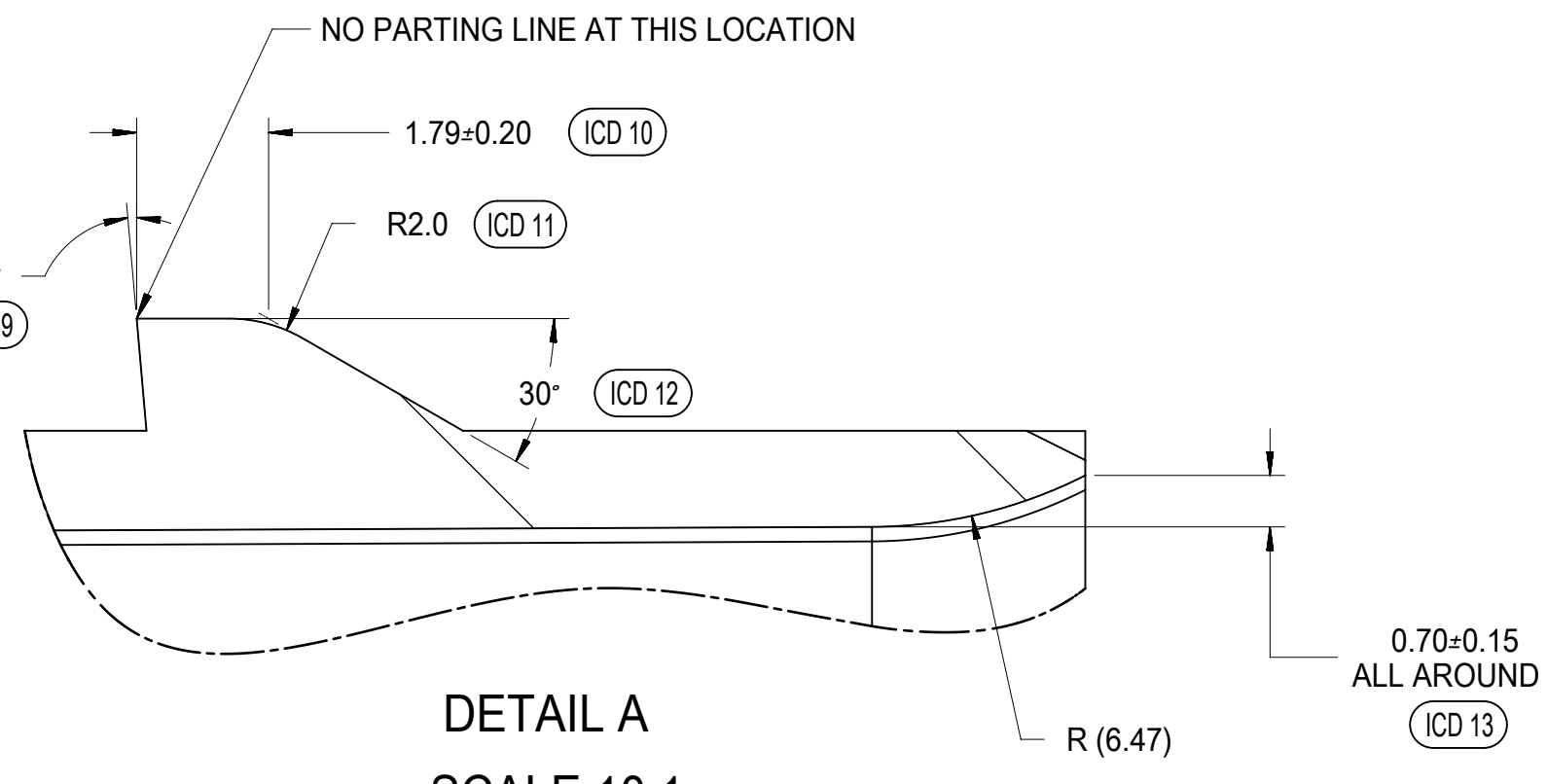
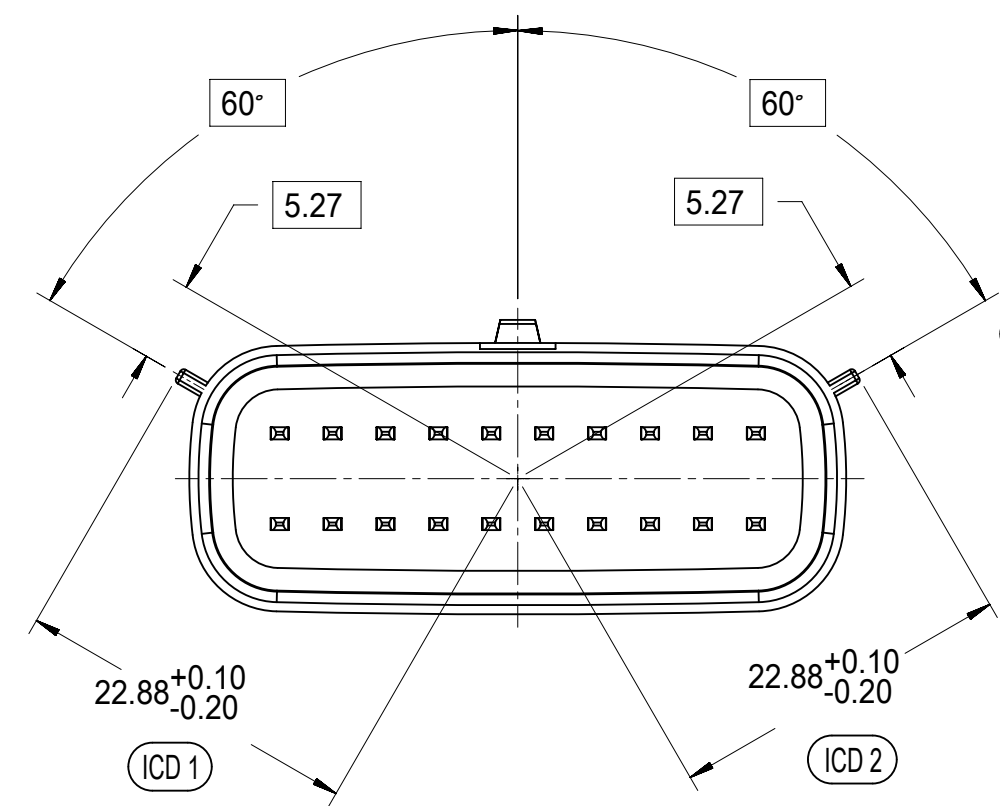
| | | | | |
|----------------|----|--------------|------------|----------|
| RELEASE STATUS | P1 | RELEASE DATE | 2018/02/16 | 22:02:25 |
|----------------|----|--------------|------------|----------|

SHEET DESCRIPTION
MOLEX BACKSHELL CONFIGURATIONS

| DESCRIPTION | DIMENSIONS | | | |
|-------------------|------------|-------|-------|-------|
| | J | K | L | M |
| 2X2 W/O CLIPSLOT | TBD | TBD | TBD | TBD |
| 2X2 W/ CLIP SLOT | TBD | TBD | TBD | TBD |
| 2X2 LENGTHENED | TBD | TBD | TBD | TBD |
| 2X4 W/ CLIPSLOT | 58.39 | 32.85 | 32.10 | 44.26 |
| 2X4 W/O CLIPSLOT | N/A | N/A | N/A | N/A |
| 2X8 W/ CLIPSLOT | 67.19 | 42.65 | 36.10 | 56.49 |
| 2X8 W/O CLIPSLOT | N/A | N/A | N/A | N/A |
| 2X10 W/ CLIPSLOT | 67.19 | 42.65 | 36.10 | 56.49 |
| 2X10 W/O CLIPSLOT | N/A | N/A | N/A | N/A |



| | | | | | |
|---|--|--|--|-------------------------------|--|
| SYMBOLS ▽ = 0 ▽ = 0 ▽ = 0 ▽ = 0 ▽ = 0 ▽ = 0 ▽ = 0 ▽ = 0 ▽ = 0 ▽ = 0 ▽ = 0 | THIS DRAWING CONTAINS INFORMATION THAT IS PROPRIETARY TO MOLEX ELECTRONIC TECHNOLOGIES, LLC AND SHOULD NOT BE USED WITHOUT WRITTEN PERMISSION DIMENSION UNITS: mm SCALE: 2.5:1 | CURRENT REV DESC: EC NO: 171650 DRWN: DDEB 2018/01/19 CHK'D: MVANSLAMBROU 2018/02/16 APPR: MVANSLAMBROU 2018/02/16 | | | |
| | GENERAL TOLERANCES (UNLESS SPECIFIED) ANGULAR TOL ± 1.0° 4 PLACES ± 3 PLACES ± 2 PLACES ± 0.1 1 PLACE ± 0.2 0 PLACES ± | | | | |
| DRAFT WHERE APPLICABLE MUST REMAIN WITHIN DIMENSIONS | THIRD ANGLE PROJECTION | DRAWING: A1-SIZE SERIES: 33472 | MATERIAL NUMBER CUSTOMER: GENERAL MARKET | SHEET NUMBER: 10 OF 11 | |



- MATING INTERFACE NOTES: VALID UNLESS OTHERWISE SPECIFIED
- GENERAL:
 - DESIGNED TO MATE WITH MOLEX CONNECTOR 33472-2XXX & 160008-0XXX & 160074-0XXX. A FULL SHROUD ON THE MATING CONNECTOR IS REQUIRED TO INSURE THAT THE CONNECTOR-HEADER POLARIZATION FEATURES (OPTIONS A THRU D) WILL FUNCTION. THE FULL SHROUD ALSO PREVENTS SCOOP DAMAGE TO THE HEADER PINS. REFER TO 'SAE/USCAR-12 CONNECTOR DESIGN GUIDE LINES' FOR ADDITIONAL INFORMATION.
 - PARTS MUST BE IN COMPLIANCE TO MOLEX CHEMICAL SUBSTANCES FOR PRODUCTS AND PACKAGING SPECIFICATION: ES-40000-5016
 - FLAMMABILITY REQUIREMENT: PER ISO3795 OR GM3191
 - BURN RATE 100mm/MIN MAXIMUM
 - MATERIAL MUST BE SELF EXTINGUISHING
 - MATERIALS:
 - MATERIAL: SPS/NYLON GF20, REGRIND 20% MAX BY WEIGHT
 - STANDARD COLORS FOR POLARIZATION (SEE KEYING OPTIONS TABLE). DEVIATION REQUIRES APPROVAL OF AUTHORIZED PERSON
 - FOR BLADE BASE MATERIAL, PLATING AND PROCESS LUBRICANT:
 - TIN: - BASE MATERIAL: COPPER ALLOY, CONDUCTIVITY >=60% IACS AT 20°C; TENSILE STRENGTH >= 410 N/mm² P - BARRIER MATERIAL: NICKEL DEPOSIT FROM NICKEL SULFAMATE PLATING SOLUTION W/O ANY ADDITIVES THICKNESS: 1.25 - 2.25 MICROMETERS - TOP LAYER: 100% ELECTRO-DEPOSITED TIN, MATTE FINISH THICKNESS: 2.5 - 4.0 MICROMETERS
 - SILVER: - BARRIER MATERIAL: ELECTRO-DEPOSITED DUCTILE SULPHAMATE NICKEL THICKNESS: 1.25 - 2.25 MICROMETERS - TOP LAYER: ELECTRO-DEPOSITED SEMI-BRIGHT PURE SILVER (0.5% MAX IMPURITIES) OVER NICKEL ANTI-TARNISH TREATMENT EVERBRIGHT WS THICKNESS: 1.9 - 3.3 MICROMETERS
 - BLADES MUST CONFORM TO ES-40000-5007, EXCEPT FOR SPECULAR REFLECTIVITY - SECTION 6.0
 - ANY PROCESS LUBRICANT REMAINING ON THE TERMINAL MUST NOT VARNISH OR DEGRADE IT'S ELECTRICAL PERFORMANCE UP TO A MAXIMUM CLASS AMBIENT TEMPERATURE PER SAE USCAR-2 FOR 1008 HOURS, PROCESS LUBRICANTS SHOULD BE APPROVED BY THE RESPONSIBLE ENGINEER.
 - INFORMATION FOR BLADE DESIGN WAS DEVELOPED FROM EWCAP DWG: EWCAP-001
 - GEOMETRY:
 - THIS IS A 100% CAD GENERATED PART. THE CAD MATHEMATICAL DATA IS THE MASTER FOR THIS PART. FOR DIMENSIONAL OR ANY INFORMATION NOT SHOWN ON THIS DRAWING, ANALYZE THE CAD MODEL.
 - GEOMETRIC DIMENSIONS AND TOLERANCES PER ASME Y14.5M - 1994
 - GENERAL TOLERANCES: SEE TITLE BLOCK
 - EDGES AND UNDIMENSIONED DETAILS PER ISO13715
 - MANUFACTURING:
 - DRAFT TO BE WITHIN TOLERANCE. PLUS DRAFT - INDICATES A DIMENSION REPRESENTS THE SMALLEST SIZE OF A FEATURE. DRAFT WILL ADD MATERIAL. MINUS DRAFT - INDICATES A DIMENSION REPRESENTS THE LARGEST SIZE OF A FEATURE. DRAFT WILL REMOVE MATERIAL.
 - ALLOWABLE FLASH MAX 0.20 HIGH BY MAX 0.13 THICK.
 - ALLOWABLE SPLIT/PARTING LINE MISMATCH 0.2 MAX.
 - VISUAL DEFECTS SHALL MEET COSMETIC STANDARD PS-45499-002 (Class B)
 - NO EXTERNAL MOLD RELEASE AGENT ALLOWED DURING MANUFACTURING
 - NO PARTING LINES, NO DRAFT, MISMATCHES OR EJECTOR MARKS PERMISSIBLE WITHIN SEALING SURFACE. SEALING SURFACE TOOLING TO BE PROCESSED TO SURFACE FINISH OF NITRA #700 PAPER MINIMUM.

NOT VALIDATED

| SYMBOLS | | THIS DRAWING CONTAINS INFORMATION THAT IS PROPRIETARY TO MOLEX ELECTRONIC TECHNOLOGIES, LLC AND SHOULD NOT BE USED WITHOUT WRITTEN PERMISSION | | CURRENT REV DESC. | |
|--|-------|---|--------------|-------------------|------|
| DIMENSION UNITS | SCALE | EC NO: | DRWN: | DATE: | REV: |
| mm | 1:1 | 171650 | DDEB | 2018/01/19 | |
| GENERAL TOLERANCES (UNLESS SPECIFIED) | | CHK'D: | MVANSLAMBROU | 2018/02/16 | |
| ANGULAR TOL ± 1.0° | | APPR: | MVANSLAMBROU | 2018/02/16 | |
| 4 PLACES ± | | INITIAL REVISION: | | | |
| 3 PLACES ± | | DRWN: | APROFFITT | 2014/05/14 | |
| 2 PLACES ± 0.1 | | APPR: | VKOSHY | 2014/06/27 | |
| 1 PLACE ± 0.2 | | THIRD ANGLE PROJECTION | | | |
| 0 PLACES ± | | DRAWING | | SERIES | |
| DRAFT WHERE APPLICABLE MUST REMAIN WITHIN DIMENSIONS | | A1-SIZE | | 33472 | |

| | | | | | |
|-----------------|--|----------------|--------------|--------------|----------|
| DOCUMENT STATUS | | P1 | RELEASE DATE | 2018/02/16 | 22:02:25 |
| DOCUMENT NUMBER | | DOC TYPE | | DOC PART | REVISION |
| SD-33472-0001 | | PSD | 001 | C2 | |
| MATERIAL NUMBER | | CUSTOMER | | SHEET NUMBER | |
| | | GENERAL MARKET | | 11 OF 11 | |

| PIN | OPTION | MATING CONNECTOR COLOR |
|-----------------|--------|------------------------|
| 150-S-020-2-D02 | D | STONE GRAY |
| 150-S-020-2-C02 | C | DK GRAY |
| 150-S-020-2-B02 | B | LT GRAY |
| 150-S-020-2-A02 | A | BLACK |

DETAIL C SCALE 20:1
APPLIES 2X
SEE KEYING OPTION VIEWS FOR POSITIONS

MX150 RECEPTACLE 2X2 SEALED ASSEMBLY MAT SEAL
BOM AND PIN OUT SHEET

CPA OPTIONAL SEE BOM

RING SEAL

CONNECTOR HOUSING FOR OPTIONS SEE BOM

PRIMARY LOCK REINFORCEMENT (PLR)

GROMMET CAP, LENGTHENED

GROMMET CAP, STANDARD

MAT SEAL

TERMINAL POSITION 1

TERMINAL POSITION 2

TERMINAL POSITION 3

TERMINAL POSITION 4

FOR ADDITIONAL INFORMATION SEE SD-33472-0001 OR E-33472-0001

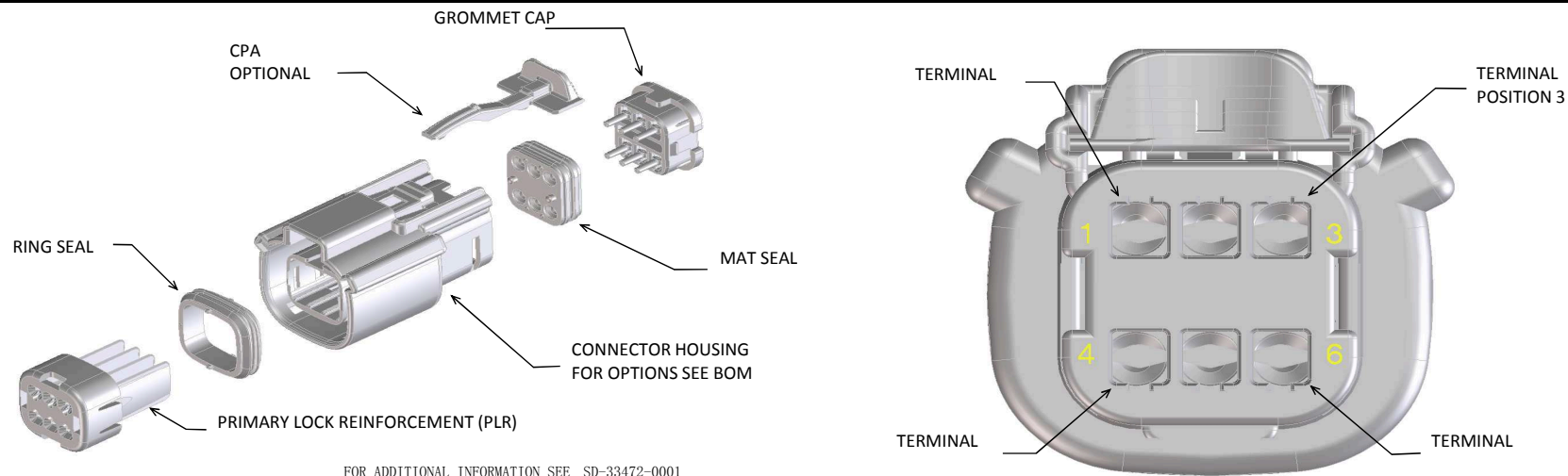
| ABBREVIATION | DESCRIPTION | COLOR | MATERIAL |
|--------------|--|------------|--------------------------------|
| A-BLK | HOUSING, KEYING OPTION A | BLACK | SPS/NYLON GF20 |
| B-LG | HOUSING, KEYING OPTION B | LIGHT GRAY | SPS/NYLON GF20 |
| C-BR | HOUSING, KEYING OPTION C | BROWN | SPS/NYLON GF20 |
| D-GR | HOUSING, KEYING OPTION D | GREEN | SPS/NYLON GF20 |
| C-DG | HOUSING, KEYING OPTION C | DARK GRAY | SPS/NYLON GF20 |
| D-SG | HOUSING, KEYING OPTION D | STONE GRAY | SPS/NYLON GF20 |
| A-YW | HOUSING, KEYING OPTION A | YELLOW | SPS/NYLON GF20 |
| A-BLK-CLIP | HOUSING, KEYING OPTION A WITH CLIPSLOT | BLACK | SPS/NYLON GF20 |
| B-LG-CLIP | HOUSING, KEYING OPTION B WITH CLIPSLOT | LIGHT GRAY | SPS/NYLON GF20 |
| C-DG-CLIP | HOUSING, KEYING OPTION C WITH CLIPSLOT | DARK GRAY | SPS/NYLON GF20 |
| D-SG-CLIP | HOUSING, KEYING OPTION D WITH CLIPSLOT | STONE GRAY | SPS/NYLON GF20 |
| A-YW-CLIP | HOUSING, KEYING OPTION A WITH CLIPSLOT | YELLOW | SPS/NYLON GF20 |
| GCP | GROMMET CAP (STANDARD PLUGGED) | BLACK | SPS/NYLON GF20 |
| GCO | GROMMET CAP (STANDARD OPEN) | BLACK | SPS/NYLON GF20 |
| GCLP | GROMMET CAP (LENGTHENED PLUGGED) | BLACK | SPS/NYLON GF20 |
| GCLO | GROMMET CAP (LENGTHENED OPEN) | BLACK | SPS/NYLON GF20 |
| PLR | PLR | NATURAL | SPS/NYLON GF20 |
| CPA | CPA | RED | PBT GF30 |
| M | MAT SEAL | RUST RED | INHERENTLY LUBRICATED SILICONE |
| R | RING SEAL | GREEN | INHERENTLY LUBRICATED SILICONE |

| ASSEMBLY DESCRIPTION | ASSEMBLY PART NUMBER | COMPONENT | | | | | | BLOCKED TERMINALS | | | | | | | | | | | | | | | | STATUS | COMMENTS | OPTIONAL ATTACHMENTS SOLD SEPARATELY | | |
|----------------------------|----------------------|---|-------------|-----|-----|----------|-----------|-------------------|--|---|---|--|--|--|--|--|--|--|--|--|--|--|--|----------|-----------------|--------------------------------------|------------------------|--|
| | | THE PRESENCE OF AN ABBREVIATION INDICATES THE PRESENCE OF THAT COMPONENT. | | | | | | | CAVITY WITH A NUMBER INDICATES BLOCKED TERMINAL POSITION CAVITY WITHOUT A NUMBER INDICATES OPEN TERMINAL POSITION | | | | | | | | | | | | | | | | | BACKSHELL WITH RIBS | BACKSHELL WITHOUT RIBS | |
| | | HOUSING KEY/COLOR | GROMMET CAP | PLR | CPA | MAT SEAL | RING SEAL | 1 | 2 | 3 | 4 | | | | | | | | | | | | | | | | | |
| KEY A, BLACK, W/O CPA | 33472-4001 | A-BLK | GCO | PLR | | M | R | | | | | | | | | | | | | | | | | SALEABLE | | | | |
| KEY B, LIGHT GRAY, W/O CPA | 33472-4002 | B-LG | GCO | PLR | | M | R | | | | | | | | | | | | | | | | | | SALEABLE | | | |
| KEY C, BROWN, W/O CPA | 33472-4003 | C-BR | GCO | PLR | | M | R | | | | | | | | | | | | | | | | | | NOT RECOMMENDED | SEE 33472-4042 | | |
| KEY D, GREEN, W/O CPA | 33472-4004 | D-GR | GCO | PLR | | M | R | | | | | | | | | | | | | | | | | | NOT RECOMMENDED | SEE 33472-4043 | | |
| KEY A, BLACK, W/CPA | 33472-4005 | A-BLK | GCO | PLR | CPA | M | R | | | | | | | | | | | | | | | | | | SALEABLE | | | |
| KEY B, LIGHT GRAY, W/CPA | 33472-4007 | B-LG | GCO | PLR | CPA | M | R | | | | | | | | | | | | | | | | | | SALEABLE | | | |
| KEY C, BROWN, W/CPA | 33472-4008 | C-BR | GCO | PLR | CPA | M | R | | | | | | | | | | | | | | | | | | NOT RECOMMENDED | SEE 33472-4044 | | |
| KEY D, GREEN, W/CPA | 33472-4009 | D-GR | GCO | PLR | CPA | M | R | | | | | | | | | | | | | | | | | | NOT RECOMMENDED | SEE 33472-4045 | | |
| KEY A, BLACK, W/O CPA | 33472-4031 | A-BLK | GCP | PLR | | M | R | 1 | 2 | 3 | 4 | | | | | | | | | | | | | | SALEABLE | | | |
| KEY B, LIGHT GRAY, W/O CPA | 33472-4032 | B-LG | GCP | PLR | | M | R | 1 | 2 | 3 | 4 | | | | | | | | | | | | | | SALEABLE | | | |
| KEY C, BROWN, W/O CPA | 33472-4033 | C-BR | GCP | PLR | | M | R | 1 | 2 | 3 | 4 | | | | | | | | | | | | | | NOT RECOMMENDED | SEE 33472-4046 | | |
| KEY D, GREEN, W/O CPA | 33472-4034 | D-GR | GCP | PLR | | M | R | 1 | 2 | 3 | 4 | | | | | | | | | | | | | | NOT RECOMMENDED | SEE 33472-4047 | | |
| KEY A, BLACK, W/O CPA | 33472-4101 | A-BLK | GCLO | PLR | | M | R | | | | | | | | | | | | | | | | | | SALEABLE | | | |
| KEY B, LIGHT GRAY, W/O CPA | 33472-4102 | B-LG | GCLO | PLR | | M | R | | | | | | | | | | | | | | | | | | SALEABLE | | | |
| KEY C, DARK GRAY, W/O CPA | 33472-4103 | C-DG | GCLO | PLR | | M | R | | | | | | | | | | | | | | | | | | SALEABLE | | | |
| KEY D, STONE GRAY, W/O CPA | 33472-4104 | D-SG | GCLO | PLR | | M | R | | | | | | | | | | | | | | | | | | SALEABLE | | | |
| KEY A, BLACK, W/CPA | 33472-4105 | A-BLK | GCLO | PLR | CPA | M | R | | | | | | | | | | | | | | | | | | SALEABLE | | | |
| KEY B, LIGHT GRAY, W/CPA | 33472-4106 | B-LG | GCLO | PLR | CPA | M | R | | | | | | | | | | | | | | | | | | SALEABLE | | | |
| KEY C, DARK GRAY, W/CPA | 33472-4107 | C-DG | GCLO | PLR | CPA | M | R | | | | | | | | | | | | | | | | | | SALEABLE | | | |
| KEY D, STONE GRAY, W/CPA | 33472-4108 | D-SG | GCLO | PLR | CPA | M | R | | | | | | | | | | | | | | | | | | SALEABLE | | | |
| KEY A, BLACK, W/O CPA | 33472-4109 | A-BLK | GCLP | PLR | | M | R | 1 | 2 | 3 | 4 | | | | | | | | | | | | | | SALEABLE | | | |
| KEY B, LIGHT GRAY, W/O CPA | 33472-4110 | B-LG | GCLP | PLR | | M | R | 1 | 2 | 3 | 4 | | | | | | | | | | | | | | SALEABLE | | | |
| KEY C, DARK GRAY, W/O CPA | 33472-4111 | C-DG | GCLP | PLR | | M | R | 1 | 2 | 3 | 4 | | | | | | | | | | | | | | SALEABLE | | | |
| KEY D, STONE GRAY, W/O CPA | 33472-4112 | D-SG | GCLP | PLR | | M | R | 1 | 2 | 3 | 4 | | | | | | | | | | | | | | SALEABLE | | | |
| OBSELETE | 33472-4113 | | | | | | | | | | | | | | | | | | | | | | | | OBSELETE | | | |
| OBSELETE | 33472-4114 | | | | | | | | | | | | | | | | | | | | | | | | OBSELETE | | | |
| OBSELETE | 33472-4115 | | | | | | | | | | | | | | | | | | | | | | | | OBSELETE | | | |
| OBSELETE | 33472-4116 | | | | | | | | | | | | | | | | | | | | | | | | OBSELETE | | | |
| OBSELETE | 33472-4117 | | | | | | | | | | | | | | | | | | | | | | | | OBSELETE | | | |
| KEY A, BLACK, W/O CPA | 33472-4035 | A-BLK | GCP | PLR | | M | R | | 2 | 3 | | | | | | | | | | | | | | | SALEABLE | | | |
| KEY A, BLACK, W/O CPA | 33472-4036 | A-BLK | GCP | PLR | | M | R | 1 | 2 | 3 | | | | | | | | | | | | | | | SALEABLE | | | |
| KEY A, BLACK, W/O CPA | 33472-4037 | A-BLK | GCP | PLR | | M | R | | | 3 | 4 | | | | | | | | | | | | | | SALEABLE | | | |
| KEY A, BLACK, W/O CPA | 33472-4038 | A-BLK | GCP | PLR | | M | R | | | | 3 | | | | | | | | | | | | | | SALEABLE | | | |
| KEY A, BLACK, W/O CPA | 33472-4039 | A-BLK | GCP | PLR | | M | R | | | | 4 | | | | | | | | | | | | | | SALEABLE | | | |



MX150 RECEPTACLE 2X2 SEALED ASSEMBLY MAT SEAL
BOM AND PIN OUT SHEET

| ASSEMBLY DESCRIPTION | ASSEMBLY PART NUMBER | COMPONENT | | | | | | BLOCKED TERMINALS | | | | | | | | | | | | | | STATUS | COMMENTS | OPTIONAL ATTACHMENTS SOLD SEPERATELY | | | | | | | | | |
|---|----------------------|---|-------------|-----|-----|----------|-----------|--|---|---|---|---|---|--|--|--|--|--|--|--|--|--------|----------|--------------------------------------|------------------------|--|--|--|----------|----------------|--|--|--|
| | | THE PRESENCE OF AN ABBREVIATION INDICATES THE PRESENCE OF THAT COMPONENT. | | | | | | CAVITY WITH A NUMBER INDICATES BLOCKED TERMINAL POSITION CAVITY WITHOUT A NUMBER INDICATES OPEN TERMINAL POSITION | | | | | | | | | | | | | | | | BACKSHELL WITH RIBS | BACKSHELL WITHOUT RIBS | | | | | | | | |
| | | HOUSING KEY/COLOR | GROMMET CAP | PLR | CPA | MAT SEAL | RING SEAL | 1 | 2 | 3 | 4 | | | | | | | | | | | | | | | | | | | | | | |
| KEY A, BLACK, W/O CPA | 33472-4040 | A-BLK | GCP | PLR | | M | R | | | 2 | | | | | | | | | | | | | | | | | | | SALEABLE | | | | |
| KEY A, BLACK, W/O CPA | 33472-4041 | A-BLK | GCP | PLR | | M | R | | 1 | 2 | | | | | | | | | | | | | | | | | | | | SALEABLE | | | |
| KEY C, DARK GRAY, W/O CPA | 33472-4042 | C-DG | GCO | PLR | | M | R | | | | | | | | | | | | | | | | | | | | | | | SALEABLE | | | |
| KEY D, STONE GRAY, W/O CPA | 33472-4043 | D-SG | GCO | PLR | | M | R | | | | | | | | | | | | | | | | | | | | | | | SALEABLE | | | |
| KEY C, DARK GRAY, W/CPA | 33472-4044 | C-DG | GCO | PLR | CPA | M | R | | | | | | | | | | | | | | | | | | | | | | | SALEABLE | | | |
| KEY D, STONE GRAY, W/CPA | 33472-4045 | D-SG | GCO | PLR | CPA | M | R | | | | | | | | | | | | | | | | | | | | | | | SALEABLE | | | |
| KEY C, DARK GRAY, W/O CPA | 33472-4046 | C-DG | GCP | PLR | | M | R | | 1 | 2 | 3 | 4 | | | | | | | | | | | | | | | | | | SALEABLE | | | |
| KEY D, STONE GRAY, W/O CPA | 33472-4047 | D-SG | GCP | PLR | | M | R | | 1 | 2 | 3 | 4 | | | | | | | | | | | | | | | | | | SALEABLE | | | |
| KEY A, BLACK, W/O CPA | 33472-4048 | A-BLK | GCP | PLR | | M | R | | | 2 | | 4 | | | | | | | | | | | | | | | | | | SALEABLE | | | |
| KEY A, BLACK, W/CPA | 33472-4049 | A-BLK | GCP | PLR | CPA | M | R | | | 2 | | | | | | | | | | | | | | | | | | | | SALEABLE | | | |
| KEY A, BLACK, W/CPA | 33472-4050 | A-BLK | GCP | PLR | CPA | M | R | | | | 3 | | | | | | | | | | | | | | | | | | | SALEABLE | | | |
| KEY A, BLACK, W/CPA | 33472-4051 | A-BLK | GCP | PLR | CPA | M | R | | | | | 4 | | | | | | | | | | | | | | | | | | SALEABLE | | | |
| KEY A, BLACK, W/O CPA | 33472-4052 | A-BLK | GCP | PLR | | M | R | | | 2 | | 4 | | | | | | | | | | | | | | | | | | SALEABLE | | | |
| KEY A, YELLOW, W/CPA | 33472-4053 | A-YW | GCO | PLR | CPA | M | R | | | | | | 4 | | | | | | | | | | | | | | | | | SALEABLE | | | |
| KEY A, BLACK, W/O CPA | 33472-4054 | A-BLK | GCP | PLR | | M | R | | 1 | | 3 | | | | | | | | | | | | | | | | | | | SALEABLE | | | |
| KEY B, LIGHT GRAY, W/CPA | 33472-4055 | B-LG | GCP | PLR | CPA | M | R | | 1 | | | | | | | | | | | | | | | | | | | | | SALEABLE | | | |
| KEY A, BLACK, W/O CPA | 33472-4056 | A-BLK | GCP | PLR | | M | R | | 1 | | | | | | | | | | | | | | | | | | | | | SALEABLE | | | |
| KEY A, BLACK, W/CPA | 33472-4057 | A-BLK | GCP | PLR | CPA | M | R | | 1 | 2 | 3 | 4 | | | | | | | | | | | | | | | | | | SALEABLE | | | |
| KEY A, BLACK, W/CPA | 33472-4058 | A-BLK | GCP | PLR | CPA | M | R | | | 2 | 3 | | | | | | | | | | | | | | | | | | | SALEABLE | | | |
| KEY A, BLACK, WITH CLIPSLOT, W/O CPA | 33472-0501 | A-BLK-CLIP | GCO | PLR | | M | R | | | | | | | | | | | | | | | | | | | | | | | DESIGN RELEASE | | | |
| KEY B, LIGHT GRAY, WITH CLIPSLOT, W/O CPA | 33472-0502 | B-LG-CLIP | GCO | PLR | | M | R | | | | | | | | | | | | | | | | | | | | | | | DESIGN RELEASE | | | |
| KEY C, DARK GRAY, WITH CLIPSLOT, W/O CPA | 33472-0503 | C-DG-CLIP | GCO | PLR | | M | R | | | | | | | | | | | | | | | | | | | | | | | DESIGN RELEASE | | | |
| KEY D, STONE GRAY, WITH CLIPSLOT, W/O CPA | 33472-0504 | D-SG-CLIP | GCO | PLR | | M | R | | | | | | | | | | | | | | | | | | | | | | | DESIGN RELEASE | | | |
| KEY A, YELLOW, WITH CLIPSLOT, W/O CPA | 33472-0505 | A-YW-CLIP | GCO | PLR | | M | R | | | | | | | | | | | | | | | | | | | | | | | DESIGN RELEASE | | | |
| KEY A, BLACK, WITH CLIPSLOT, W/CPA | 33472-0506 | A-BLK-CLIP | GCO | PLR | CPA | M | R | | | | | | | | | | | | | | | | | | | | | | | DESIGN RELEASE | | | |
| KEY B, LIGHT GRAY, WITH CLIPSLOT, W/CPA | 33472-0507 | B-LG-CLIP | GCO | PLR | CPA | M | R | | | | | | | | | | | | | | | | | | | | | | | DESIGN RELEASE | | | |
| KEY C, DARK GRAY, WITH CLIPSLOT, W/CPA | 33472-0508 | C-DG-CLIP | GCO | PLR | CPA | M | R | | | | | | | | | | | | | | | | | | | | | | | DESIGN RELEASE | | | |
| KEY D, STONE GRAY, WITH CLIPSLOT, W/CPA | 33472-0509 | D-SG-CLIP | GCO | PLR | CPA | M | R | | | | | | | | | | | | | | | | | | | | | | | DESIGN RELEASE | | | |
| KEY A, YELLOW, WITH CLIPSLOT, W/CPA | 33472-0510 | A-YW-CLIP | GCO | PLR | CPA | M | R | | | | | | | | | | | | | | | | | | | | | | | DESIGN RELEASE | | | |



FOR ADDITIONAL INFORMATION SEE SD-33472-0001
OR E-33472-0001

| ABBREVIATION | DESCRIPTION | COLOR | MATERIAL |
|--------------|--|------------|--------------------------------|
| A-BLK | HOUSING, KEYING OPTION A | BLACK | SPS/NYLON GF20 |
| B-LG | HOUSING, KEYING OPTION B | LIGHT GRAY | SPS/NYLON GF20 |
| C-BR | HOUSING, KEYING OPTION C | BROWN | SPS/NYLON GF20 |
| D-GR | HOUSING, KEYING OPTION D | GREEN | SPS/NYLON GF20 |
| C-DG | HOUSING, KEYING OPTION C | DARK GRAY | SPS/NYLON GF20 |
| D-SG | HOUSING, KEYING OPTION D | STONE GRAY | SPS/NYLON GF20 |
| A-YW | HOUSING, KEYING OPTION A | YELLOW | SPS/NYLON GF20 |
| A-BLK-CLIP | HOUSING, KEYING OPTION A WITH CLIPSLOT | BLACK | SPS/NYLON GF20 |
| B-LG-CLIP | HOUSING, KEYING OPTION B WITH CLIPSLOT | LIGHT GRAY | SPS/NYLON GF20 |
| C-BR-CLIP | HOUSING, KEYING OPTION C WITH CLIPSLOT | BROWN | SPS/NYLON GF20 |
| D-GR-CLIP | HOUSING, KEYING OPTION D WITH CLIPSLOT | GREEN | SPS/NYLON GF20 |
| C-DG-CLIP | HOUSING, KEYING OPTION C WITH CLIPSLOT | DARK GRAY | SPS/NYLON GF20 |
| D-SG-CLIP | HOUSING, KEYING OPTION D WITH CLIPSLOT | STONE GRAY | SPS/NYLON GF20 |
| A-SG-CLIP | HOUSING, KEYING OPTION A WITH CLIPSLOT | YELLOW | SPS/NYLON GF20 |
| GC | GROMMET CAP | BLACK | SPS/NYLON GF20 |
| PLR | PLR | NATURAL | SPS/NYLON GF20 |
| CPA | CPA | RED | PBT GF30 |
| M | MAT SEAL | LIGHT BLUE | INHERENTLY LUBRICATED SILICONE |
| R | RING SEAL | RUST RED | INHERENTLY LUBRICATED SILICONE |

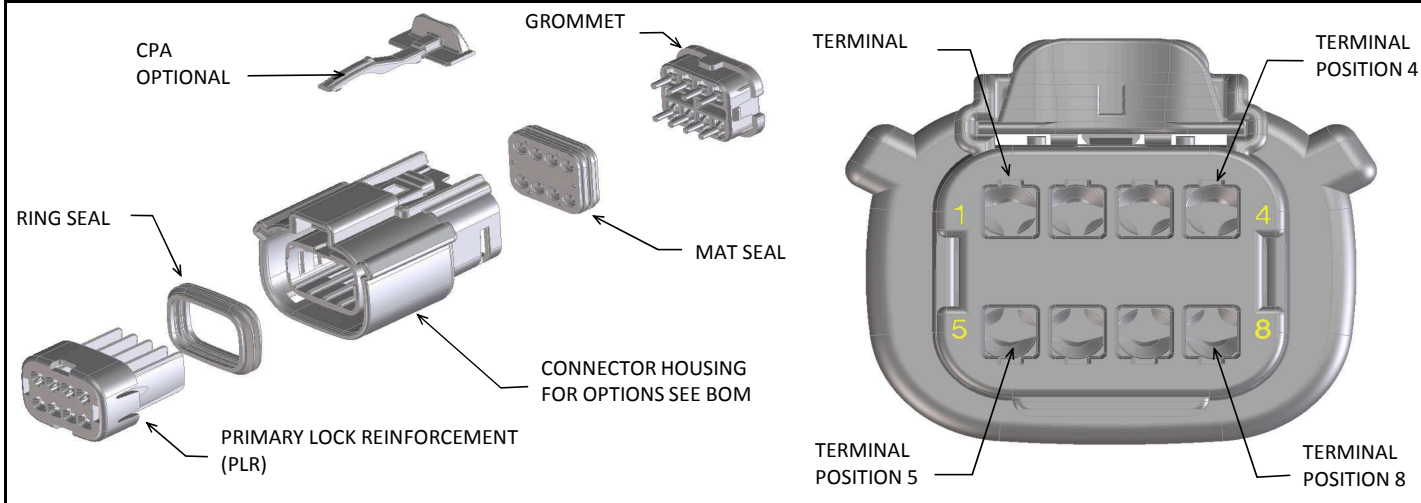
| ASSEMBLY DESCRIPTION | ASSEMBLY PART NUMBER | COMPONENT | | | | | | | BLOCKED TERMINALS | | | | | | STATUS | COMMENTS | OPTIONAL ATTACHMENTS SOLD SEPARATELY | | |
|--|----------------------|---|-------------|-----|-----|----------|-----------|---|--|---|---|---|---|---|-----------------|------------------------|--------------------------------------|------------------------|------------|
| | | THE PRESENCE OF AN ABBREVIATION INDICATES THE PRESENCE OF THAT COMPONENT. | | | | | | | CAVITY WITH A NUMBER INDICATES BLOCKED TERMINAL POSITION CAVITY WITHOUT A NUMBER INDICATES OPEN TERMINAL POSITION | | | | | | | | BACKSHELL WITH RIBS | BACKSHELL WITHOUT RIBS | |
| | | HOUSING KEY/COLOR | GROMMET CAP | PLR | CPA | MAT SEAL | RING SEAL | 1 | 2 | 3 | 4 | 5 | 6 | | | | | | |
| KEY A, BLACK, W/O CPA | 33472-0601 | A-BLK | GC | PLR | | M | R | | | | | | | | SALEABLE | | 34951-0610 | 34951-0620 | |
| KEY B, LIGHT GRAY, W/O CPA | 33472-0602 | B-LG | GC | PLR | | M | R | | | | | | | | SALEABLE | | 34951-0610 | 34951-0620 | |
| KEY C, BROWN, W/O CPA | 33472-0603 | C-BR | GC | PLR | | M | R | | | | | | | | NOT RECOMMENDED | SEE P/N 33472-0669 | 34951-0610 | 34951-0620 | |
| KEY D, GREEN, W/O CPA | 33472-0604 | D-GR | GC | PLR | | M | R | | | | | | | | NOT RECOMMENDED | SEE P/N 33472-0668 | 34951-0610 | 34951-0620 | |
| VOID KEY | 33472-0605 | | | | | | | | | | | | | | | | | | |
| KEY A, BLACK, W/CPA | 33472-0606 | A-BLK | GC | PLR | CPA | M | R | | | | | | | | SALEABLE | | 34951-0610 | 34951-0620 | |
| KEY B, LIGHT GRAY, W/CPA | 33472-0607 | B-LG | GC | PLR | CPA | M | R | | | | | | | | SALEABLE | | 34951-0610 | 34951-0620 | |
| KEY C, BROWN, W/CPA | 33472-0608 | C-BR | GC | PLR | CPA | M | R | | | | | | | | NOT RECOMMENDED | SEE P/N 33472-0670 | 34951-0610 | 34951-0620 | |
| KEY D, GREEN, W/CPA | 33472-0609 | D-GR | GC | PLR | CPA | M | R | | | | | | | | NOT RECOMMENDED | SEE P/N 33472-0671 | 34951-0610 | 34951-0620 | |
| VOID KEY | 33472-0610 | | | | | | | | | | | | | | | | | | |
| KEY A, BLACK, W/O CPA | 33472-0611 | A-BLK | GC | PLR | | M | R | | | 3 | | | | | SALEABLE | SAME AS P/N 33472-0658 | 34951-0610 | 34951-0620 | |
| KEY B, LIGHT GRAY, W/O CPA | 33472-0612 | B-LG | GC | PLR | | M | R | | | 3 | | | | | SALEABLE | | 34951-0610 | 34951-0620 | |
| KEY C, BROWN, W/O CPA | 33472-0613 | C-BR | GC | PLR | | M | R | | | 3 | | | | | NOT RECOMMENDED | | 34951-0610 | 34951-0620 | |
| KEY D, GREEN, W/O CPA | 33472-0614 | D-GR | GC | PLR | | M | R | | | 3 | | | | | NOT RECOMMENDED | | 34951-0610 | 34951-0620 | |
| VOID KEY | 33472-0615 | | | | | | | | | | | | | | | | | | |
| KEY A, BLACK, W/CPA | 33472-0616 | A-BLK | GC | PLR | CPA | M | R | | | 3 | | | | | SALEABLE | | 34951-0610 | 34951-0620 | |
| KEY B, LIGHT GRAY, W/CPA | 33472-0617 | B-LG | GC | PLR | CPA | M | R | | | 3 | | | | | SALEABLE | | 34951-0610 | 34951-0620 | |
| KEY C, BROWN, W/CPA | 33472-0618 | C-BR | GC | PLR | CPA | M | R | | | 3 | | | | | NOT RECOMMENDED | | 34951-0610 | 34951-0620 | |
| KEY D, GREEN, W/CPA | 33472-0619 | D-GR | GC | PLR | CPA | M | R | | | 3 | | | | | NOT RECOMMENDED | | 34951-0610 | 34951-0620 | |
| VOID KEY | 33472-0620 | | | | | | | | | | | | | | | | | | |
| KEY A, BLACK, W/O CPA | 33472-0621 | A-BLK | GC | PLR | | M | R | | | 3 | 4 | | | | SALEABLE | | 34951-0610 | 34951-0620 | |
| KEY B, LIGHT GRAY, W/O CPA | 33472-0622 | B-LG | GC | PLR | | M | R | | | 3 | 4 | | | | SALEABLE | | 34951-0610 | 34951-0620 | |
| KEY C, BROWN, W/O CPA | 33472-0623 | C-BR | GC | PLR | | M | R | | | 3 | 4 | | | | NOT RECOMMENDED | | 34951-0610 | 34951-0620 | |
| KEY D, GREEN, W/O CPA | 33472-0624 | D-GR | GC | PLR | | M | R | | | 3 | 4 | | | | NOT RECOMMENDED | | 34951-0610 | 34951-0620 | |
| VOID KEY | 33472-0625 | | | | | | | | | | | | | | | | | | |
| KEY A, BLACK, W/CPA | 33472-0626 | A-BLK | GC | PLR | CPA | M | R | | | 3 | 4 | | | | SALEABLE | | 34951-0610 | 34951-0620 | |
| KEY B, LIGHT GRAY, W/CPA | 33472-0627 | B-LG | GC | PLR | CPA | M | R | | | 3 | 4 | | | | SALEABLE | | 34951-0610 | 34951-0620 | |
| KEY C, BROWN, W/CPA | 33472-0628 | C-BR | GC | PLR | CPA | M | R | | | 3 | 4 | | | | NOT RECOMMENDED | | 34951-0610 | 34951-0620 | |
| KEY D, GREEN, W/CPA | 33472-0629 | D-GR | GC | PLR | CPA | M | R | | | 3 | 4 | | | | NOT RECOMMENDED | | 34951-0610 | 34951-0620 | |
| VOID KEY | 33472-0630 | | | | | | | | | | | | | | | | | | |
| KEY A, BLACK, W/O CPA, W/O MAT SEAL | 33472-0631 | A-BLK | GC | PLR | | | R | | | | | | | | NOT VALIDATED | | 34951-0610 | 34951-0620 | |
| KEY B, LIGHT GRAY, W/O CPA, W/O MAT SEAL | 33472-0632 | B-LG | GC | PLR | | | R | | | | | | | | NOT VALIDATED | | 34951-0610 | 34951-0620 | |
| KEY C, BROWN, W/O CPA, W/O MAT SEAL | 33472-0633 | C-BR | GC | PLR | | | R | | | | | | | | NOT RECOMMENDED | NOT VALIDATED | 34951-0610 | 34951-0620 | |
| KEY D, GREEN, W/O CPA, W/O MAT SEAL | 33472-0634 | D-GR | GC | PLR | | | R | | | | | | | | NOT RECOMMENDED | NOT VALIDATED | 34951-0610 | 34951-0620 | |
| VOID KEY | 33472-0635 | | | | | | | | | | | | | | | | | | |
| KEY A, BLACK, W/O CPA | 33472-0636 | A-BLK | GC | PLR | | M | R | | | 1 | 2 | 3 | 4 | 5 | 6 | SALEABLE | | 34951-0610 | 34951-0620 |
| KEY B, LIGHT GRAY, W/O CPA | 33472-0637 | B-LG | GC | PLR | | M | R | | | 1 | 2 | 3 | 4 | 5 | 6 | SALEABLE | | 34951-0610 | 34951-0620 |
| KEY C, BROWN, W/O CPA | 33472-0638 | C-BR | GC | PLR | | M | R | | | 1 | 2 | 3 | 4 | 5 | 6 | NOT RECOMMENDED | SEE P/N 33472-0749 | 34951-0610 | 34951-0620 |
| KEY D, GREEN, W/O CPA | 33472-0639 | D-GR | GC | PLR | | M | R | | | 1 | 2 | 3 | 4 | 5 | 6 | NOT RECOMMENDED | SEE P/N 33472-0750 | 34951-0610 | 34951-0620 |
| VOID KEY | 33472-0640 | | | | | | | | | | | | | | | | | | |
| KEY A, BLACK, W/O CPA | 33472-0641 | A-BLK | GC | PLR | | M | R | | | 2 | 3 | 4 | 5 | | SALEABLE | | 34951-0610 | 34951-0620 | |
| KEY A, BLACK, W/O CPA | 33472-0642 | A-BLK | GC | PLR | | M | R | | | | | 3 | 4 | | SALEABLE | | 34951-0610 | 34951-0620 | |
| KEY A, BLACK, W/CPA | 33472-0643 | A-BLK | GC | PLR | CPA | M | R | | | 1 | | 3 | 4 | | SALEABLE | | 34951-0610 | 34951-0620 | |
| KEY B, LIGHT GRAY, W/CPA | 33472-0644 | B-LG | GC | PLR | CPA | M | R | | | 1 | | 3 | 4 | | SALEABLE | | 34951-0610 | 34951-0620 | |
| KEY C, BROWN, W/CPA | 33472-0645 | C-BR | GC | PLR | CPA | M | R | | | 1 | | 3 | 4 | | NOT RECOMMENDED | | 34951-0610 | 34951-0620 | |
| KEY D, GREEN, W/CPA | 33472-0646 | D-GR | GC | PLR | CPA | M | R | | | 1 | | 3 | 4 | | NOT RECOMMENDED | | 34951-0610 | 34951-0620 | |
| VOID KEY | 33472-0647 | | | | | | | | | | | | | | | | | | |
| KEY A, BLACK, W/O CPA | 33472-0648 | A-BLK | GC | PLR | | M | R | | | 1 | | 3 | 4 | 6 | SALEABLE | | 34951-0610 | 34951-0620 | |
| KEY B, LIGHT GRAY, W/O CPA | 33472-0649 | B-LG | GC | PLR | | M | R | | | 1 | | 3 | 4 | 6 | SALEABLE | | 34951-0610 | 34951-0620 | |
| KEY C, BROWN, W/O CPA | 33472-0650 | C-BR | GC | PLR | | M | R | | | 1 | | 3 | 4 | 6 | NOT RECOMMENDED | | 34951-0610 | 34951-0620 | |
| KEY D, GREEN, W/O CPA | 33472-0651 | D-GR | GC | PLR | | M | R | | | 1 | | 3 | 4 | 6 | NOT RECOMMENDED | | 34951-0610 | 34951-0620 | |
| VOID KEY | 33472-0652 | | | | | | | | | | | | | | | | | | |
| KEY A, BLACK, W/CPA | 33472-0653 | A-BLK | GC | PLR | CPA | M | R | | | 1 | | 3 | 4 | 6 | SALEABLE | | 34951-0610 | 34951-0620 | |
| KEY B, LIGHT GRAY, W/CPA | 33472-0654 | B-LG | GC | PLR | CPA | M | R | | | 1 | | 3 | 4 | 6 | SALEABLE | | 34951-0610 | 34951-0620 | |
| KEY C, BROWN, W/CPA | 33472-0655 | C-BR | GC | PLR | CPA | M | R | | | 1 | | 3 | 4 | 6 | NOT RECOMMENDED | | 34951-0610 | 34951-0620 | |
| KEY D, GREEN, W/CPA | 33472-0656 | D-GR | GC | PLR | CPA | M | R | | | 1 | | 3 | 4 | 6 | NOT RECOMMENDED | | 34951-0610 | 34951-0620 | |
| VOID KEY | 33472-0657 | | | | | | | | | | | | | | | | | | |



MX150 RECEPTACLE 2X3 SEALED ASSEMBLY MAT SEAL
BOM AND PIN OUT SHEET

| ASSEMBLY DESCRIPTION | ASSEMBLY PART NUMBER | COMPONENT | | | | | | BLOCKED TERMINALS | | | | | | STATUS | COMMENTS | OPTIONAL ATTACHMENTS SOLD SEPERATELY | | | |
|------------------------------------|----------------------|---|-------------|-----|-----|----------|-----------|--|---|---|---|---|---|--------|----------|--------------------------------------|------------------------|------------|------------|
| | | THE PRESENCE OF AN ABBREVIATION INDICATES THE PRESENCE OF THAT COMPONENT. | | | | | | CAVITY WITH A NUMBER INDICATES BLOCKED TERMINAL POSITION CAVITY WITHOUT A NUMBER INDICATES OPEN TERMINAL POSITION | | | | | | | | BACKSHELL WITH RIBS | BACKSHELL WITHOUT RIBS | | |
| | | HOUSING KEY/COLOR | GROMMET CAP | PLR | CPA | MAT SEAL | RING SEAL | 1 | 2 | 3 | 4 | 5 | 6 | | | | | | |
| KEY A, BLACK, W/O CPA | 33472-0751 | A-BLK | GC | PLR | | M | R | | 2 | 3 | | | | 5 | 6 | SALEABLE | | 34951-0610 | 34951-0620 |
| KEY A, BLACK, WITH CLIPSLOT, W/CPA | 33472-0752 | A-BLK-CLIP | GC | PLR | CPA | M | R | 1 | | | | | | 5 | 6 | SALEABLE | | N/A | N/A |
| KEY A, BLACK, WITH CLIPSLOT, W/CPA | 33472-0753 | A-BLK-CLIP | GC | PLR | CPA | M | R | | | | | | | 5 | 6 | SALEABLE | | N/A | N/A |
| KEY A, BLACK, W/CPA | 33472-0754 | A-BLK | GC | PLR | CPA | M | R | | | | | | | 5 | 6 | SALEABLE | | 34951-0610 | 34951-0620 |

MX150 RECEPTACLE 2X4 SEALED ASSEMBLY MAT SEAL
BOM AND PIN OUT SHEET



| ABBREVIATION | DESCRIPTION | COLOR | MATERIAL |
|--------------|--|------------|--------------------------------|
| A-BLK | HOUSING, KEYING OPTION A | BLACK | SPS/NYLON GF20 |
| B-LG | HOUSING, KEYING OPTION B | LIGHT GRAY | SPS/NYLON GF20 |
| C-BR | HOUSING, KEYING OPTION C | BROWN | SPS/NYLON GF20 |
| D-GR | HOUSING, KEYING OPTION D | GREEN | SPS/NYLON GF20 |
| C-DG | HOUSING, KEYING OPTION C | DARK GRAY | SPS/NYLON GF20 |
| D-SG | HOUSING, KEYING OPTION D | STONE GRAY | SPS/NYLON GF20 |
| D-BLK | HOUSING, KEYING OPTION D | BLACK | SPS/NYLON GF20 |
| A-YW | HOUSING, KEYING OPTION A | YELLOW | SPS/NYLON GF20 |
| A-BLK-CLIP | HOUSING, KEYING OPTION A WITH CLIPSLOT | BLACK | SPS/NYLON GF20 |
| B-LG-CLIP | HOUSING, KEYING OPTION B WITH CLIPSLOT | LIGHT GRAY | SPS/NYLON GF20 |
| C-BR-CLIP | HOUSING, KEYING OPTION C WITH CLIPSLOT | BROWN | SPS/NYLON GF20 |
| D-GR-CLIP | HOUSING, KEYING OPTION D WITH CLIPSLOT | GREEN | SPS/NYLON GF20 |
| C-DG-CLIP | HOUSING, KEYING OPTION C WITH CLIPSLOT | DARK GRAY | SPS/NYLON GF20 |
| D-SG-CLIP | HOUSING, KEYING OPTION D WITH CLIPSLOT | STONE GRAY | SPS/NYLON GF20 |
| D-BLK-CLIP | HOUSING, KEYING OPTION D WITH CLIPSLOT | BLACK | SPS/NYLON GF20 |
| GCO | GROMMET CAP (OPEN) | BLACK | SPS/NYLON GF20 |
| GCP | GROMMET CAP (PLUGGED) | BLACK | SPS/NYLON GF20 |
| PLR | PLR | NATURAL | SPS/NYLON GF20 |
| CPA | CPA | RED | PBT GF30 |
| M | MAT SEAL | LIGHT BLUE | INHERENTLY LUBRICATED SILICONE |
| RG | RING SEAL | GREEN | INHERENTLY LUBRICATED SILICONE |
| RR | RING SEAL | RUST RED | INHERENTLY LUBRICATED SILICONE |

FOR ADDITIONAL INFORMATION SEE SD-33472-0001
OR E-33472-0001

| ASSEMBLY DESCRIPTION | ASSEMBLY PART NUMBER | COMPONENT | | | | | | | BLOCKED TERMINALS | | | | | | | | STATUS | COMMENTS | OPTIONAL ATTACHMENTS SOLD SEPARATELY | | | |
|----------------------------|----------------------|---|-------------|-----|-----|----------|-----------|---|--|---|---|---|---|---|---|--|----------------------|--------------------|--------------------------------------|------------------------|-----------------------|--------------------------|
| | | THE PRESENCE OF AN ABBREVIATION INDICATES THE PRESENCE OF THAT COMPONENT. | | | | | | | CAVITY WITH A NUMBER INDICATES BLOCKED TERMINAL POSITION CAVITY WITHOUT A NUMBER INDICATES OPEN TERMINAL POSITION | | | | | | | | | | BACKSHELL WITH RIBS | BACKSHELL WITHOUT RIBS | 90° ADAPTOR WITH RIBS | 90° ADAPTOR WITHOUT RIBS |
| | | HOUSING KEY/COLOR | GROMMET CAP | PLR | CPA | MAT SEAL | RING SEAL | 1 | 2 | 3 | 4 | 5 | 6 | 7 | 8 | | | | | | | |
| KEY A, BLACK, W/O CPA | 33472-0801 | A-BLK | GCO | PLR | | M | RG | | | | | | | | | | PLANNED OBSOLESCENCE | | N/A | N/A | N/A | N/A |
| KEY B, LIGHT GRAY, W/O CPA | 33472-0802 | B-LG | GCO | PLR | | M | RG | | | | | | | | | | PLANNED OBSOLESCENCE | | N/A | N/A | N/A | N/A |
| KEY C, BROWN, W/O CPA | 33472-0803 | C-BR | GCO | PLR | | M | RG | | | | | | | | | | PLANNED OBSOLESCENCE | SEE P/N 33472-0879 | N/A | N/A | N/A | N/A |
| KEY D, GREEN, W/O CPA | 33472-0804 | D-GR | GCO | PLR | | M | RG | | | | | | | | | | PLANNED OBSOLESCENCE | SEE P/N 33472-0880 | N/A | N/A | N/A | N/A |
| KEY D, BLACK, W/O CPA | 33472-0805 | D-BLK | GCO | PLR | | M | RG | | | | | | | | | | PLANNED OBSOLESCENCE | | N/A | N/A | N/A | N/A |
| KEY A, BLACK, W/CPA | 33472-0806 | A-BLK | GCO | PLR | CPA | M | RG | | | | | | | | | | PLANNED OBSOLESCENCE | | N/A | N/A | N/A | N/A |
| KEY B, LIGHT GRAY, W/CPA | 33472-0807 | B-LG | GCO | PLR | CPA | M | RG | | | | | | | | | | PLANNED OBSOLESCENCE | | N/A | N/A | N/A | N/A |
| KEY C, BROWN, W/CPA | 33472-0808 | C-BR | GCO | PLR | CPA | M | RG | | | | | | | | | | PLANNED OBSOLESCENCE | SEE P/N 33472-0881 | N/A | N/A | N/A | N/A |
| KEY D, GREEN, W/CPA | 33472-0809 | D-GR | GCO | PLR | CPA | M | RG | | | | | | | | | | PLANNED OBSOLESCENCE | SEE P/N 33472-0882 | N/A | N/A | N/A | N/A |
| VOID KEY | 33472-0810 | | | | | | | | | | | | | | | | | | | | | |
| KEY A, BLACK, W/O CPA | 33472-0811 | A-BLK | GCP | PLR | | M | RG | | | | 4 | | | | | | PLANNED OBSOLESCENCE | | N/A | N/A | N/A | N/A |
| KEY B, LIGHT GRAY, W/O CPA | 33472-0812 | B-LG | GCP | PLR | | M | RG | | | | 4 | | | | | | PLANNED OBSOLESCENCE | | N/A | N/A | N/A | N/A |
| KEY C, BROWN, W/O CPA | 33472-0813 | C-BR | GCP | PLR | | M | RG | | | | 4 | | | | | | PLANNED OBSOLESCENCE | | N/A | N/A | N/A | N/A |
| KEY D, GREEN, W/O CPA | 33472-0814 | D-GR | GCP | PLR | | M | RG | | | | 4 | | | | | | PLANNED OBSOLESCENCE | | N/A | N/A | N/A | N/A |
| VOID KEY | 33472-0815 | | | | | | | | | | | | | | | | | | | | | |
| KEY A, BLACK, W/CPA | 33472-0816 | A-BLK | GCP | PLR | CPA | M | RG | | | | 4 | | | | | | PLANNED OBSOLESCENCE | | N/A | N/A | N/A | N/A |
| KEY B, LIGHT GRAY, W/CPA | 33472-0817 | B-LG | GCP | PLR | CPA | M | RG | | | | 4 | | | | | | PLANNED OBSOLESCENCE | | N/A | N/A | N/A | N/A |
| KEY C, BROWN, W/CPA | 33472-0818 | C-BR | GCP | PLR | CPA | M | RG | | | | 4 | | | | | | PLANNED OBSOLESCENCE | | N/A | N/A | N/A | N/A |
| KEY D, GREEN, W/CPA | 33472-0819 | D-GR | GCP | PLR | CPA | M | RG | | | | 4 | | | | | | PLANNED OBSOLESCENCE | SEE P/N 33472-1009 | N/A | N/A | N/A | N/A |
| VOID KEY | 33472-0820 | | | | | | | | | | | | | | | | | | | | | |
| KEY A, BLACK, W/O CPA | 33472-0821 | A-BLK | GCP | PLR | | M | RG | | | | 4 | 5 | | | | | PLANNED OBSOLESCENCE | | N/A | N/A | N/A | N/A |
| KEY B, LIGHT GRAY, W/O CPA | 33472-0822 | B-LG | GCP | PLR | | M | RG | | | | 4 | 5 | | | | | PLANNED OBSOLESCENCE | | N/A | N/A | N/A | N/A |
| KEY C, BROWN, W/O CPA | 33472-0823 | C-BR | GCP | PLR | | M | RG | | | | 4 | 5 | | | | | PLANNED OBSOLESCENCE | | N/A | N/A | N/A | N/A |
| KEY D, GREEN, W/O CPA | 33472-0824 | D-GR | GCP | PLR | | M | RG | | | | 4 | 5 | | | | | PLANNED OBSOLESCENCE | | N/A | N/A | N/A | N/A |
| VOID KEY | 33472-0825 | | | | | | | | | | | | | | | | | | | | | |
| KEY A, BLACK, W/CPA | 33472-0826 | A-BLK | GCP | PLR | CPA | M | RG | | | | 4 | 5 | | | | | PLANNED OBSOLESCENCE | | N/A | N/A | N/A | N/A |
| KEY B, LIGHT GRAY, W/CPA | 33472-0827 | B-LG | GCP | PLR | CPA | M | RG | | | | 4 | 5 | | | | | PLANNED OBSOLESCENCE | | N/A | N/A | N/A | N/A |
| KEY C, BROWN, W/CPA | 33472-0828 | C-BR | GCP | PLR | CPA | M | RG | | | | 4 | 5 | | | | | PLANNED OBSOLESCENCE | | N/A | N/A | N/A | N/A |
| KEY D, GREEN, W/CPA | 33472-0829 | D-GR | GCP | PLR | CPA | M | RG | | | | 4 | 5 | | | | | PLANNED OBSOLESCENCE | SEE P/N 33472-1010 | N/A | N/A | N/A | N/A |
| VOID KEY | 33472-0830 | | | | | | | | | | | | | | | | | | | | | |
| KEY A, BLACK, W/O CPA | 33472-0831 | A-BLK | GCP | PLR | | M | RG | 1 | | | 4 | 5 | | | | | PLANNED OBSOLESCENCE | | N/A | N/A | N/A | N/A |
| KEY B, LIGHT GRAY, W/O CPA | 33472-0832 | B-LG | GCP | PLR | | M | RG | 1 | | | 4 | 5 | | | | | PLANNED OBSOLESCENCE | | N/A | N/A | N/A | N/A |
| KEY C, BROWN, W/O CPA | 33472-0833 | C-BR | GCP | PLR | | M | RG | 1 | | | 4 | 5 | | | | | PLANNED OBSOLESCENCE | | N/A | N/A | N/A | N/A |
| KEY D, GREEN, W/O CPA | 33472-0834 | D-GR | GCP | PLR | | M | RG | 1 | | | 4 | 5 | | | | | PLANNED OBSOLESCENCE | | N/A | N/A | N/A | N/A |
| VOID KEY | 33472-0835 | | | | | | | | | | | | | | | | | | | | | |
| KEY A, BLACK, W/CPA | 33472-0836 | A-BLK | GCP | PLR | CPA | M | RG | 1 | | | 4 | 5 | | | | | PLANNED OBSOLESCENCE | | N/A | N/A | N/A | N/A |
| KEY B, LIGHT GRAY, W/CPA | 33472-0837 | B-LG | GCP | PLR | CPA | M | RG | 1 | | | 4 | 5 | | | | | PLANNED OBSOLESCENCE | | N/A | N/A | N/A | N/A |
| KEY C, BROWN, W/CPA | 33472-0838 | C-BR | GCP | PLR | CPA | M | RG | 1 | | | 4 | 5 | | | | | PLANNED OBSOLESCENCE | | N/A | N/A | N/A | N/A |
| KEY D, GREEN, W/CPA | 33472-0839 | D-GR | GCP | PLR | CPA | M | RG | 1 | | | 4 | 5 | | | | | PLANNED OBSOLESCENCE | | N/A | N/A | N/A | N/A |
| VOID KEY | 33472-0840 | | | | | | | | | | | | | | | | | | | | | |
| KEY A, BLACK, W/O CPA | 33472-0841 | A-BLK | GCP | PLR | | M | RG | 1 | | | 4 | 5 | | | 8 | | PLANNED OBSOLESCENCE | | N/A | N/A | N/A | N/A |
| KEY B, LIGHT GRAY, W/O CPA | 33472-0842 | B-LG | GCP | PLR | | M | RG | 1 | | | 4 | 5 | | | 8 | | PLANNED OBSOLESCENCE | | N/A | N/A | N/A | N/A |
| KEY C, BROWN, W/O CPA | 33472-0843 | C-BR | GCP | PLR | | M | RG | 1 | | | 4 | 5 | | | 8 | | PLANNED OBSOLESCENCE | | N/A | N/A | N/A | N/A |
| KEY D, GREEN, W/O CPA | 33472-0844 | D-GR | GCP | PLR | | M | RG | 1 | | | 4 | 5 | | | 8 | | PLANNED OBSOLESCENCE | | N/A | N/A | N/A | N/A |
| VOID KEY | 33472-0845 | | | | | | | | | | | | | | | | | | | | | |
| KEY A, BLACK, W/CPA | 33472-0846 | A-BLK | GCP | PLR | CPA | M | RG | 1 | | | 4 | 5 | | | 8 | | PLANNED OBSOLESCENCE | | N/A | N/A | N/A | N/A |
| KEY B, LIGHT GRAY, W/CPA | 33472-0847 | B-LG | GCP | PLR | CPA | M | RG | 1 | | | 4 | 5 | | | 8 | | PLANNED OBSOLESCENCE | | N/A | N/A | N/A | N/A |
| KEY C, BROWN, W/CPA | 33472-0848 | C-BR | GCP | PLR | CPA | M | RG | 1 | | | 4 | 5 | | | 8 | | PLANNED OBSOLESCENCE | | N/A | N/A | N/A | N/A |
| KEY D, GREEN, W/CPA | 33472-0849 | D-GR | GCP | PLR | CPA | M | RG | 1 | | | 4 | 5 | | | 8 | | PLANNED OBSOLESCENCE | | N/A | N/A | N/A | N/A |
| VOID KEY | 33472-0850 | | | | | | | | | | | | | | | | | | | | | |
| KEY A, BLACK, W/O CPA | 33472-0851 | A-BLK | GCP | PLR | | M | RG | 1 | 2 | 3 | 4 | 5 | 6 | 7 | 8 | | PLANNED OBSOLESCENCE | | N/A | N/A | N/A | N/A |
| KEY B, LIGHT GRAY, W/O CPA | 33472-0852 | B-LG | GCP | PLR | | M | RG | 1 | 2 | 3 | 4 | 5 | 6 | 7 | 8 | | PLANNED OBSOLESCENCE | | N/A | N/A | N/A | N/A |



MX150 RECEPTACLE 2X4 SEALED ASSEMBLY MAT SEAL
BOM AND PIN OUT SHEET

| ASSEMBLY DESCRIPTION | ASSEMBLY PART NUMBER | COMPONENT | | | | | | BLOCKED TERMINALS | | | | | | | | STATUS | COMMENTS | OPTIONAL ATTACHMENTS SOLD SEPERATELY | | | |
|---|--------------------------|---|-------------|----------|-----------|--|-----------|--|---|---|---|---|---|---------------------|------------------------|----------|----------|--------------------------------------|--------------------------|-----------------------|--------------------------|
| | | THE PRESENCE OF AN ABBREVIATION INDICATES THE PRESENCE OF THAT COMPONENT. | | | | | | CAVITY WITH A NUMBER INDICATES BLOCKED TERMINAL POSITION CAVITY WITHOUT A NUMBER INDICATES OPEN TERMINAL POSITION | | | | | | | | | | BACKSHELL WITH RIBS | BACKSHELL WITHOUT RIBS | 90° ADAPTOR WITH RIBS | 90° ADAPTOR WITHOUT RIBS |
| | | HOUSING KEY/COLOR | GROMMET CAP | PLR | CPA | MAT SEAL | RING SEAL | 1 | 2 | 3 | 4 | 5 | 6 | 7 | 8 | | | | | | |
| SUB ASSEMBLY DESCRIPTION | SUB ASSEMBLY PART NUMBER | COMPONENT | | | | | | BLOCKED TERMINALS | | | | | | | | STATUS | COMMENTS | OPTIONAL ATTACHMENTS SOLD SEPERATELY | | | |
| THE PRESENCE OF AN ABBREVIATION INDICATES THE PRESENCE OF THAT COMPONENT. | | | | | | CAVITY WITH A NUMBER INDICATES BLOCKED TERMINAL POSITION CAVITY WITHOUT A NUMBER INDICATES OPEN TERMINAL POSITION | | | | | | | | BACKSHELL WITH RIBS | BACKSHELL WITHOUT RIBS | | | 90° ADAPTOR WITH RIBS | 90° ADAPTOR WITHOUT RIBS | | |
| HOUSING KEY/COLOR | GROMMET CAP | PLR | CPA | MAT SEAL | RING SEAL | 1 | 2 | 3 | 4 | 5 | 6 | 7 | 8 | | | | | | | | |
| KEY A, BLACK, W/O PLR, W/O CPA | 34886-0801 | A-BLK | GCO | | M | RG | | | | | | | | | | SALEABLE | | | | | |
| KEY A, BLACK, W/O PLR, W/O CPA | 34886-4801 | A-BLK | GCO | | M | RR | | | | | | | | | | SALEABLE | | | | | |

MX150 RECEPACLE 2X8 SEALED ASSEMBLY MAT SEAL
BOM AND PIN OUT SHEET

Table with columns: ASSEMBLY DESCRIPTION, ASSEMBLY PART NUMBER, COMPONENT (HOUSING KEY/COLOR, GROMMET CAP, PLR, CPA, MAT SEAL, RING SEAL), BLOCKED TERMINALS (1-16), STATUS, COMMENTS, and OPTIONAL ATTACHMENTS SOLD SEPARATELY (BACKSHELL WITH RIBS, BACKSHELL WITHOUT RIBS, 90° ADAPTOR WITH RIBS, 90° ADAPTOR WITHOUT RIBS).

MX150 RECEPTACLE 2X8 SEALED ASSEMBLY MAT SEAL
BOM AND PIN OUT SHEET

Table with columns: ASSEMBLY DESCRIPTION, ASSEMBLY PART NUMBER, COMPONENT (HOUSING KEY/COLOR, GROMMET CAP, PLR, CPA, MAT SEAL, RING SEAL), BLOCKED TERMINALS (1-16), STATUS, COMMENTS, and OPTIONAL ATTACHMENTS SOLD SEPARATELY (BACKSHELL WITH RIBS, BACKSHELL WITHOUT RIBS, 90° ADAPTOR WITH RIBS, 90° ADAPTOR WITHOUT RIBS). Rows list various part numbers and their configurations.

MX150 RECEPTACLE 2X10 SEALED ASSEMBLY MAT SEAL BOM AND PIN OUT SHEET

Table with columns: ASSEMBLY DESCRIPTION, ASSEMBLY PART NUMBER, COMPONENT (HOUSING KEY/COLOR, GROMMET CAP, PLR, CPA, MAT SEAL, RING SEAL), BLOCKED TERMINALS (Cavity 1-20), STATUS, COMMENTS, and OPTIONAL ATTACHMENTS SOLD SEPARATELY (BACKSHELL WITH RIBS, BACKSHELL WITHOUT RIBS, 90° ADAPTOR WITH RIBS, 90° ADAPTOR WITHOUT RIBS).

MX150 RECEPTACLE 2X10 SEALED ASSEMBLY MAT SEAL
BOM AND PIN OUT SHEET

Table with columns: ASSEMBLY DESCRIPTION, ASSEMBLY PART NUMBER, COMPONENT (HOUSING KEY/COLOR, GROMMET CAP, PLR, CPA, MAT SEAL, RING SEAL), BLOCKED TERMINALS (1-20), STATUS, COMMENTS, and OPTIONAL ATTACHMENTS SOLD SEPARATELY (BACKSHELL WITH RIBS, BACKSHELL WITHOUT RIBS, 90° ADAPTOR WITH RIBS, 90° ADAPTOR WITHOUT RIBS).

