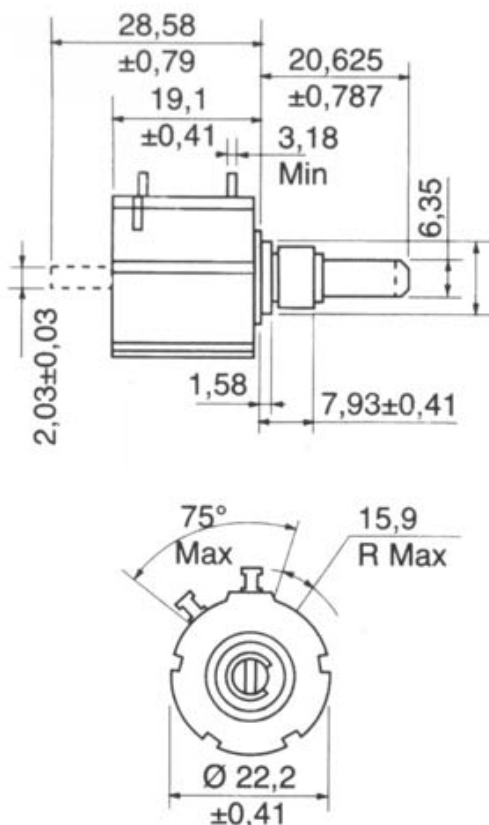


Datasheet of Wire-wound Precision Potentiometer 7286 Series



★Dimensions:



★Characteristics

■Electrical Characteristics

Standard Resistance Range: 100Ω—100KΩ
 Resistance Tolerance: ±5%
 Independent Linearity: ±0.5%
 Effective Electrical Travel: ≥3600°—10°
 Terminal Resistance: ≤0.2%R or 5Ω
 Noise: ≤3%R or 3Ω
 Insulation Resistance: $R_1 \geq 1G\Omega$
 Withstand Voltage: 101.3Pa 710V, 8.5kPa 470V

■Environment Characteristics

Rated Power: +70℃ 2W, +125℃ 0W
 Temperature Range: -55℃—+125℃
 Temperature Coefficient: ±100ppm / °C
 Temperature Variation: $\Delta R \leq \pm 2\%R$, $\Delta(U_{ab} / U_{ac}) \leq \pm 1\%$
 Vibration: 390m / s², 4000 times, $\Delta R \leq \pm 1\%R$
 Collision: 10—500HZ, 0.75mm or 98m/s², 6h,
 $\Delta R \leq \pm 1\%R$, $\Delta(U_{ab} / U_{ac}) \leq \pm 2\%$
 Climate Category: $\Delta R \leq \pm 3\%R$, $R_1 \geq 100M\Omega$
 Electrical Endurance at 70℃: 2W, 1000h, $\Delta R \leq \pm 3\%R$
 Mechanical Endurance: 10000 cycles, $\Delta R \leq \pm 3\%R$
 Steadydamp-heat: $\Delta R \leq \pm 3\%R$, $R_1 \geq 100M\Omega$

■Physical Characteristics

Total Mechanical Travel: 3600°±10°
 Starting Torque: ≤36mN·m
 Clutch Torque: ≥300mN·m
 Standard Packaging: 10 pcs/box