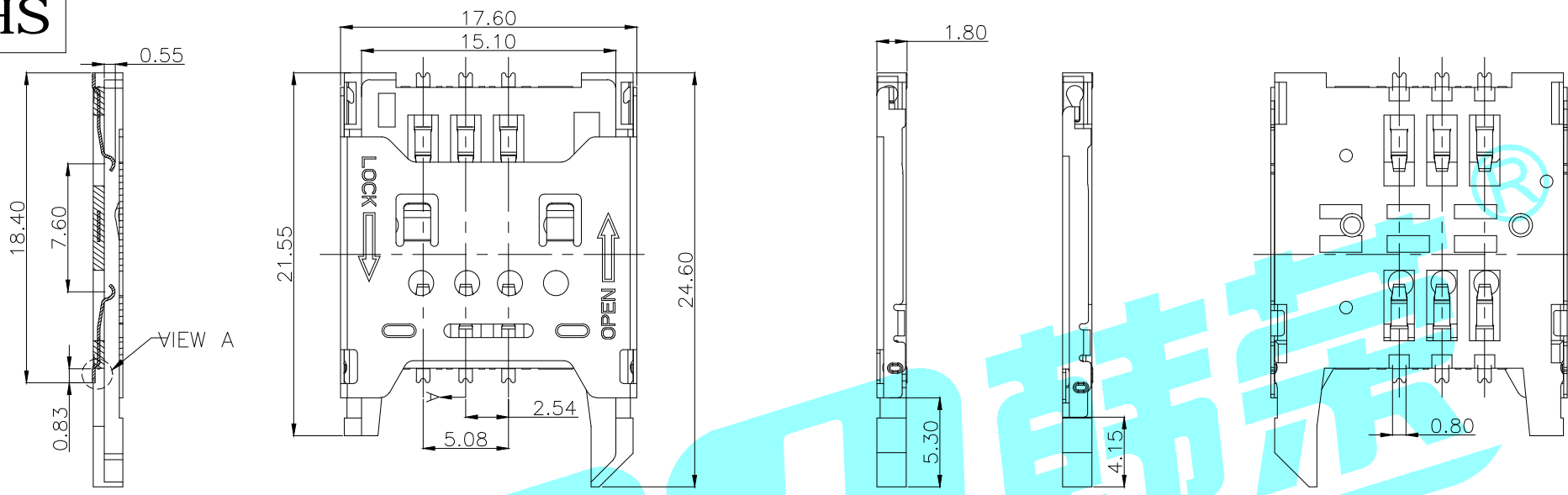
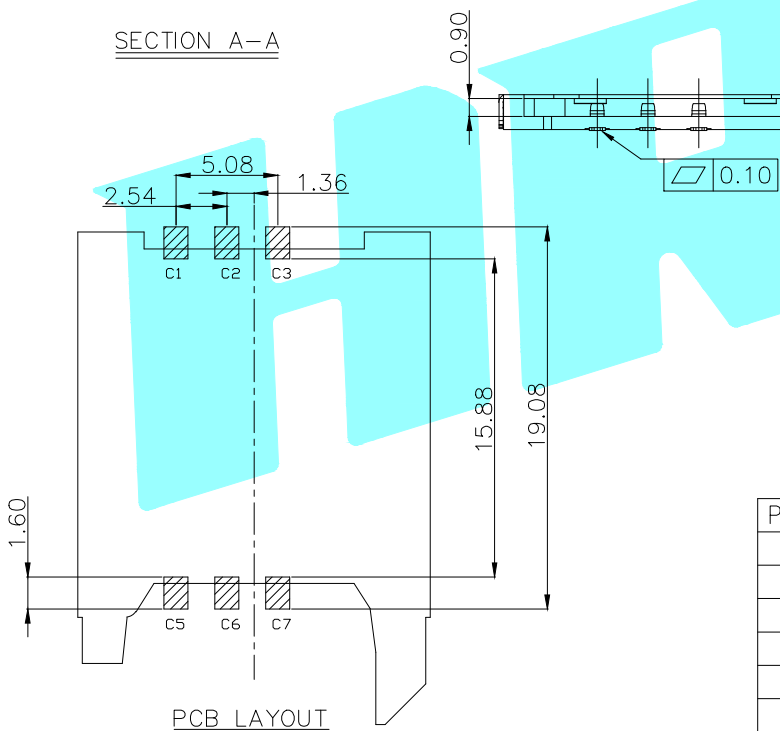


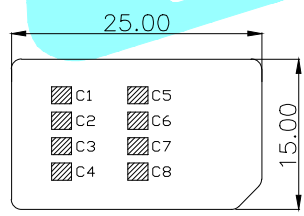
ROHS



SECTION A-A



PCB LAYOUT



SIM CARD

PIN NO.	PIN NAME
C1	Supply Voltage Vcc
C2	Reset (RST)
C3	Clock (CLK)
C5	Ground
C6	Programming Voltage Vpp
C7	I/O

Specification:

- 1.Current rating:1.0 AMP
- 2.Voltage rating: 12V DC
- 3.Dielectric strength:500V AC RMS for 1 minute.
- 4.Contact resistance:30mΩ max.
- 5.Insulator resistance:500MΩ min.at 250V DC.
- 6.Mating unmating cycles:5000 cycles
- 7.Packaging: 600pcs/Reel

ITEM	PART NAME	TER'NO.	QTY.	MATERIAL	FINISHING	REMARK
③	Shell	—	1	SUS	Ni Plated	—
②	Terminal	—	6	Phosphor Bronze	Sn Plated	—
①	Housing	—	1	LCP	Black	—

APPROVALS		DATE		HROELECTRONICS CO.,LTD		
DRAWN	LIUCAN	2021.4.7		ELECTRONICS CO.,LTD		
CHECKED				TITLE: SIM		
APPROVALS				PART NO. SIM-08A		
TOLERANCES ARE		30~以上	±0.30	ANGLE	UNIT: mm	SCALE: 1:1
		10~30	±0.25			
		5~10	±0.20			
		~ 5	±0.15			
			±2'	DRAWING NO.		PROJ:
				SHEET 1 OF 1		

ECN NO.	REV.	DATE.	DESCRIPTION.	CHANGE.	CHECK.	APPRO.
	A		NEW			