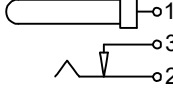
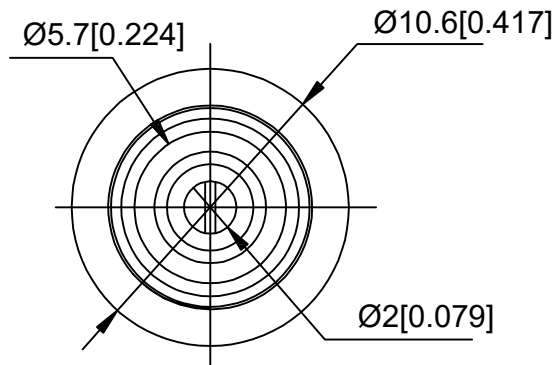
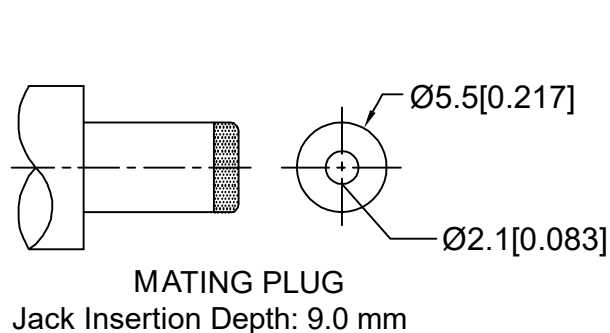



SCHEMATIC	
Model	DC-025
Center Pin	Ø2.0 mm
	Ø2.5 mm



	MATERIAL	PLATING
axle sleeve	Brass	tin
plastic	Pbt	
center pin	Brass	tin
terminal 1	Brass	tin
terminal 2	Brass	tin
terminal 3	Phosphor Bronze	tin

DSND	SCALE: N/A	MODEL TYPE: DC POWER JACK
DWN	VIEW: 	PART NO.: DC-025-5A-2.0
CHKD	UNIT: mm/in	DWG NO.:
APPD	SIZE: A4	
	WEIGHT	SHEET
		1/1
	REVISIC	A0



XKB INDUSTRIAL PRECISION CO., LIMITED

MARK	DESCRIPTION	DATE	REVISED	APPROVED	UNSPECIFIED TOLERANCES
Δx					ANGLAR ±5°
Δx					L ≤ 4 ±0.2
Δx					4 < L ≤ 16 ±0.3
					16 < L ≤ 63 ±0.4
					L > 63 ±0.5