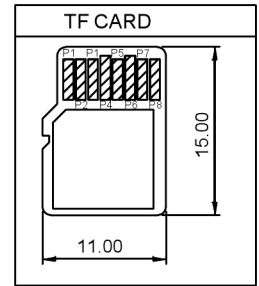
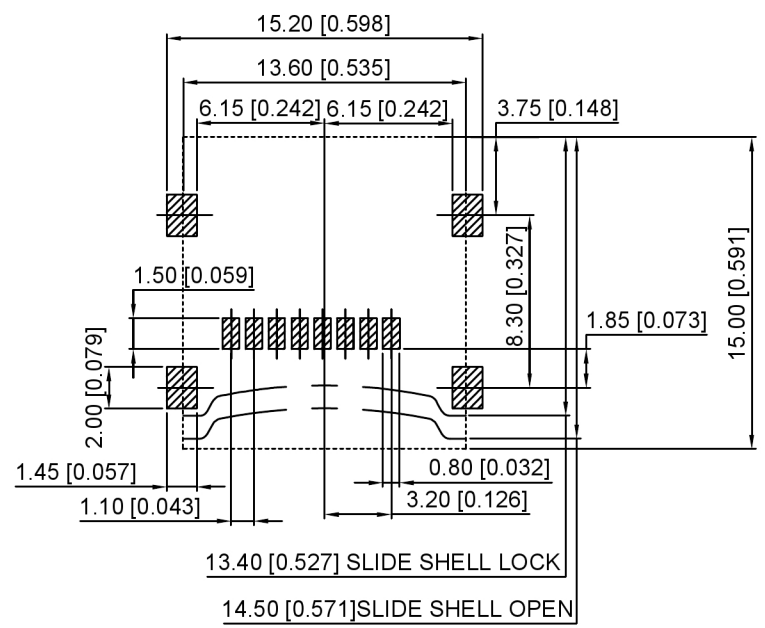
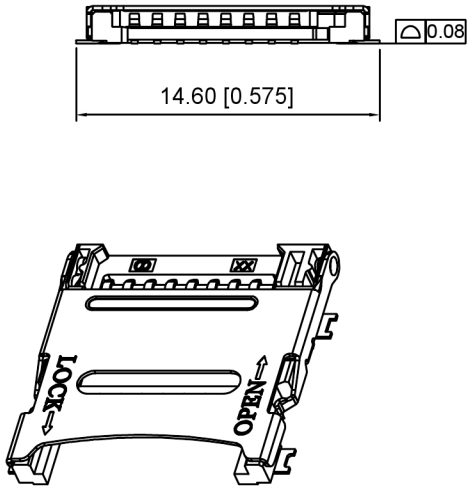


- NOTES:
- MATERIAL:
    - 1.1 Housing:HI-TEMP.PLASIC UL 94V-0; Color Black.
    - 1.2 Terminal:Copper Alloy,T=0.12mm.
    - 1.3 Shell:SUS,T=0.20mm.
  - FINISH:
    - 2.1 Terminal:Plated Gold on the Contact Area and Solder Tails
    - 2.2 SHELL:NICKEL PLATED OVER ALL.



③	Shell	1	SUS	
②	Terminal	8	COPPER ALLOY	
①	Housing	1	HI-TEMP.PLASIC UL 94V-0	BLACK
ITEM	PAPT NAMF	QTY	MATERIAL	FINISHING

**RECOMMENDED PCB LAYOUT**

广东星坤科技股份有限公司  
 文件工程章

MARK	DESCRIPTION	DATE	REVISED	APPROVED	UNSPECIFIED TOLERANCES
ΔX					ANGULAR ±5°
ΔX					L ≤ 4 ±0.2
ΔX					4 < L ≤ 16 ±0.3
					16 < L ≤ 63 ±0.4
					L > 63 ±0.5



DSND	SCALE: N/A	MODEL TYPE: TF CARD CONN
DWN	VIEW:	PART NO.:
CHKD	UNIT: mm/in	DWG NO.:
APPD	SIZE: A4	XKTF-1307-16
		WEIGHT
		SHEET
		REVISIO
		1/1
		A0

XKB INDUSTRIAL PRECISION CO., LIMITED