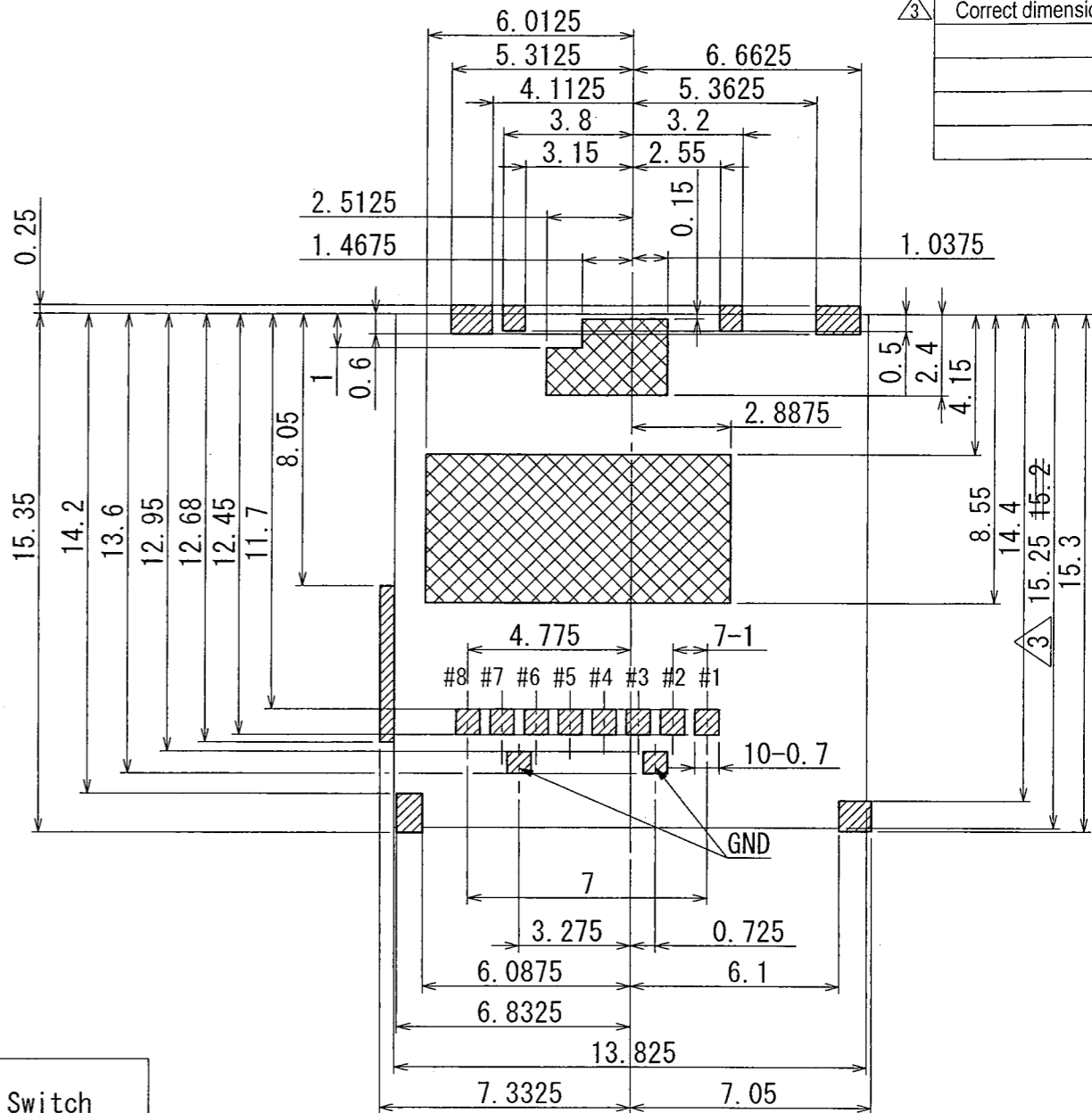
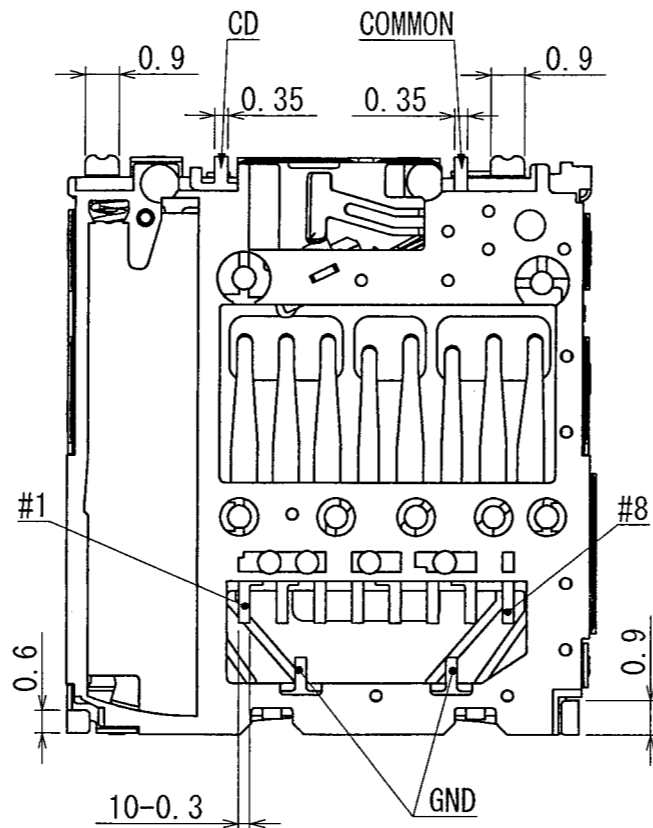
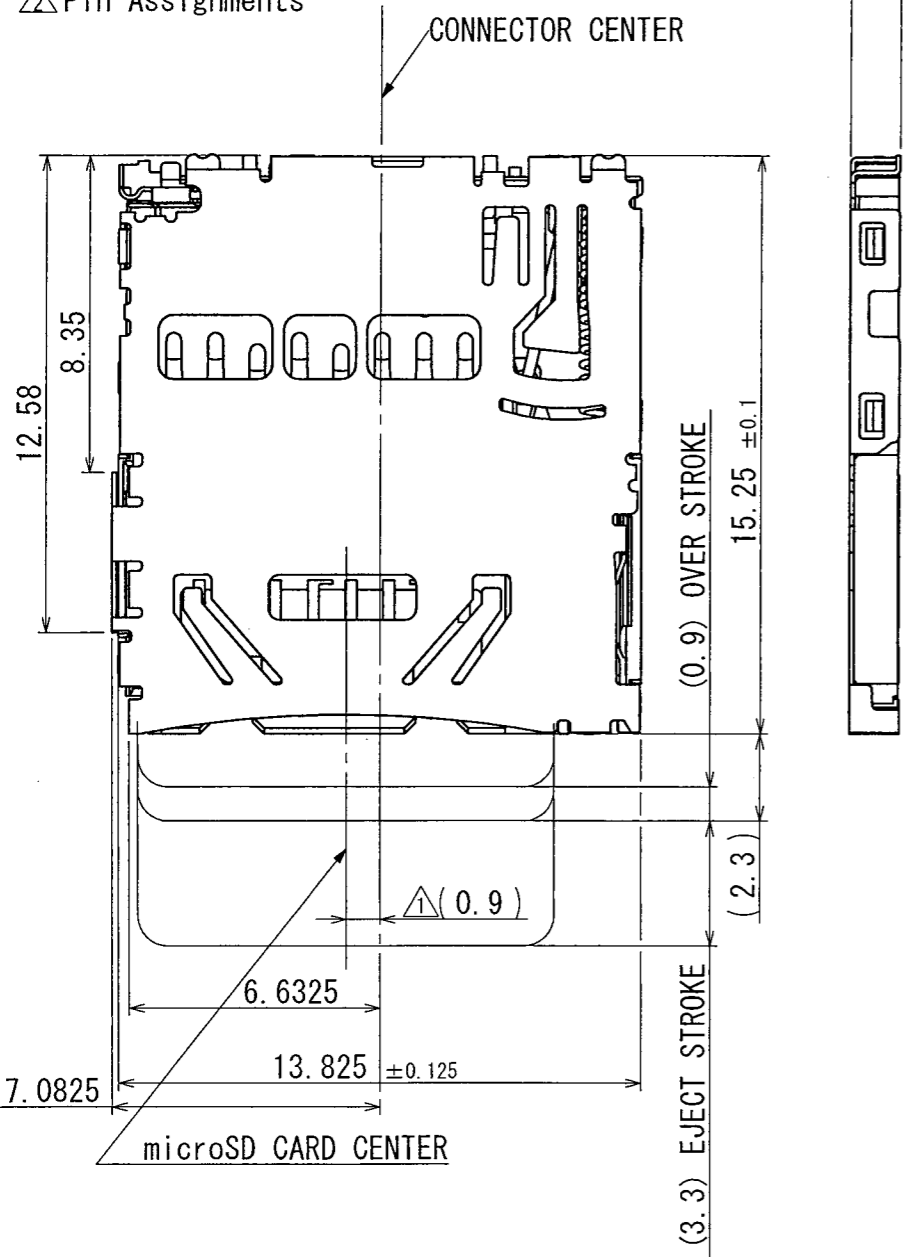
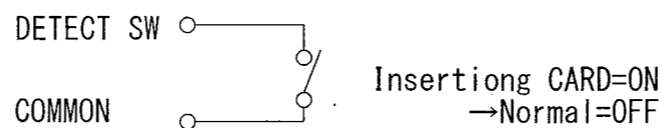


PIN	SD Mode
#1	DAT2
#2	DAT3/CD
#3	CMD
#4	V <sub>DD</sub>
#5	CLK
#6	V <sub>SS</sub>
#7	DAT0
#8	DAT1

△ Pin Assignments



Circuit Diagram for Detect Switch



- PATTERN AREA
- NO PATTERN EXPOSED AREA
- NO PATTERN AREA

RECOMMENDED P. C. BOARD LAYOUT  
TOLERANCES UNLESS OTHERWISE SPEC. ±0.05

**PRELIMINARY**

背景
BACK GROUND
MDD0901451
△ Adding Dimensions
△ Add Pin Assignments
△ Correct dimension

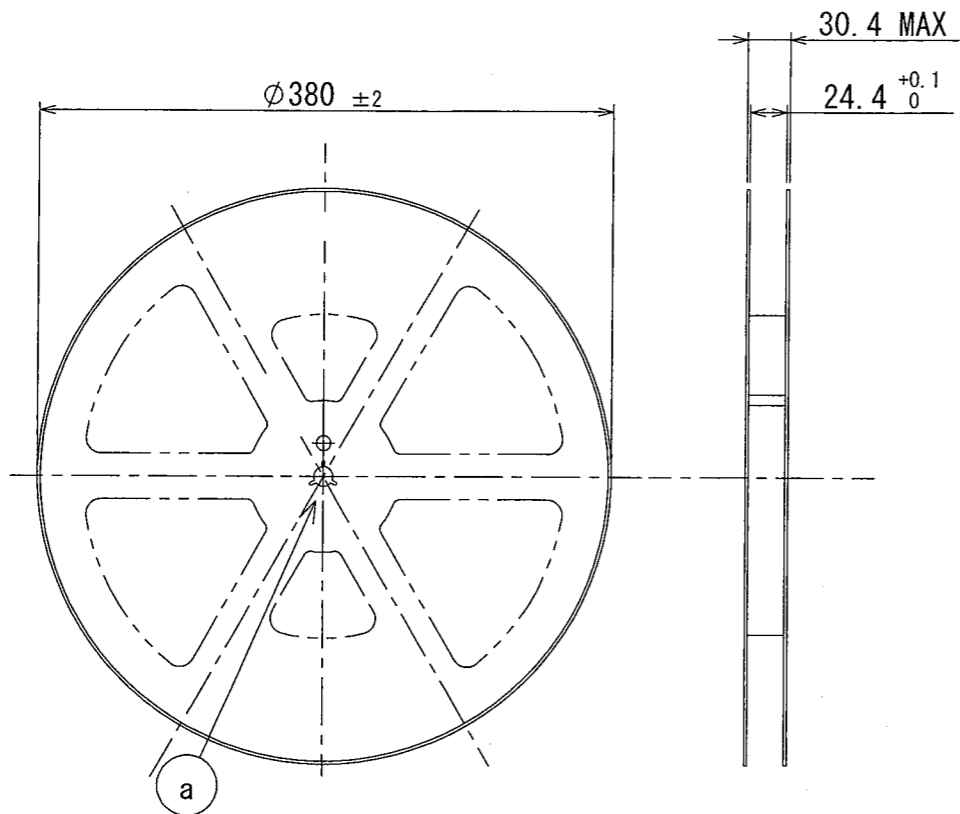
**ALPS ELECTRIC CO., LTD.**

TOLERANCES UNLESS OTHERWISE SPEC						DSGD.	Jul. 08. 2009	SCALE	NO.
BASIC DIMENSIONS							Y. Ikeda		SCHA4B0400
UP TO 10	±0.3	△02	2013.06.04	TT	TT	CHKD.	Jul. 08. 2009		TITLE
ABOVE 10 TO 100	±0.5	△03	2010.06.01	Y.O	Y.O	A. Uchiyama			PRODUCT DRAWING (1/2)
ABOVE 100	±0.8	△02	2009.08.24	Y.K	A.U	Y.I	APPD.	Jul. 08. 2009	DOCUMENT NO.
ANGULAR DIMENSION	±5'	SYMB	DATE	APPD	CHKD	DSGD	A. Uchiyama	UNIT	SCHA4B0400, AE12, 03
								mm	

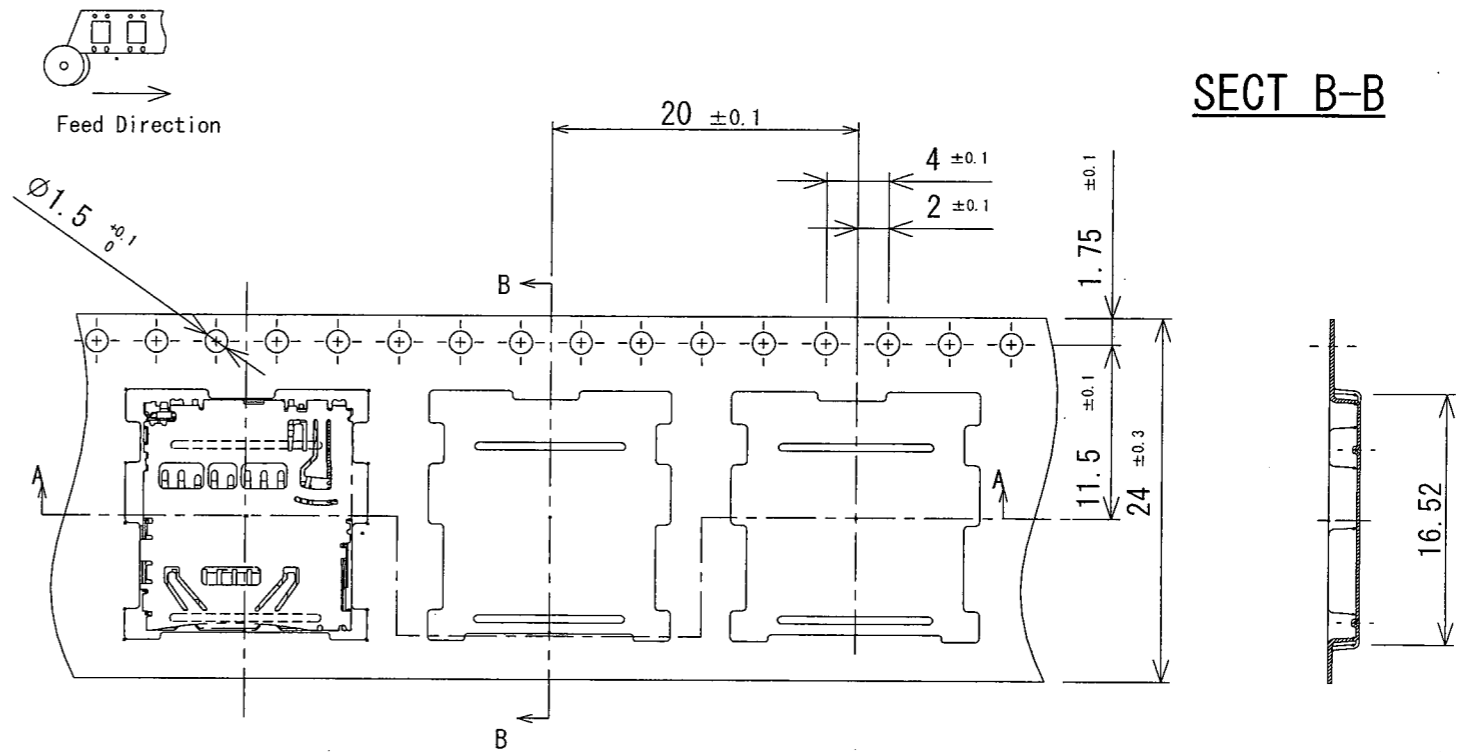
NOTE 1. This connector is standard mount type.  
2. All terminal coplanarity : 0.1mm max.

**PRELIMINARY**

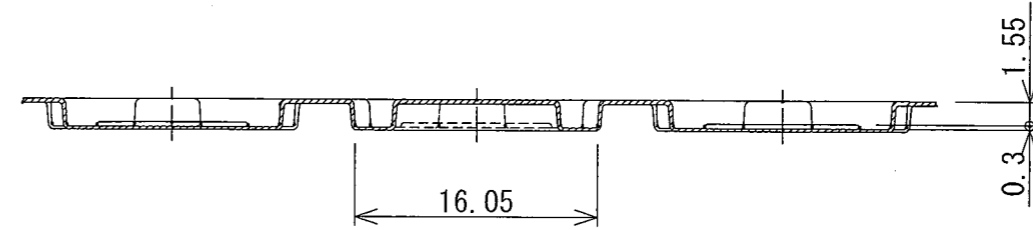
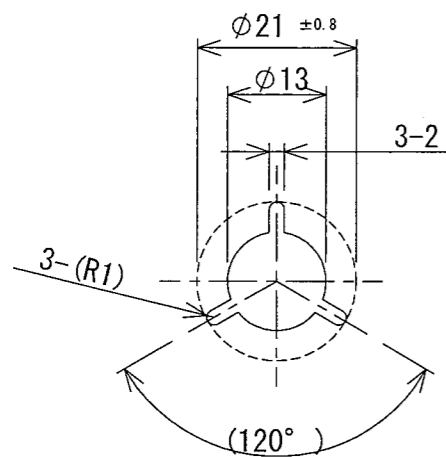
REEL CORE (1:5)



CARRIE TAPE (2:1)



DETAIL (a) (1:1)



SECT A-A

△ 2. 2000pcs/reel  
 1. SPECIFICATION OF TAPING:TAPE-S-029  
 NOTE

TOLERANCES UNLESS OTHERWISE SPEC		SYMB	DATE	APPD	CHKD	DSGD
BASIC DIMENSIONS	TOLERANCES					
UP TO 10	±0.3					
ABOVE 10 TO 100	±0.5					
ABOVE 100	±0.8					
ANGULAR DIMENSION	±5°					

**ALPS ELECTRIC CO., LTD.**

DSGD.	Jul. 08. 2009	SCALE	NO.
	Y. IKEDA		SCHA4B0400
CHKD.	Jul. 08. 2009		TITLE
	A. UCHIYAMA		TAPING PRODUCT DRAWING (2/2)
APPD.	Jul. 08. 2009	UNIT	DOCUMENT NO.
	A. Uchiyama	mm	SCHA4B0400, AE22, 03