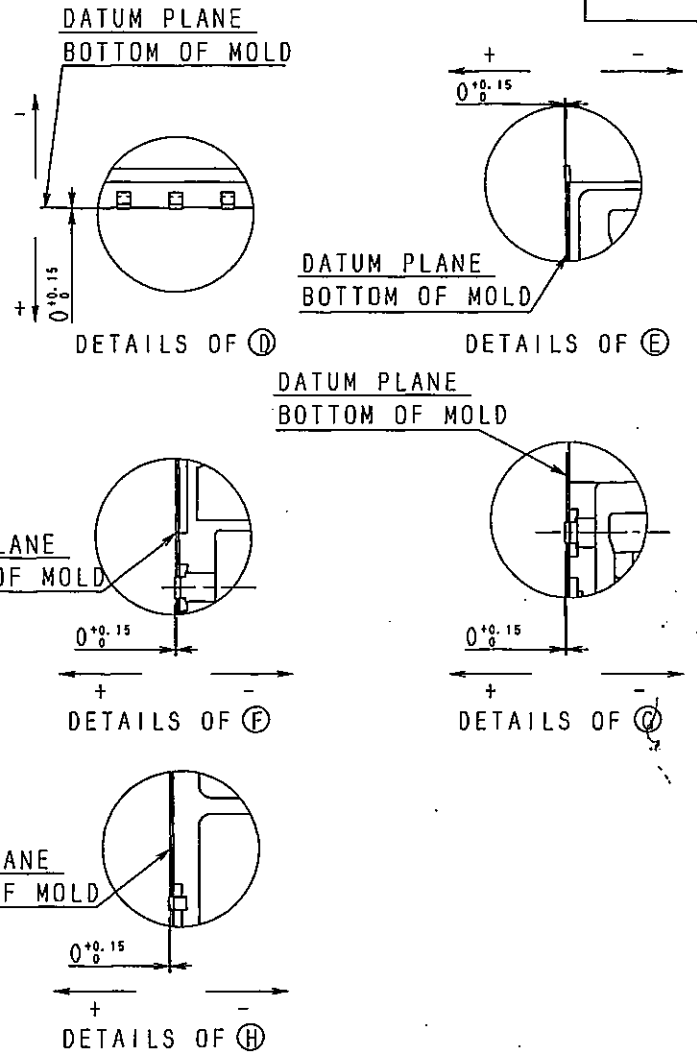
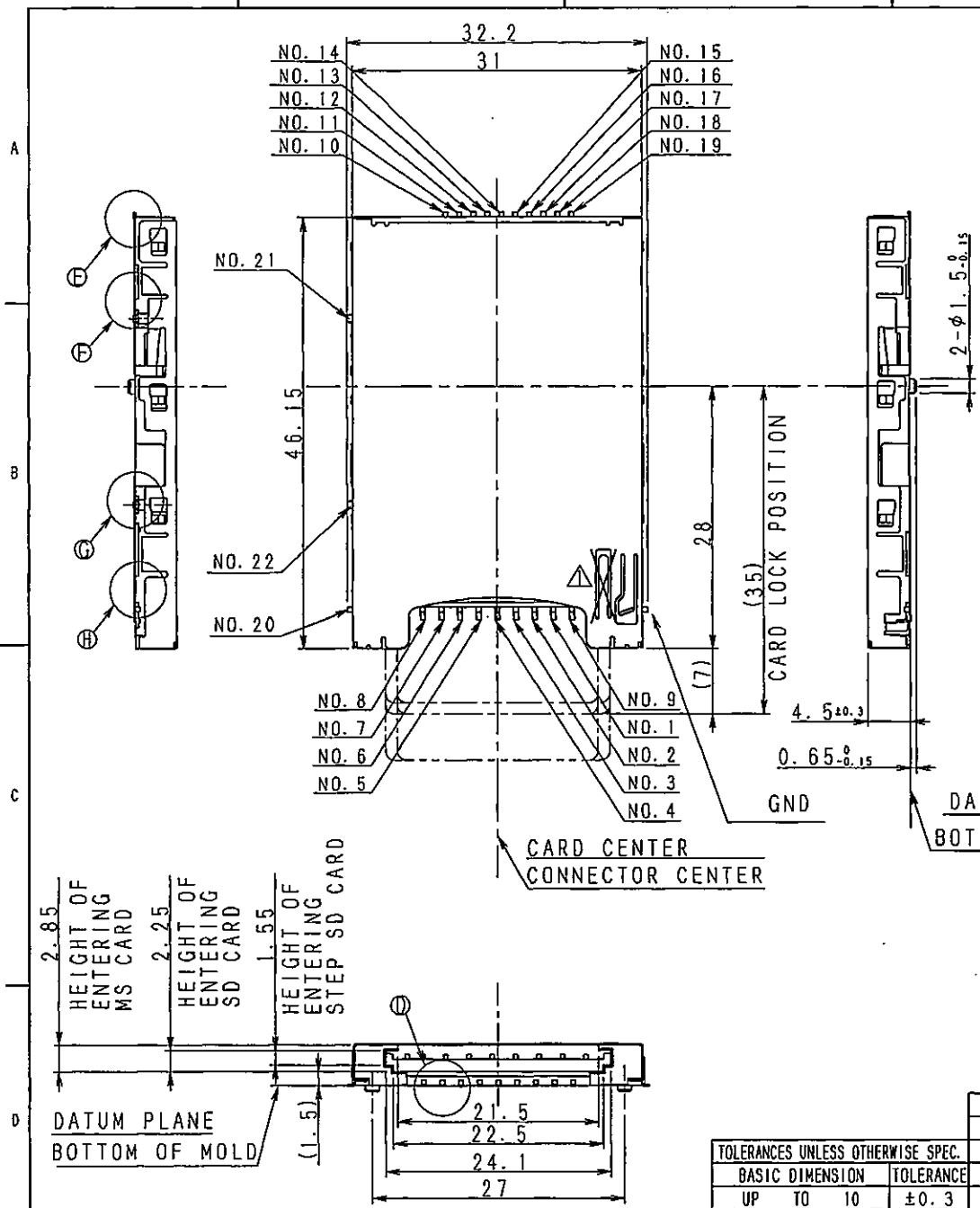


FOLD 5

BACK GROUND 背景
PP02098
MODIFIED ERROR

PRELIMINARY



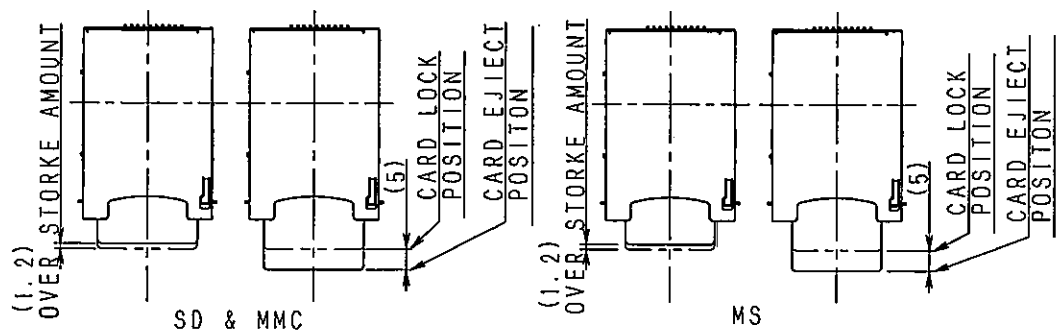
TOLERANCES UNLESS OTHERWISE SPEC.				DSGO.	July. 15. 2002	SCALE	MODEL No. (模型)
BASIC DIMENSION	TOLERANCE				T. MATSUSHITA	:	SCDBIC0101 1/2
UP TO 10	±0.3			CHKD.	July. 15. 2002		TITLE
ABOVE 10 TO 100	±0.5				Y. KURODA		PRODUCT DRAWING (製品図)
ABOVE 100	±0.8			APPD.	July. 15. 2002	UNIT	DOCUMENT NO.
ANGULAR DIMENSION	±3°	ZONE	SYMB	DATE	T. WAGATSUMA	mm	SCDBIC0101. AE12. 013
				APPD	CHKD	DSGO	

ALPS ELECTRIC CO., LTD.

FOLD 5

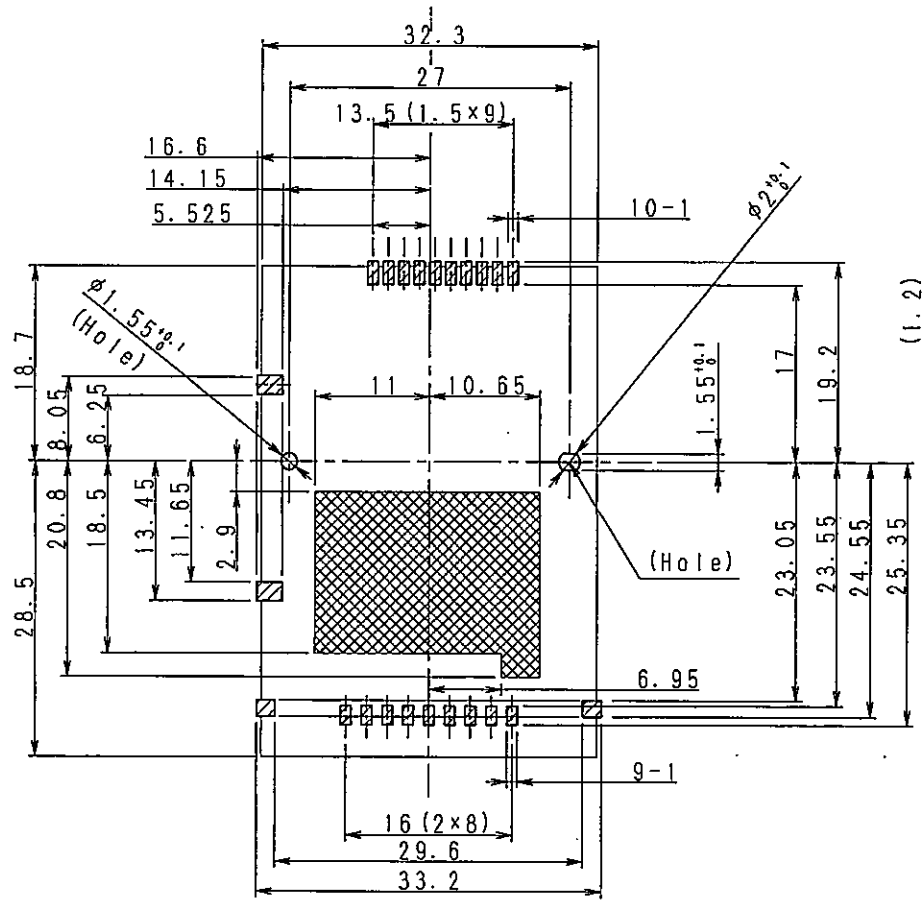
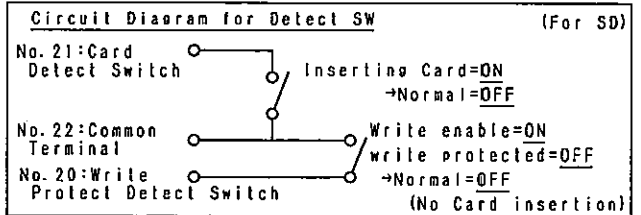
PRELIMINARY

OPERATING FIGURE



PIN ASSIGNMENTS

Connector Terminal No.	Pin No.	Connector Terminal No.	Pin No.
No. 1	SD&MMC No. 1	No. 10	MS No. 1
No. 2	SD&MMC No. 2	No. 11	MS No. 2
No. 3	SD&MMC No. 3	No. 12	MS No. 3
No. 4	SD&MMC No. 4	No. 13	MS No. 4
No. 5	SD&MMC No. 5	No. 14	MS No. 5
No. 6	SD&MMC No. 6	No. 15	MS No. 6
No. 7	SD&MMC No. 7	No. 16	MS No. 7
No. 8	SD No. 8	No. 17	MS No. 8
No. 9	SD No. 9	No. 18	MS No. 9
		No. 19	MS No. 10



Recommended P.C. Board layout (Mounting face side)
TOLERANCES UNLESS OTHERWISE SPEC. ±0.05

ZONE	SYMB	DATE	APPD	CHKD	DSGD	ALPS ELECTRIC CO., LTD. DSGD. July. 15. 2002 T. MATSUSHITA CHKD. July. 15. 2002 Y. KURODA APPD. July. 15. 2002 T. WAGATSUWA		SCALE : UNIT : mm	MODEL No. (NAME) SCDBIC0101 2/2 TITLE PRODUCT DRAWING (製品図) DOCUMENT NO. SCOBIC0101, AE22. 013