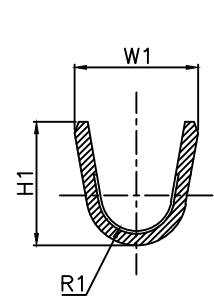
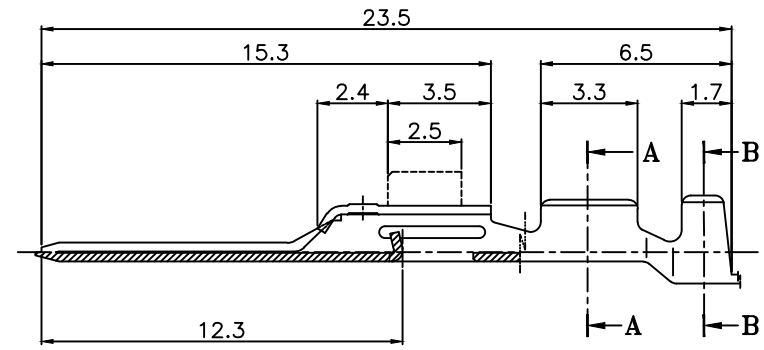
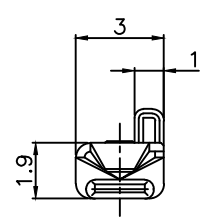
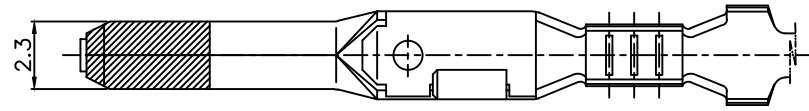
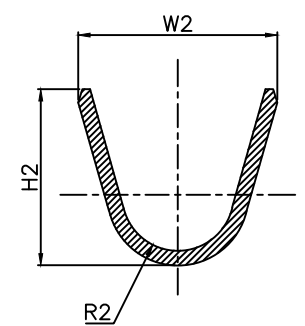


— 주 기 —

1. 사용상 유해한 흠, BURR등이 없을 것.
2. MARKING 및 급형 NO.는 당사 규정에 의하여 각인 할 것.
3. 적용 전선은 "상이란" 참조할 것.



SECTION A-A(10/1)



SECTION B-B(10/1)

A	AVSSXF 2.5sq	5.0	4.05	4.3	4.05	1.6	1.05	TERMINAL AR-M-L-Au	TA021-00020	COPPER ALLOY (t=0.3)							
	AESSXF 2.5sq																
B	AV,AVS 1.25Sq	5.0	3.5	4.3	3.5	1.6	0.9	TERMINAL AR-M-M-Au	MT091-95260	COPPER ALLOY (t=0.3)	C.J.W	15.04.28	EO15-0044	B	ADDING TO THE SPECIFICATION(2 POINTS)	B.D.H	
	AVSS 1.25~2.05sq																
B	AVSS 0.85sq	5.0	2.8	4.3	2.75	1.6	0.8	TERMINAL AR-M-SM-Au	TK011-00610	COPPER ALLOY (t=0.3)	C.J.W	04.09.20	-	-	REDRAWING	L.S.J	
	AV AVS,AVSS 0.3~0.5sq	3.4	2.1	3.0	2.1	1.0	0.6	TERMINAL AR-M-S-Au	MT091-95060	COPPER ALLOY (t=0.3)	C.J.W	01.10.04	-	A	사 양 추 가	K.S.O	
A	AVSSXF 2.5sq	5.0	4.05	4.3	4.05	1.6	1.05	TERMINAL AR-M-L	TA021-00010	COPPER ALLOY (t=0.3)		99.03.01	-	-	신 설		
	AESSXF 2.5sq																
B	AV,AVS 1.25Sq	5.0	3.5	4.3	3.5	1.6	0.9	TERMINAL AR-M-M	MT091-95280	COPPER ALLOY (t=0.3)	승인	DATE	NOTE NO.	SYM	ALTERATION	담당	
	AVSS 1.25~2.05sq																
B	AVSS 0.85sq	5.0	2.8	4.3	2.75	1.6	0.8	TERMINAL AR-M-SM	TK011-00600	COPPER ALLOY (t=0.3)	DRAWING NAME TERMINAL AR-M-S						
	AV AVS,AVSS 0.3~0.5sq	3.4	2.1	3.0	2.1	1.0	0.6	TERMINAL AR-M-S	MT091-95080	COPPER ALLOY (t=0.3)	DRAWING NO. MT091-95080-C01B						
적용 전선		W2	W1	H2	H1	R2	R1	PART NAME	PART NO.	MATERIAL							
상 이 란								THIRD ANGLE PROJECTION	A	5/1(10/1)	K.K.L	L.S.J					
								TOLERANCE	SCALE	DESIGN	DRAWN	CHECKED	APPROVED				



케이유엠주식회사

GENERAL TOLERANCE						
10MAX	50MAX	100MAX	150MAX	200MAX	200VR	ANGLE
±0.2	±0.3	±0.5	±0.8	±1.0	±1.4	±30'