



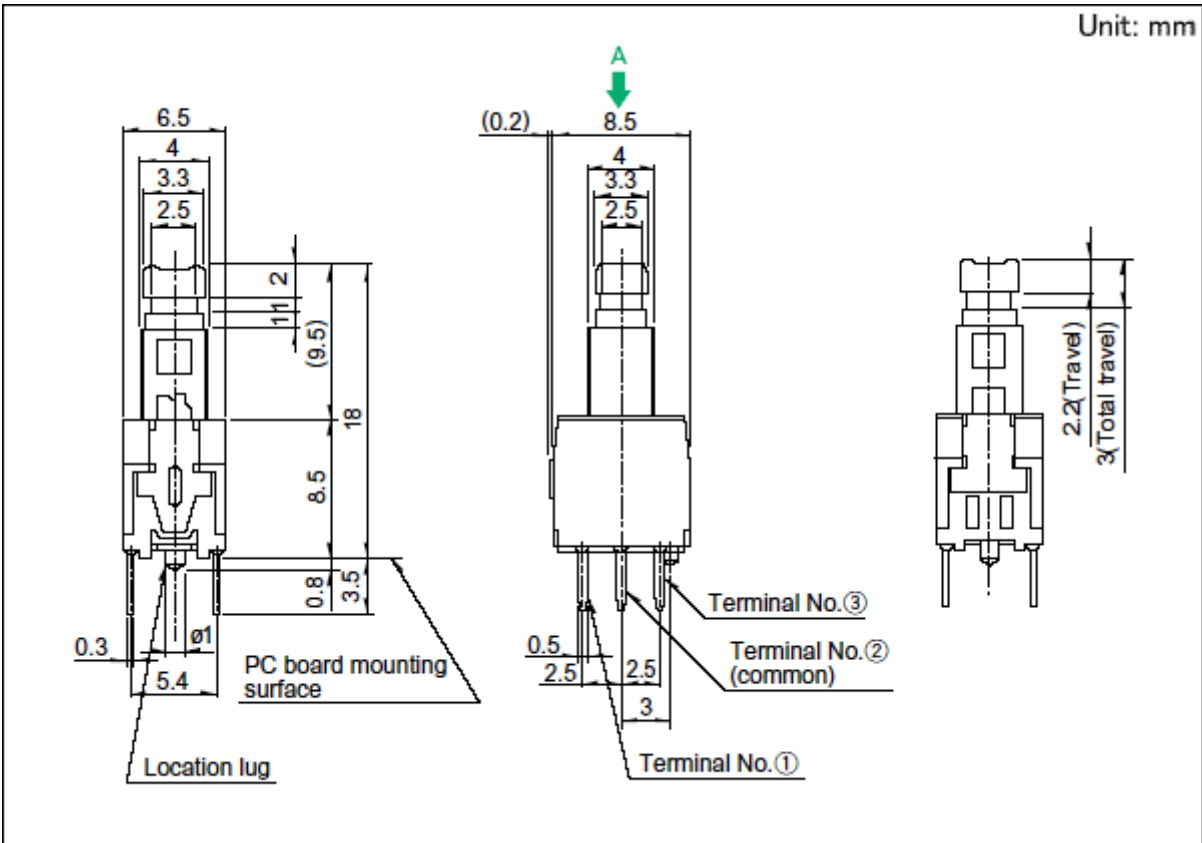
## 2.2mm-travel Medium-sized Vertical Type SPPH4 Series

Changeover timing	Non shorting		
Travel	2.2mm		
Total travel	3mm		
Operating force	2±1N		
Mounting method	PC board		
Poles	2		
Operation	Latching		
Terminal type	Straight		
Location lug	With		
Operating temperature range	-10°C to +60°C		
Rating (max.)/(min.) (Resistive load)	0.1A 30V DC/50 μA 3V DC		
Electrical performance	Contact resistance (Initial performance/After lifetime)	100mΩ max. (Initial performance)	
	Insulation resistance	100MΩ min. 500V DC	
	Voltage proof	500V AC for 1 minute	
Mechanical performance	Terminal strength	5N for 1 minute	
	Actuator strength	Operating direction	30N
		Pulling direction	10N
Durability	Operating life without load	10,000 cycles 100mΩ max.	
	Operating life with load (at max. rated load)	10,000 cycles 100mΩ max.	
Environmental performance	Cold	-20°C 96h	
	Dry heat	85°C 96h	
	Damp heat	40°C, 90 to 95%RH 96h	
Minimum order unit (pcs.)	Japan	1,200	
	Export	6,000	

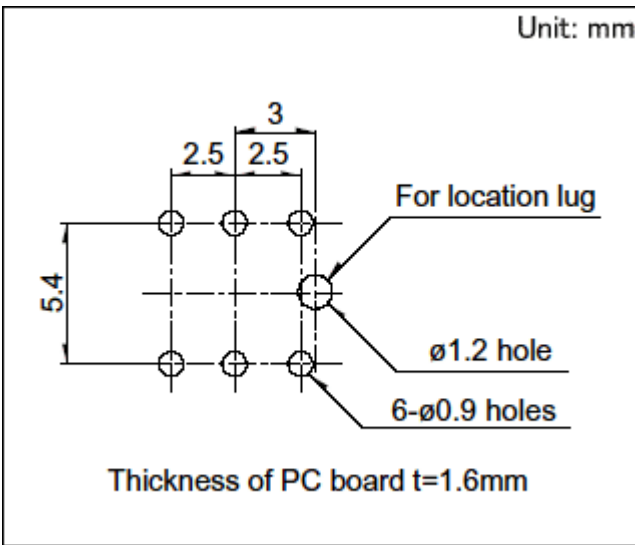
### About Cookies on this site:

This site uses cookies to improve your online experience. By continuing to use this site without changing your cookie preferences, we will assume that you are agreeing to our use of cookies. For more information, visit our [Terms of Use](#).

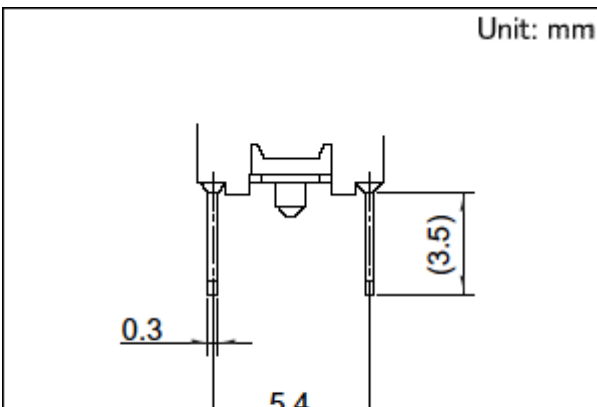
Accept



Mounting Hole Dimensions



Terminal Configuration

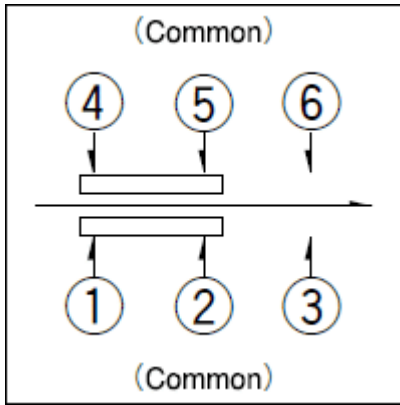


About Cookies on this site :

This site uses cookies to improve your online experience. By continuing to use this site without changing your cookie preferences, we will assume that you are agreeing to our use of cookies. For more information, visit our [Terms of Use](#).

Accept

## Circuit Diagram



## Packing Specifications

## Bulk

Number of packages (pcs.)	1 case / Japan	1,200
	1 case / export packing	6,000

Export package measurements (mm)	400 × 270 × 290
----------------------------------	-----------------

## Soldering Conditions

## Reference for Dip Soldering

Items	Preheating temperature	-
	Preheating time	-
Dip soldering	Soldering temperature	260±5°C
	Duration of immersion	5±1s

## Reference for Hand Soldering

Soldering temperature	350±5°C
Soldering time	3+1/0s

## Notes are common to this series/models.

1. This site catalog shows only outline specifications. When using the products, please obtain formal specifications for supply.
2. Please place purchase orders per minimum order unit (integer).
3. Products other than those listed in the above chart are also available. Please contact us for details.

## About Cookies on this site:

This site uses cookies to improve your online experience. By continuing to use this site without changing your cookie preferences, we will assume that you are agreeing to our use of cookies. For more information, visit our [Terms of Use](#).

Accept