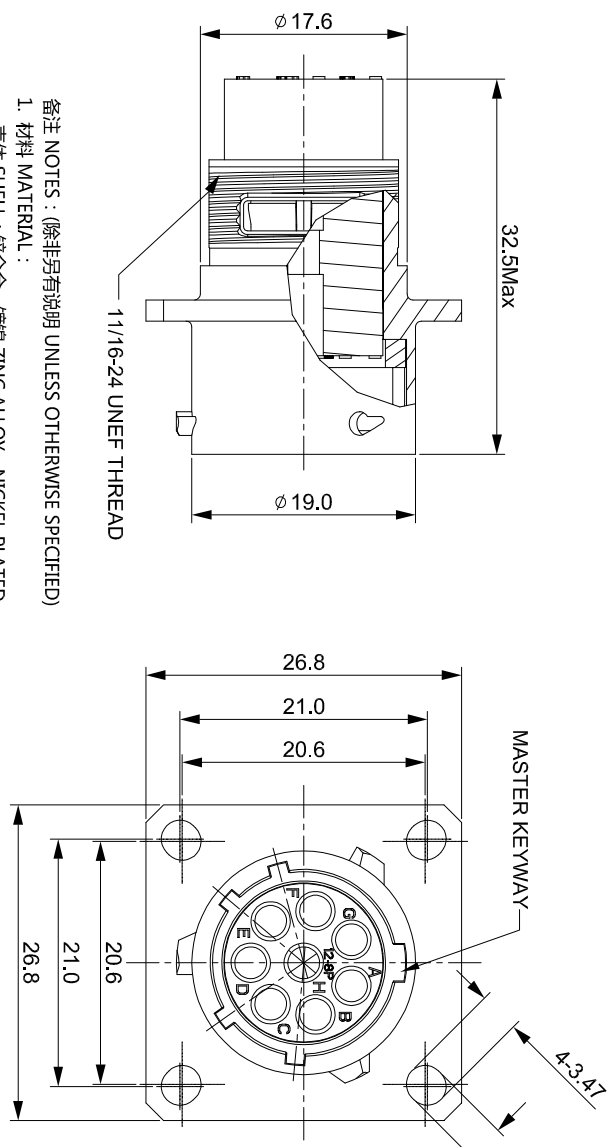
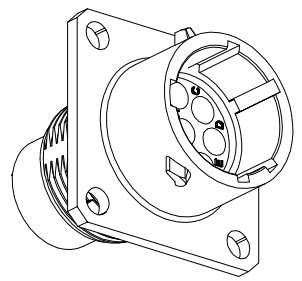


REVISIONS				
REV	ECO	DESCRIPTION	DATE	BY APPR
B1	-	RELEASED DRAWING	JAN-18-2014	ARROW TOMMY



Ø 17.6
32.5Max
Ø 19.0
11/16-24 UNEF THREAD

26.8
21.0
20.6
MASTER KEYWAY
4-3.47
4-3.20+0.10
21.0
20.6
26.8

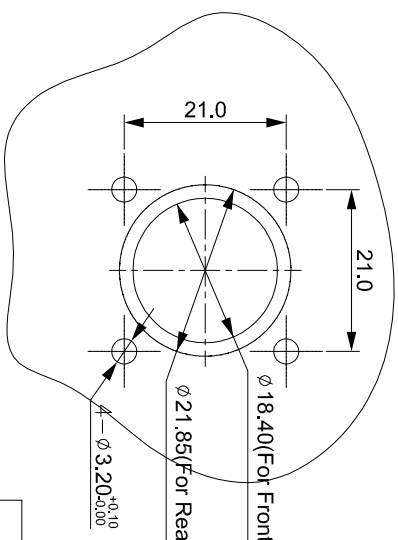


TITLE: RECEPTACLE, SIZE 12, 8POS, PIN

DWG NO: RT00128P-X03

- 备注 NOTES: (除非另有说明 UNLESS OTHERWISE SPECIFIED)
1. 材料 MATERIAL: 壳体 SHELL: 锌合金, 镀镍 ZINC ALLOY, NICKEL PLATED. 胶芯 INSERT: 热塑性塑料 THERMOPLASTIC, UL94 V-0. 密封胶 SEAL GASKET: 橡胶 RUBBER.
 2. 扩展 MODIFICATION: 无 N/A.
 3. 规格 SPECIFICATIONS:
 - 3.1 额定电流: 13A(最大) RATED CURRENT: 13A MAX.
 - 3.2 额定电压: 300V(AC/DC), 300V (AC/DC).
 - 3.3 工作温度: -40°C ~ +125°C

- OPERATING TEMPERATURE: -40°C ~ +125°C.
- 3.4 耐压: 2000V(漏电流小于2mA). DIELECTRIC WITHSTANDING VOLTAGE: LESS THAN 2 MILLIAMPS CURRENT LEAKAGE@2000 VOLTS AC.
 - 3.5 绝缘电阻: 5000兆欧. INSULATION RESISTANCE: 5000 MEGOHMS MIN.
 - 3.6 防护等级: IP67. IP--CLASS: IP67.
 - 3.7 机械寿命: 200次(至少). MATING CYCLES DURABILITY: 200 CYCLES MIN.
 - 3.8 符合RoHS要求 ROHS COMPLIANT.
 4. 相匹配的端子: 16# 端子. SUITABLE CONTACTS: 16# CONTACTS.
 5. 所有尺寸仅为使用/作参考 ALL DIMENSIONS ARE FOR REFERENCE USE ONLY.



PANEL CUT OUT REFERENCE

KEY POS	PART NUMBER
N	RT00128PN03
W	RT00128PW03
X	RT00128PX03
Y	RT00128PY03
Z	RT00128PZ03

QUANTITY	SEE PART NUMBER CHART	PART NUMBER	DESCRIPTION	ITEM
			MATERIALS LIST	

SIGNATURES	DATE	DESCRIPTION
DRAWN: ARROW	JAN-17-2014	<p>Amphenol</p> <p>Sine Systems - www.amphenol-sine.com 44724 Moley Drive Clinton Township, MI 48036</p> <p>RECEPTACLE, SIZE 12 8POS, PIN</p>
CHECKED:		
ENGINEER:		
APPROVAL:		

UNLESS OTHERWISE SPECIFIED 1) All dimensions are metric (mm). 2) Tolerances are as follows: 1 Pl, DEC .0030 2 Pl, DEC .0030 3 Pl, DEC .0030 3) Male reference = Δ	THIS DRAWING IS SUPPLIED FOR YOUR INFORMATION ONLY. SPECIFICATIONS AND PERFORMANCE DATA SHOWN HEREON ARE THE PROPERTY OF AMPHENOL. ALL RIGHTS ARE RESERVED. DIMENSIONS ARE SUBJECT TO NORMAL MANUFACTURING VARIATIONS.	SCALE: NONE	SIZE: B	TYPE: C-	DWG NO: RT00128P-X03	REVISION: B1
PROCESS SPECIFICATIONS:						
MATERIAL SPECIFICATIONS:						
CUSTOMER:						
NEXT ASSY:						

REV: B1 SHE: 1 OF: 1