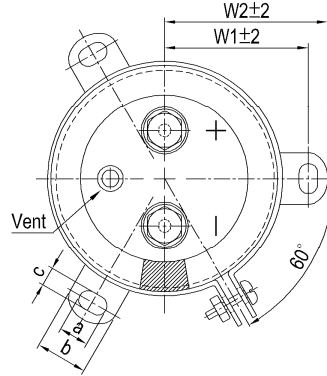
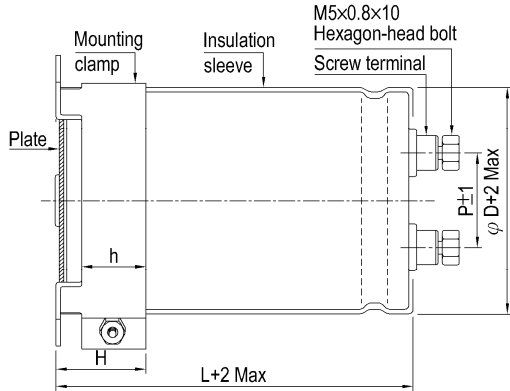


CUSTOMER :
CUSTOMER P/N:

PRODUCT DIMENSIONS



Unit: mm	
ϕ D	76.2
L	145
P	32.0
W1	44.5
W2	49.2
H±1	30
h±1	24
a±0.5	7
b±0.5	14.0
c±0.5	5.0

Items	Performance					
Rated Voltage V_R	400 V					
Capacitance C_R	6800 μ F (120 Hz, 20°C)					
Category Temperature Range	-25°C ~ +85°C					
Capacitance Tolerance	-20 % ~ +20 % (120 Hz, 20°C)					
Surge Voltage V_S	440 VDC					
Leakage Current (20°C)	$I_{LEAK} \leq 4948 \mu$ A After 5 minutes					
Tan δ	≤ 0.15 (120 Hz, 20°C)					
Ripple Current ($I_{AC, R}$ / rms)	12.3 A (120 Hz, 85°C)					
Low Temperature Characteristics at 120 Hz	Rated Voltage	400				
	Capacitance change $C_{(-25^\circ C)} / C_{(+20^\circ C)}$	≥ 0.7				
Ripple Current (A) and Frequency Multipliers	Frequency (Hz)	50 / 60	100 / 120	300	1k	10k up
	Multipliers	0.7	1.0	1.1	1.3	1.4
Ripple Current (A) and Temperature Multipliers	Temperature (°C)	40	60	70	85	
	Multipliers	2.7	2.0	1.7	1.0	
Endurance and Shelf Life Test	Items	Endurance	Shelf Life Test			
	Test Time	2,000 Hrs at 85°C, $V_R, I_{AC, R}$	500 Hrs at 85°C			
	Cap. Change	Within ± 15 % of initial value	Within ± 20 % of initial value			
	Tan δ	Less than 175% of specified value	Less than 200% of specified value			
	Leakage Current	Within specified value	Within specified value			
Shelf Life Test: The rated voltage shall be applied to the capacitors before the measurements (Refer to JIS C 5101-4 4.1)						
Mounting capacitor	Do not mount the capacitor with terminals (safety vent) upside down					
Standards	JIS C 5101-4, IEC 60384-4					
Remarks	RoHS Compliance					

* Please refer to "Precautions and Guidelines for Aluminum Electrolytic Capacitors" section in Lelon's catalog for further details.

Publication Date	November 15, 2018	Approval Signatures:	Approved	Checked	Designed
Revision Date					
Version No.	1		Please return one copy with your approval		