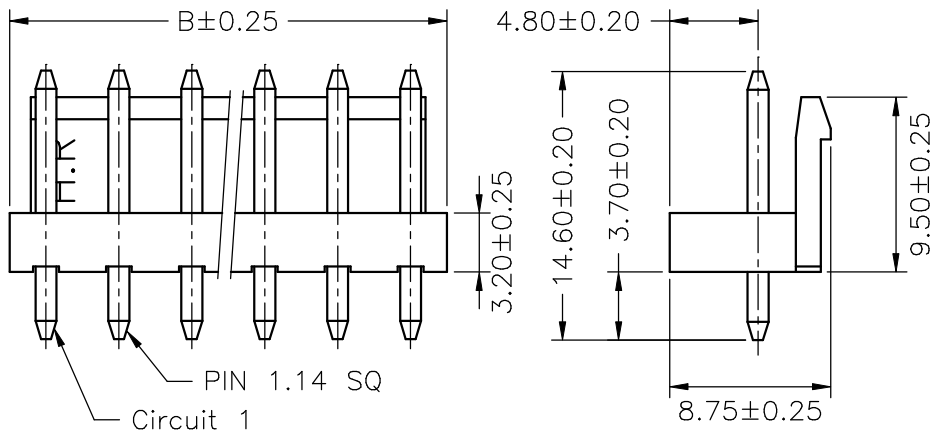
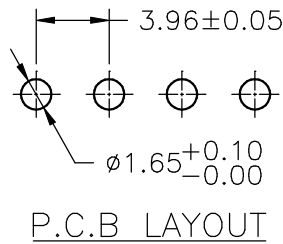
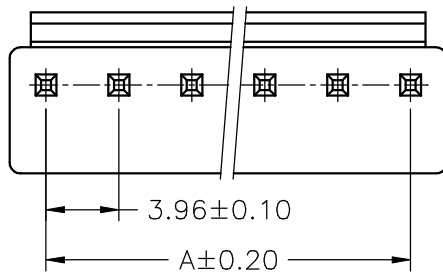


SPECIFICATIONS
 Current Rating: 7A AC,DC
 Voltage Rating: 250V AC,DC
 Temperature Range: -25°C ~ +85°C
 Contact Resistance: 10mΩ Max
 Insulation Resistance: 1000MΩ Min
 Withstanding Voltage: 1500V AC/minute
 Pin Material: Brass/Tin-plated
 Material: Nylon 66,UL94V-0
 Color: Natural(White)

Ordering Information & Dimensions

PART NO.	Dimensions	
	A	B
A3961WV-02P	3.96	7.92
A3961WV-03P	7.92	11.88
A3961WV-04P	11.88	15.84
A3961WV-05P	15.84	19.80
A3961WV-06P	19.80	23.76
A3961WV-07P	23.76	27.72
A3961WV-08P	27.72	31.68
A3961WV-09P	31.68	35.64
A3961WV-10P	35.64	39.60
A3961WV-11P	39.60	43.56
A3961WV-12P	43.56	47.52
A3961WV-13P	47.52	51.48
A3961WV-14P	51.48	55.44
A3961WV-15P	55.44	59.40



				JOINT TECH ELECTRONIC IND. CO., LTD. JOY DAY INDUSTRIAL CO., LTD.	
UNIT	SCALE	SHEET	TITLE:		
mm		1 of 1	3.96mm PITCH 180° WAFER		
DRAWN BY 董正一 2001.02.01		APPROVED BY 董正一 2001.02.01			
GENERAL TOLERANCE			REV. B0		
B0	NEW RELEASE	2006.04.17	X. X±0.25	ANGLE±	
REV.	DESCRIPTION	DATE	X. XX±0.15		
			X. XXX±0.05		