

DESCRIPTION

PT6913A/B is a special current regulator to drive HV LED. Few external components design is very flexible in many compact size applications. The simple driving topology will improve power factor, efficiency. EMI issue will be avoided with this linear control.

PT6913A/B supports maximum 400V input voltage that ensures the high reliability for HV LED lighting. LED open/short is protected by PT6913A/B. The high voltage will be absorbed by PT6913A/B itself. LEDs will never face high voltage problem.

PT6913A/B also provides temperature attenuation function. When internal junction temperature is higher than 150°C (Typ.), PT6913A/B will decrease the output current linearly. This protection method effectively avoids the flicker problem during abnormal environment temperature.

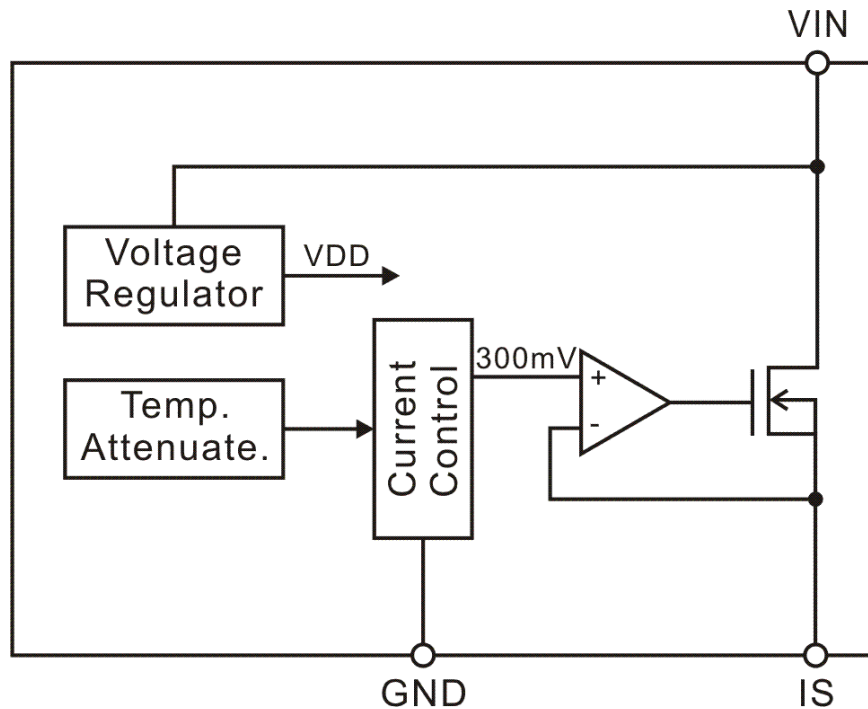
FEATURES

- 5V~400V Operating Voltage
- Maximum 100mA Peak Output Current
- $\pm 5\%$ Current Accuracy
- Parallel Using for High Current Application
- High Power Factor
- High Efficiency
- Few External Components
- Electrical Capacitor Needless
- LED Open/Short Protection
- Temperature Attenuation
When $T_j > 150^\circ\text{C}$ (Typ.), output current will decrease.
- SOT89-3 Package
- TO252-3 Package

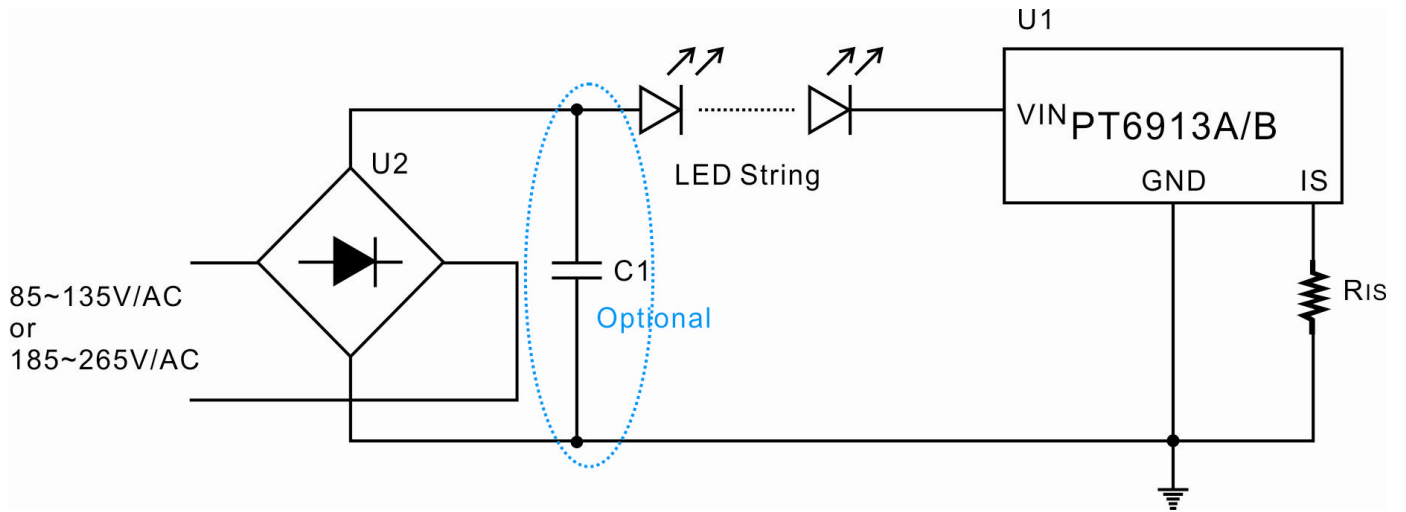
APPLICATIONS

- LED Bulb
- LED Tube Lamp
- Compact Size LED Lighting

BLOCK DIAGRAM



TYPICAL APPLICATION



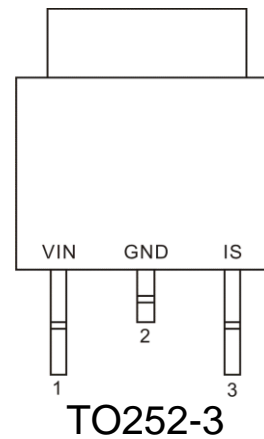
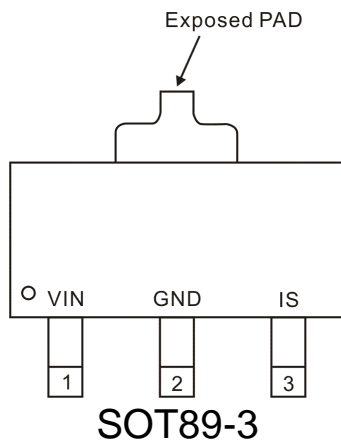
Normal Constant Current Regulator for HV LED

ORDER INFORMATION

Valid Part Number	Eco Plan	Package Type	Top Code
PT6913A	Green(RoHS & no Sb/Br)	SOT89-3	PT6913A
		TO252-3	
PT6913B	Pb-Free	SOT89-3	PT6913B
		TO252-3	

PIN CONFIGURATION

PT6913A/B



PIN DESCRIPTION

Pin Name	Description	Pin No.	
		SOT89-3	TO252-3
VIN	IC Power Supply.	1	1
GND	IC Ground.	2	2
IS	Output Current Setting. The output current is programmable by a resistor across IS pin and IC GND pin.	3	3

IMPORTANT NOTICE

Princeton Technology Corporation (PTC) reserves the right to make corrections, modifications, enhancements, improvements, and other changes to its products and to discontinue any product without notice at any time. PTC cannot assume responsibility for use of any circuitry other than circuitry entirely embodied in a PTC product. No circuit patent licenses are implied.

Princeton Technology Corp.
2F, 233-1, Baociao Road,
Sindian Dist., New Taipei City 23145, Taiwan
Tel: 886-2-66296288
Fax: 886-2-29174598
<http://www.princeton.com.tw>