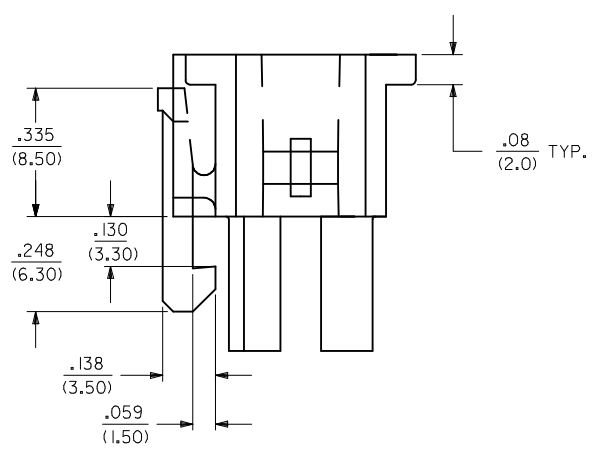
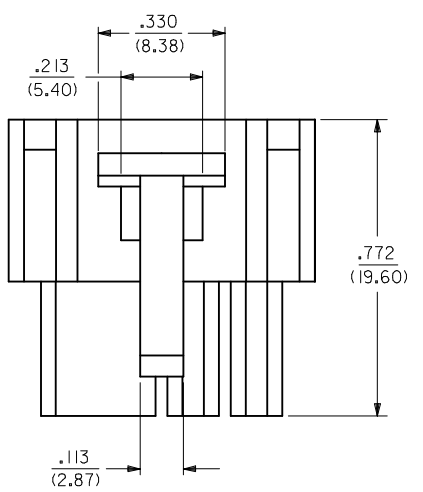
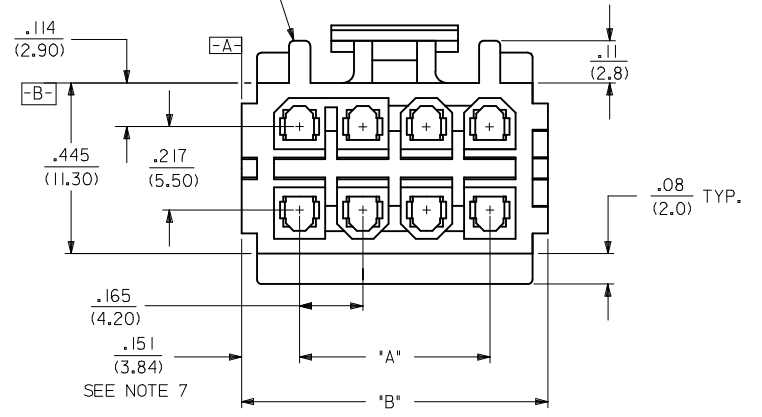


PROTECTIVE SIDES AVAILABLE ON ALL CIRCUITS EXCEPT TWO AND FOUR CIRCUITS.

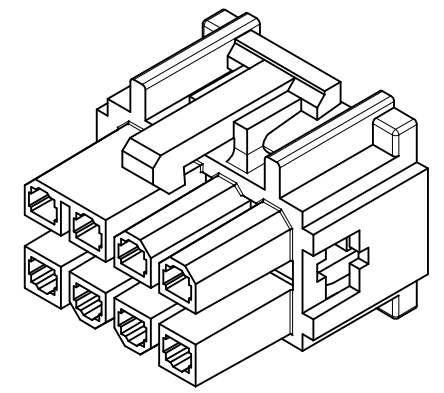
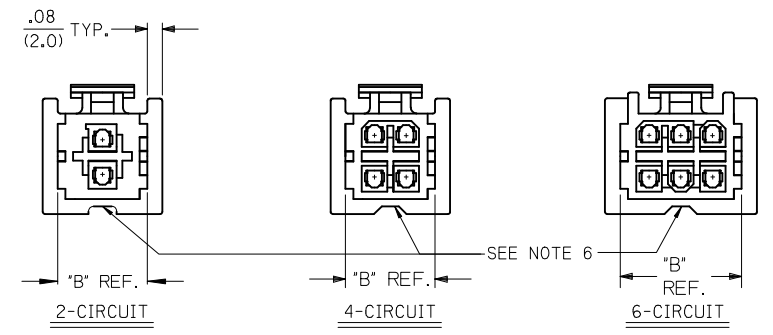
SEE NOTE 8



PROTECTIVE SIDES AVAILABLE ON ALL CIRCUITS EXCEPT TWO AND FOUR CIRCUITS.



SEE NOTE 7



NOTES:

- MATERIAL: UNFILLED POLYESTER. U.L. 94V-0. HOUSING COLOR: SEE CHART
- FINISH: N/A
- PRODUCT SPECIFICATION: PS-5556-003
- PACKAGING SPECIFICATION: PK-30067-001.
- HOUSING TO BE USED WITH TERMINAL #5556. AND T.P.A. LOCK #30072-*. RECEPTACLE HOUSING TO MATE WITH PLUG HOUSING #30068, ST. HEADER #30069, AND RT. ANGLE HEADERS #30070 & #44483. HOUSING ACCEPTS CONNECTOR POSITIONING ASSURANCE (C.P.A.) LOCK #30071.
- RELIEF NOTCH IS OPTIONAL AND MAY OR MAY NOT APPEAR ON 2, 4, 6, 10 & 12 CIRCUIT HOUSINGS ONLY.
- FOR 2 CKT HOUSING, DIMENSION IS .231/5.88
- FOR 2 CKT HOUSINGS, DIMENSION IS .069/1.74
- THIS PART CONFORMS TO CLASS B REQUIREMENTS OF COSMETIC SPEC PS-45499-002.
- TEXT ON PART IS FOR REFERENCE ONLY. TEXT AND TEXT LOCATION MAY VARY DEPENDING ON PART NUMBER AND/OR TOOL.

MODIFY NOTE 8 EC NO: UCP2018-0023 DRW: BAPPELDORN 2017/07/14 CHKD: BELLE 2017/07/14 APPR: FSMITH 2017/07/18 H5	QUALITY SYMBOLS 	GENERAL TOLERANCES (UNLESS SPECIFIED) <table border="1"> <tr> <th></th> <th>mm</th> <th>INCH</th> </tr> <tr> <td>4 PLACES</td> <td>± .10</td> <td>± .004</td> </tr> <tr> <td>3 PLACES</td> <td>± .15</td> <td>± .006</td> </tr> <tr> <td>2 PLACES</td> <td>± .25</td> <td>± .010</td> </tr> <tr> <td>1 PLACE</td> <td>± .36</td> <td>± .014</td> </tr> <tr> <td>0 PLACE</td> <td>± .50</td> <td>± .020</td> </tr> </table>		mm	INCH	4 PLACES	± .10	± .004	3 PLACES	± .15	± .006	2 PLACES	± .25	± .010	1 PLACE	± .36	± .014	0 PLACE	± .50	± .020	DIMENSION STYLE IN/MM	SCALE 4:1	DESIGN UNITS METRIC	THIRD ANGLE PROJECTION
		mm	INCH																					
	4 PLACES	± .10	± .004																					
	3 PLACES	± .15	± .006																					
2 PLACES	± .25	± .010																						
1 PLACE	± .36	± .014																						
0 PLACE	± .50	± .020																						
DESCRIPTION H5	DRAWN BY RYF	DATE 09/23/91	TITLE 2-16 CKT. RECPT. HSG. MINI-FIT T.P.A. SERIES	MATERIAL NO. SD-30067-*	DOCUMENT NO.	SHEET NO. 1 OF 2																		
DRAFT WHERE APPLICABLE MUST REMAIN WITHIN DIMENSIONS	SEE CHART	APPROVED BY FSMITH	DATE 2010/10/25	THIS DRAWING CONTAINS INFORMATION THAT IS PROPRIETARY TO MOLEX INCORPORATED AND SHOULD NOT BE USED WITHOUT WRITTEN PERMISSION																				

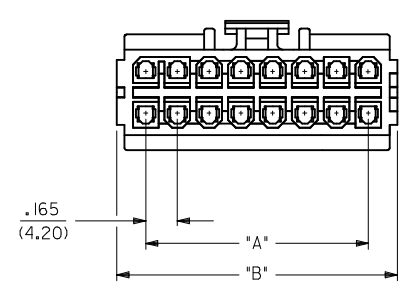
	13	12	11	10	9	8	7	6	5	4	3	2	1
	BLACK		NATURAL										
J	CKT. SIZE	ENG. NO.	EDP. NO.	ENG. NO.	EDP. NO.	DIM. "A"	DIM. "B"						
	02	30067-02A2	I5-97-502I			—	.467 (11.86)						
	04	30067-04A2	I5-97-504I	30067-0412	30067-0412	.165 (4.20)	.467 (11.86)						
I	06	30067-06A2	I5-97-506I	30067-0612	30067-0612	.331 (8.40)	.633 (16.08)						
	08	30067-08A2	I5-97-508I			.496 (12.60)	.798 (20.27)						
	10	30067-10A2	I5-97-510I			.661 (16.80)	.963 (24.46)						
H	12	30067-12A2	I5-97-512I			.827 (21.00)	1.129 (28.68)						
	14	30067-14A2	NOT TOOLED			.992 (25.20)	1.294 (32.87)						
	16	30067-16A2	I5-97-516I			1.157 (29.40)	1.459 (37.06)						

LEGEND:

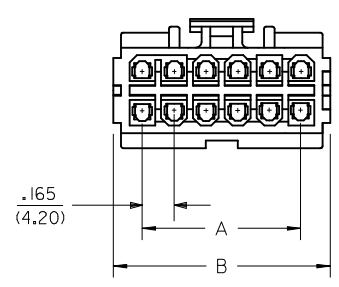
30067 - ** * 2

CIRCUIT SIZE ————
(02-16)

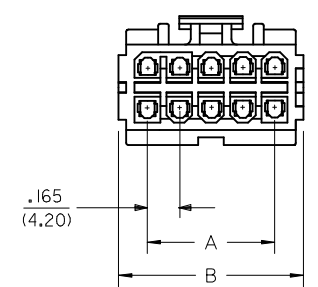
HOUSING COLOR ————
A = BLACK
1 = NATURAL



16 CIRCUITS



12 CKT.



10 CKT.

SEE SHEET 1 EC NO: UCP2018-0023 DRWN:BAPELDORN 2017/07/14 CHKD:JBELL 2017/07/14 APPR:FSMITH 2017/07/18 H5	QUALITY SYMBOLS 	GENERAL TOLERANCES (UNLESS SPECIFIED) <table border="1"> <thead> <tr> <th></th> <th>mm</th> <th>INCH</th> </tr> </thead> <tbody> <tr> <td>4 PLACES ±</td> <td>---</td> <td>---</td> </tr> <tr> <td>3 PLACES ±</td> <td>---</td> <td>±.010</td> </tr> <tr> <td>2 PLACES ±</td> <td>0.25</td> <td>±.014</td> </tr> <tr> <td>1 PLACE ±</td> <td>0.36</td> <td>±---</td> </tr> <tr> <td>0 PLACE ±</td> <td></td> <td>±</td> </tr> </tbody> </table>		mm	INCH	4 PLACES ±	---	---	3 PLACES ±	---	±.010	2 PLACES ±	0.25	±.014	1 PLACE ±	0.36	±---	0 PLACE ±		±	DIMENSION STYLE IN/MM DRAWN BY: RJF DATE: 09/23/91 CHECKED BY: GEP DATE: 09/23/91 APPROVED BY: FSMITH DATE: 2010/10/25	SCALE: 2:1 DESIGN UNITS: METRIC THIRD ANGLE PROJECTION	TITLE: 2-16 CKT. RECP. HSG. MINI-FIT T.P.A. SERIES
		mm	INCH																				
	4 PLACES ±	---	---																				
	3 PLACES ±	---	±.010																				
	2 PLACES ±	0.25	±.014																				
1 PLACE ±	0.36	±---																					
0 PLACE ±		±																					
DRAFT WHERE APPLICABLE MUST REMAIN WITHIN DIMENSIONS		MATERIAL NO.: SEE CHART DOCUMENT NO.: SD-30067-*	SHEET NO.: 2 OF 2																				
THIS DRAWING CONTAINS INFORMATION THAT IS PROPRIETARY TO MOLEX INCORPORATED AND SHOULD NOT BE USED WITHOUT WRITTEN PERMISSION																							