

SSD2829

Advance Information

MIPI D-PHY Tx Bridge Chip

This document contains information on a new product. Specifications and information herein are subject to change without notice.

<http://www.solomon-systech.com>

SSD2829

Rev 1.2

P 1/159

Aug 2017

Copyright © 2017 Solomon Systech Limited

Appendix: IC Revision history of SSD2829 Specification

Version	Change Items	Effective Date
0.10	1 st Release	11-May-16
0.11	<ol style="list-style-type: none"> 1. Section 5.2 Pin Assignment Table (Draft), pins 109 to 128 were amended 2. Modified operating temperature from 125oC to 85 oC 3. Modified MIPI D-Phy AC and DC Characteristic 4. Added back 8-bit MCU mode 5. Modified pin assignment table 6. Modified MIPI DPHY Lane and Polarity Swap table 7. Added description for compressed stream data 	27-May-16
0.12	<ol style="list-style-type: none"> 1. Modified max. PCLK value 2. Modified pin assignment table 	16-Aug-16
0.13	<ol style="list-style-type: none"> 1. Modified Table of MIPI packet ID 2. Modified AVDD_CDR pin description 3. Updated Command table 	26-Sep-16
1.0	Updated to Advance Information	16-Feb-17
1.1	<ol style="list-style-type: none"> 1. Removed 30-bit VPT_EXT 2. Change max. of phase difference of channel 0 and 1 from 1 to 2pclk 3. Changed data buffer from 5120 to 4128 4. Change PLL configuration, from 5MHz<fIN=<100 to 5MHz<fIN=<40MHz 5. Modified DC characteristic 6. Removed descriptions of TE_IN_1 and TE_OUT_1 7. Change PEN range in 0xBA from “501 to 1000” to “501 to 1250” 8. Added power on/off sequence 9. Remove DSI, lane and polarity swap features 	17-Jul-17
1.2	<ol style="list-style-type: none"> 1. Added “Support MIPI DSI standard version 2.0” to feature list 2. Corrected MCU mode type B timing to match with type A 3. Added VDDIO 3.3V and VCIP current consumption for DC characteristic 4. Reserved VID_COMPRESSED_BYTE_COUNT of 0xC8 5. Reserved BYP_BIT_DIV of 0xBB 	27-Sep-17

CONTENTS

1	GENERAL DESCRIPTION	9
2	FEATURES	9
3	ORDERING INFORMATION	9
4	BLOCK DIAGRAM.....	10
5	FUNCTIONAL DESCRIPTION	11
5.1	RGB INTERFACE	11
5.2	COMMAND INTERFACE.....	11
5.3	DATA BUFFER	11
5.4	COMMAND BUFFER.....	11
5.5	MIPI DSI-Tx	11
5.6	XTAL OSC.....	13
5.7	PLL.....	13
5.8	PMU.....	13
6	PIN ARRANGEMENT	14
6.1	128 PINS LQFP.....	14
7	PIN DESCRIPTIONS	16
7.1	POWER SUPPLY PIN	16
7.2	MIPI PIN.....	16
7.3	CONTROL SIGNAL PIN.....	17
7.4	INTERFACE LOGIC PIN	18
8	COMMAND TABLE	19
8.1	LOCAL REGISTERS (NON-APB) DESCRIPTIONS.....	19
8.1.1	<i>RGB Interface Control Register 1</i>	19
8.1.2	<i>RGB Interface Control Register 2</i>	20
8.1.3	<i>RGB Interface Control Register 3</i>	22
8.1.4	<i>RGB Interface Control Register 4</i>	23
8.1.5	<i>RGB Interface Control Register 5</i>	24
8.1.6	<i>RGB Interface Control Register 6</i>	25
8.1.7	<i>Configuration Register</i>	28
8.1.8	<i>Virtual Channel Control Register</i>	31
8.1.9	<i>PLL Control Register</i>	33
8.1.10	<i>PLL Configuration Register</i>	34
8.1.11	<i>Clock Control Register</i>	35
8.1.12	<i>Packet Size Control Register 1</i>	36
8.1.13	<i>Packet Size Control Register 2</i>	38
8.1.14	<i>Packet Size Control Register 3</i>	39
8.1.15	<i>Packet Drop Register</i>	40
8.1.16	<i>Operational Control Register</i>	41
8.1.17	<i>Maximum Return Size Register</i>	43
8.1.18	<i>Return Data Count Register</i>	44
8.1.19	<i>Acknowledge Response Status Register</i>	45
8.1.20	<i>Line Control Register</i>	46
8.1.21	<i>Interrupt Control Register</i>	49
8.1.22	<i>Interrupt Status Register</i>	52
8.1.23	<i>Error Status Register</i>	56
8.1.24	<i>Compressed Register</i>	59
8.1.25	<i>Delay Adjustment Register 1</i>	60
8.1.26	<i>Delay Adjustment Register 2</i>	61
8.1.27	<i>Delay Adjustment Register 3</i>	62
8.1.28	<i>Delay Adjustment Register 4</i>	63
8.1.29	<i>Delay Adjustment Register 5</i>	64

8.1.30	Delay Adjustment Register 6.....	65
8.1.31	HS TX Timer Register 1.....	66
8.1.32	HS TX Timer Register 2.....	67
8.1.33	TE Status Register.....	68
8.1.34	SPI Read Register.....	70
8.1.35	PLL Lock Register.....	71
8.1.36	Test Register.....	72
8.1.37	TE Count Register.....	74
8.1.38	Analog Control Register 1.....	75
8.1.39	RGB Interface Control Register 7.....	77
8.1.40	INOUT Configuration Control Register.....	79
8.1.41	APB Write Register.....	81
8.1.42	APB Read Register.....	82
8.2	LOCAL (APB) REGISTER DESCRIPTIONS.....	83
8.2.1	SCM Registers Descriptions.....	84
8.2.1.1	SCM Miscellaneous Control Register.....	84
8.2.1.2	SCM Scratch Register.....	86
8.2.2	Video BIST Register Descriptions.....	87
8.2.2.1	Video BIST Register 0.....	87
8.2.2.2	Video BIST Register 1.....	87
8.2.2.3	Video BIST Register 2.....	89
8.2.2.4	Video BIST Register 3.....	90
8.2.2.5	Video BIST Register 4.....	91
8.2.2.6	Video BIST Register 5.....	92
8.2.2.7	Video BIST Register 6.....	93
8.2.3	Pixel Peek Registers Descriptions.....	94
8.2.3.1	Pixel Peek Register 0.....	94
8.2.3.2	Pixel Peek Register 1.....	95
8.2.3.3	Pixel Peek Register 2.....	96
8.2.3.4	Pixel Peek Register 3.....	97
9	MAXIMUM RATINGS.....	98
10	DC OPERATING CONDITIONS.....	98
10.1	DC CHARACTERISTICS.....	99
11	AC CHARACTERISTICS.....	100
11.1	POWER UP TIMING.....	100
11.2	RESET TIMING.....	100
11.3	INTERFACE TIMING.....	101
11.3.1	MCU Interface (Type A) Timing.....	101
11.3.2	MCU Interface (Type B) Timing.....	102
11.3.3	SPI Interface Timing.....	104
11.3.4	RGB Interface Timing.....	105
12	POWER UP SEQUENCE.....	106
13	POPWER OFF SEQUENCE.....	107
14	MIPI DPHY CHARACTERISTICS.....	108
14.1	MIPI DPHY HS CHARACTERISTICS.....	110
15	OPERATING MODE.....	113
15.1	PROGRAMMING MODEL.....	113
15.1.1	Access Local (non-APB) Registers.....	114
15.1.2	Access Local (APB) Registers for Write.....	115
15.1.3	Access APB Registers for Read.....	116
15.2	SPI INTERFACE.....	118
15.2.1	SPI Interface 8-Bit 4 Wire.....	118
15.2.2	SPI Interface 8-Bit 3 Wire.....	120

15.2.3	<i>SPI Interface 24-Bit 3 Wire</i>	122
15.3	MCU INTERFACE.....	124
15.3.1	<i>MCU Interface Type A, fixed E mode</i>	124
15.3.2	<i>MCU Interface Type A, Clocked E mode</i>	126
15.3.3	<i>MCU Interface Type B</i>	128
15.3.4	<i>MCU Interface for MIPI Command Packet</i>	130
15.3.5	<i>MCU Interface for Local Registers</i>	131
15.4	RGB INTERFACE	132
15.5	VIDEO MODE USE CASES	132
15.5.1	<i>RGB + SPI</i>	132
15.5.1.1	<i>Interleaving Non-Video Packets with Video Packets</i>	135
15.5.2	<i>Interrupt Operation</i>	136
15.5.3	<i>Internal Buffer Status</i>	138
15.6	COMMAND MODE USE CASES	139
15.6.1	<i>Write Operation</i>	141
15.6.2	<i>Read Operation</i>	142
15.7	VIDEO TO COMMAND MODE CONVERSION	143
15.7.1	<i>Example of switching sequence</i>	144
15.8	STATE MACHINE OPERATION	144
15.9	PHY CONTROLLER OPERATION	145
15.10	PLL CONFIGURATION	145
15.11	CLOCK SOURCE EXAMPLE.....	146
15.12	ACKNOWLEDGEMENT OPERATION	147
15.13	TEARING EFFECT (TE) OPERATION	149
15.13.1	<i>Using IO Pins</i>	149
15.13.2	<i>Using MIPI Escape Mode</i>	150
15.14	CONTENTION DETECTION AND TIMER OPERATION	150
15.15	VIDEO BIST	151
15.16	PIXEL PEEK	156
15.17	IMAGE FLIPPING (HORIZONTAL)	157
16	PACKAGE INFORMATION	158
16.1	QFP 128 PINS (14MM X 14MM).....	158

TABLES

TABLE 3-1: ORDERING INFORMATION	9
TABLE 5-1: DSI-TX SUPPORT FORMAT	12
TABLE 5-2 SSD2829 RGB DATA ARRANGEMENT	13
TABLE 6-1: LQFP PIN ASSIGNMENT TABLE	15
TABLE 7-1: POWER SUPPLY PIN DESCRIPTION	16
TABLE 7-2: MIPI PIN DESCRIPTION	16
TABLE 7-3: CONTROL SIGNAL PIN DESCRIPTION	17
TABLE 7-4: MCU/RGB INTERFACE DESCRIPTION	18
TABLE 7-5: SPI INTERFACE DESCRIPTION	18
TABLE 8-1: RGB INTERFACE CONTROL REGISTER 1 DESCRIPTION	19
TABLE 8-2: RGB INTERFACE CONTROL REGISTER 2 DESCRIPTION	20
TABLE 8-3: RGB INTERFACE CONTROL REGISTER 3 DESCRIPTION	22
TABLE 8-4: RGB INTERFACE CONTROL REGISTER 4 DESCRIPTION	23
TABLE 8-5: RGB INTERFACE CONTROL REGISTER 5 DESCRIPTION	24
TABLE 8-6: RGB INTERFACE CONTROL REGISTER 6 DESCRIPTION	25
TABLE 8-7: RGB DATA ARRANGEMENT	27
TABLE 8-8: CONFIGURATION REGISTER DESCRIPTION	28
TABLE 8-9: VIRTUAL CHANNEL CONTROL REGISTER DESCRIPTION	31
TABLE 8-10: PLL CONTROL REGISTER DESCRIPTION	33
TABLE 8-11: PLL CONFIGURATION REGISTER DESCRIPTION	34
TABLE 8-12: CLOCK CONTROL REGISTER DESCRIPTION	35
TABLE 8-13: PACKET SIZE REGISTER 1 DESCRIPTION	36
TABLE 8-14: PACKET SIZE REGISTER 2 DESCRIPTION	38
TABLE 8-15: PACKET SIZE REGISTER 3 DESCRIPTION	39
TABLE 8-16: PACKET DROP REGISTER DESCRIPTION	40
TABLE 8-17: OPERATIONAL CONTROL REGISTER DESCRIPTION	41
TABLE 8-18: MAXIMUM RETURN SIZE REGISTER DESCRIPTION	43
TABLE 8-19: RETURN DATA COUNT REGISTER DESCRIPTION	44
TABLE 8-20: ACKNOWLEDGE RESPONSE STATUS REGISTER DESCRIPTION	45
TABLE 8-21: LINE CONTROL REGISTER DESCRIPTION	46
TABLE 8-22: INTERRUPT CONTROL REGISTER DESCRIPTION	49
TABLE 8-23: INTERRUPT STATUS REGISTER DESCRIPTION	52
TABLE 8-24: ERROR STATUS REGISTER DESCRIPTION	56
TABLE 8-25: COMPRESSED REGISTER DESCRIPTION	59
TABLE 8-26: DELAY ADJUSTMENT REGISTER 1 DESCRIPTION	60
TABLE 8-27: DELAY ADJUSTMENT REGISTER 2 DESCRIPTION	61
TABLE 8-28: DELAY ADJUSTMENT REGISTER 3 DESCRIPTION	62
TABLE 8-29: DELAY ADJUSTMENT REGISTER 4 DESCRIPTION	63
TABLE 8-30: DELAY ADJUSTMENT REGISTER 5 DESCRIPTION	64
TABLE 8-31: DELAY ADJUSTMENT REGISTER 6 DESCRIPTION	65
TABLE 8-32: HS TX TIMER REGISTER 1 DESCRIPTION	66
TABLE 8-33: HS TX TIMER REGISTER 2 DESCRIPTION	67
TABLE 8-34: TE STATUS REGISTER DESCRIPTION	68
TABLE 8-35: SPI READ REGISTER DESCRIPTION	70
TABLE 8-36: PLL LOCK REGISTER DESCRIPTION	71
TABLE 8-37: TEST REGISTER DESCRIPTION	72
TABLE 8-38: TE COUNT REGISTER DESCRIPTION	74
TABLE 8-39: ANALOG CONTROL REGISTER 1 DESCRIPTION	75
TABLE 8-40: RGB INTERFACE CONTROL REGISTER 7 DESCRIPTION	77
TABLE 8-41: INOUT CONFIGURATION REGISTER DESCRIPTION	79
TABLE 8-42: DELAY ADJUSTMENT REGISTER DESCRIPTION	81
TABLE 8-43: APB READ REGISTER DESCRIPTION	82
TABLE 8-44: SCM MISCELLANEOUS CONTROL DESCRIPTION	84
TABLE 8-45: SCM SCRATCH REGISTER DESCRIPTION	86
TABLE 8-46: VIDEO BIST REGISTER 0 DESCRIPTION	87
TABLE 8-47: VIDEO BIST REGISTER 1 DESCRIPTION	88
TABLE 8-48: VIDEO BIST REGISTER 2 DESCRIPTION	89
TABLE 8-49: VIDEO BIST REGISTER 3 DESCRIPTION	90

TABLE 8-50: VIDEO BIST REGISTER 4 DESCRIPTION	91
TABLE 8-51: VIDEO BIST REGISTER 5 DESCRIPTION	92
TABLE 8-52: VIDEO BIST REGISTER 6 DESCRIPTION	93
TABLE 8-53: PIXEL PEEK REGISTER 0 DESCRIPTION	94
TABLE 8-54: PIXEL PEEK REGISTER 1 DESCRIPTION	95
TABLE 8-55: PIXEL PEEK REGISTER 2 DESCRIPTION	96
TABLE 8-56: PIXEL PEEK REGISTER 3 DESCRIPTION	97
TABLE 9-1: MAXIMUM RATINGS (VOLTAGE REFERENCED TO V _{SS}).....	98
TABLE 10-1 : RECOMMENDED OPERATING CONDITIONS	98
TABLE 11-1 MCU INTERFACE (TYPE A) TIMING CHARACTERISTICS	101
TABLE 11-2: MCU INTERFACE (TYPE B) TIMING CHARACTERISTICS	102
TABLE 11-3 RGB INTERFACE TIMING CHARACTERISTICS	105
TABLE 14-1 : CLOCK SIGNAL SPECIFICATION	109
TABLE 14-2 HS TRANSMITTER DC SPECIFICATIONS	110
TABLE 14-3 HS TRANSMITTER AC SPECIFICATIONS	110
TABLE 14-4 LP TRANSMITTER DC SPECIFICATIONS	111
TABLE 14-5 LP TRANSMITTER AC SPECIFICATIONS	112
TABLE 15-1: SSD2829 LOCAL REGISTER MAP	113
TABLE 15-2: MCU INTERFACE DATA PIN MAPPING FOR COMMAND CYCLE FOR LEGACY REGISTERS	114
TABLE 15-3: MCU INTERFACE DATA PIN MAPPING FOR LEGACY REGISTER	114
TABLE 15-4: MCU INTERFACE DATA PIN MAPPING FOR COMMAND CYCLE FOR EXTENDED REGISTERS WRITE	115
TABLE 15-5: MCU INTERFACE DATA PIN MAPPING FOR EXTENDED REGISTERS WRITE.....	115
TABLE 15-6: MCU INTERFACE DATA PIN MAPPING FOR COMMAND CYCLE FOR EXTENDED REGISTERS READ	116
TABLE 15-7: MCU INTERFACE DATA PIN MAPPING FOR EXTENDED REGISTERS ADDRESS SET	116
TABLE 15-8: MCU INTERFACE DATA PIN MAPPING FOR EXTENDED REGISTERS ADDRESS SET	117
TABLE 15-9: MCU INTERFACE DATA PIN MAPPING FOR COMMAND CYCLE	130
TABLE 15-10: MCU INTERFACE DATA PIN MAPPING FOR PARAMETER CYCLES	131

FIGURES

FIGURE 4-1: SSD2829 BLOCK DIAGRAM	10
FIGURE 6-1 : PINOUT DIAGRAM – 128 PINS LQFP (TOPVIEW)	14
FIGURE 11-1 MCU INTERFACE (TYPE A) TIMING DIAGRAM	101
FIGURE 11-2 SPI INTERFACE TIMING CHARACTERISTICS	104
FIGURE 11-3: SPI INTERFACE TIMING DIAGRAM	104
FIGURE 11-4: RGB INTERFACE TIMING DIAGRAM.....	105
FIGURE 14-1 D-PHY SIGNALING LEVELS.....	108
FIGURE 14-2 DDR CLOCK DEFINITION	108
FIGURE 15-1: SPI INTERFACE 8-BIT 4 WIRE FOR WRITE	118
FIGURE 15-2: SPI INTERFACE 8-BIT 4 WIRE FOR READ	119
FIGURE 15-3: SPI INTERFACE 8-BIT 3 WIRE FOR WRITE	120
FIGURE 15-4: SPI INTERFACE 8-BIT 3 WIRE FOR READ	121
FIGURE 15-5: SPI INTERFACE 24-BIT 3 WIRE FOR WRITE	122
FIGURE 15-6: SPI INTERFACE 24-BIT 3 WIRE FOR READ.....	123
FIGURE 15-7: ILLUSTRATION OF WRITE OPERATION FOR TYPE A, FIXED E MODE INTERFACE.....	125
FIGURE 15-8: ILLUSTRATION OF READ OPERATION FOR TYPE A, FIXED E MODE INTERFACE	125
FIGURE 15-9: ILLUSTRATION OF WRITE OPERATION FOR TYPE A, CLOCKED E MODE INTERFACE	126
FIGURE 15-10: ILLUSTRATION OF READ OPERATION FOR TYPE A, CLOCKED E MODE INTERFACE	127
FIGURE 15-11: ILLUSTRATION OF WRITE OPERATION FOR TYPE B INTERFACE.....	128
FIGURE 15-12: ILLUSTRATION OF READ OPERATION FOR TYPE B INTERFACE	129
FIGURE 15-13: ILLUSTRATION OF RGB INTERFACE PARAMETERS FOR NON-BURST MODE WITH SYNC PULSES	134
FIGURE 15-14: ILLUSTRATION OF RGB INTERFACE PARAMETERS FOR NON-BURST MODE WITH SYNC EVENTS AND BURST MODE	134
FIGURE 16-1: PACKAGE INFORMATION – LQFP 128 PINS	158

1 GENERAL DESCRIPTION

SSD2829 is a MIPI master bridge chip that converts RGB / MCU interface to MIPI DPHY DSI Output.

For RGB interface, it can support resolution up to WQHD (2560x1600) (native) and UHD (4096x2160) (compressed in/out) format with 60Hz refresh rate.

For MCU interface, it can support resolution up to WQHD (2560x1600) (native) and UHD (4096x2160) (compressed in/out) format with 30Hz refresh rate.

2 FEATURES

- Support panel at refresh rate of 60Hz with resolution up to
 - WQHD (2560x1600) (native)
 - UHD (4096 x 2160) (compressed in/out)
- Support MIPI DSI standard version 2.0
- Support MIPI D-PHY standard version 1.1
- Support MIPI DCS standard version 2.0
- Support 2 MIPI D-option DSI engines with throughput up to 10Gbps using 8 D-PHY lanes for each DSI-TX (Each lane is up to 1.25Gbps)
- Support single or dual DSI mode at DSI-TX output
- Support 16, 18, 24-bit per pixel color
- Support MCU interface (DBI version 2.0) up to 24-bits bus width at the input
- Support RGB interface (DPI version 2.0) 48-bits bus width with SDR or DDR pixel clock at the input
- Support serial SPI interface (DBI version 2.0) up to 16-bits at the input
- Support both Video and Command mode
- Support input Left-right or odd-even split in the RGB input
- Support Video BIST generation at the DSI-TX output with different color patterns
- Support Burst or Non-burst video modes
- Each DSI-TX port can control the number of lane independently
- On-chip PLL with variable output frequency
- Power supply: (VDDD and VDDA) 1.2V +/-10%
- IO Power supply: 1.8V +/-10% or 3.3V +/-10%

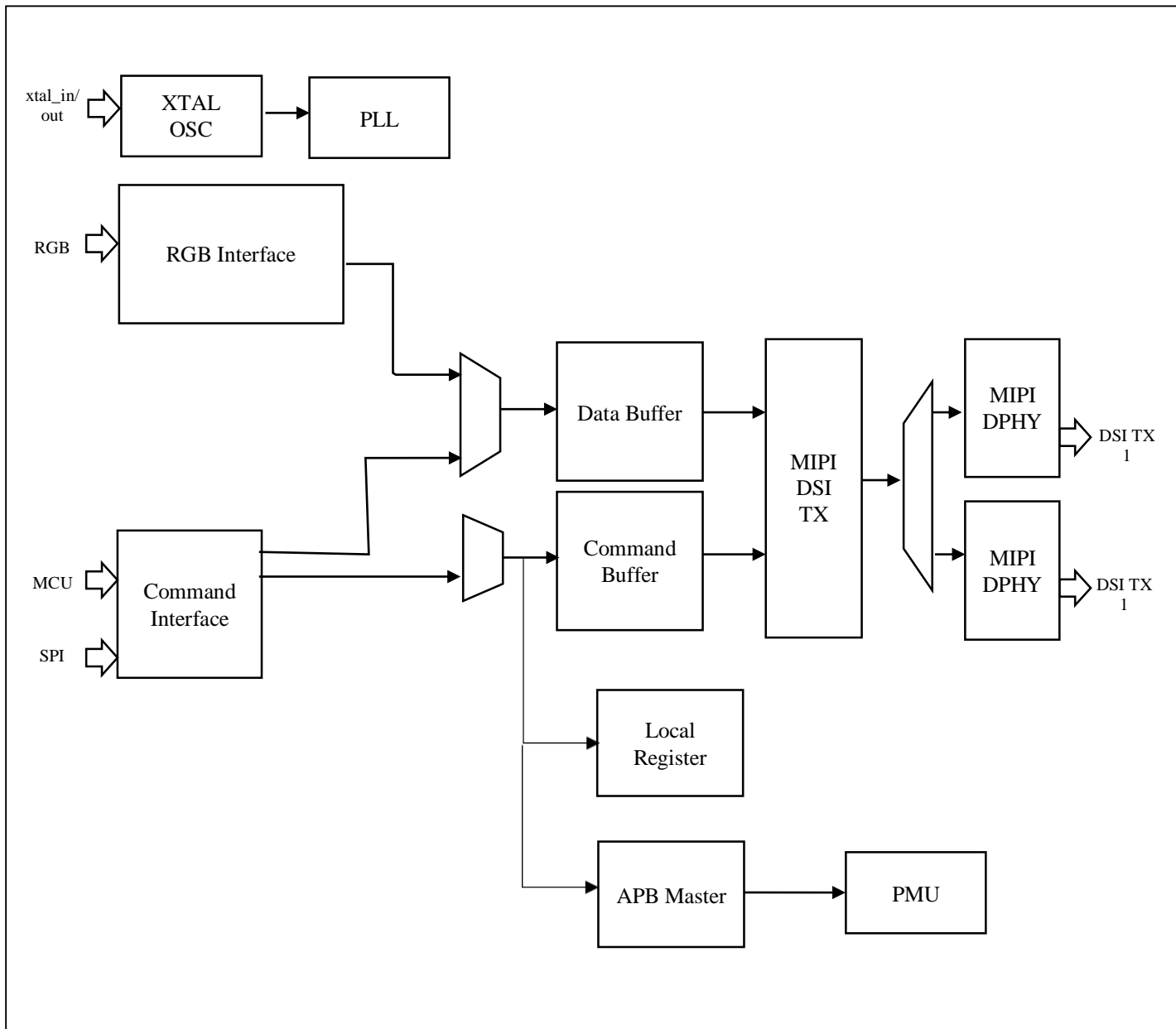
3 ORDERING INFORMATION

Table 3-1: Ordering Information

Ordering Part Number	Package Form
SSD2829QL9	LQFP 128L, 14mm x 14mm

4 BLOCK DIAGRAM

Figure 4-1: SSD2829 Block Diagram



5 FUNCTIONAL DESCRIPTION

5.1 RGB Interface

The RGB interface receives parallel video data and routes them to the data buffer. The RGB interface supports 2 pixels per PCLK cycle. The RGB interface input is 48-bit wide and it supports 2-pixels per RGB module using SDR or DDR input pixel clock. The maximum speed for the RGB interface is 160MHz.

5.2 Command Interface

The Command interface receives parallel MCU data or SPI data and routes them to the command buffer. The MCU interface supports 8-bit, 16-bit and 24-bit data width. The maximum speed for the MCU interface is 160MHz.

5.3 Data Buffer

The data buffer consists of line buffers to store one line worth of video data before packetizing them for MIPI TX transmission. Data for command 0x2C and 0x3C also make use of the data buffer for storage, instead of going to the command buffer.

There are one line buffer per MIPI DSI TX port. For DSI TX0, the line buffer size is 2560 pixels. For DSI TX1, the size is 2064 pixels. Dual DSI TX port can support up to $2 \times 2064 = 4128$ pixels.

5.4 Command Buffer

The command buffer consist of a 4096 bytes deep FIFO to store commands before packetizing them to command packets for MIPI TX transmission. Command 0x2C and 0x3C are excluded in this command buffer. They are routed to use data buffer instead.

There are one command FIFO per MIPI DSI TX port.

5.5 MIPI DSI-Tx

MIPI DSI-TX is a dual DSI TX module, up to 8 lanes for D-option.
Each DSI is 1.25Gbps per lane for D-option.

The main features of MIPI DSI-TX transmitter pairs are,

- Dual DSI-TX D-option up to 8-lanes
- 4 lanes for each DSI-TX D-option
- Support up to 2560 pixel/line for 1 DSI
- Up to 1.25Gbps per lane for each D-option lane or 10Gbps for 2 DSI DPHY
- Single or dual DSI mode
- Support 16, 18, 24-bit per pixel
- Support burst or non-burst mode
- Support new commands in DSI-2, such as Execute Queue, Scrambler On/Off, Compressed packets
- Support MIPI Alliance Standard for Display Serial Interface-2, version 1
- Support MIPI Alliance Standard for Display Command Set, version 1.02
- Support MIPI Alliance Standard for D-PHY, version 1.00

The MIPI packets that are supported by MIPI DSI-TX are listed in the table below.

Table 5-1: DSI-TX Support Format

Data Type (Hex)	Data Type (Bin)	Type	Description
0x01	00 0001	Short	Sync Event V Start
0x11	01 0001	Short	Sync Event V End
0x21	10 0001	Short	Sync Event H Start
0x31	11 0001	Short	Sync Event H End
0x08	00 1000	Short	End of Transmission (EoT)
0x02	00 0010	Short	Color Mode (CM) Off
0x12	01 0010	Short	Color mode (CM) On
0x22	10 0010	Short	Shut Down Peripheral
0x32	11 0010	Short	Turn On Peripheral
0x03	00 0011	Short	Generic Short Write, no parameter
0x13	01 0011	Short	Generic Short Write, 1 parameter
0x23	10 0011	Short	Generic Short Write, 2 parameters
0x04	00 0100	Short	Generic Read, no parameter
0x14	01 0100	Short	Generic Read, 1 parameter
0x24	10 0100	Short	Generic Read, 2 parameters
0x05	00 0101	Short	DCS Short Write, no parameter
0x15	01 0101	Short	DCS Short Write, 1 parameter
0x06	00 0110	Short	DCS Read, no parameter
0x16	01 0110	Short	Execute Queue
0x37	11 0111	Short	Set Maximum Return Packet Size
0x27	10 0111	Short	Scrambling Mode Command
0x09	00 1001	Long	Null Packet
0x19	01 1001	Long	Blanking Packet
0x39	11 1001	Long	DCS Long Write
0x0A	00 1010	Long	Picture Parameter Set
0x0B	00 1011	Long	Compressed Pixel Stream
0x0E	00 1110	Long	Packed Pixel Stream, 16-bit RGB, 5-6-5 Format
0x1E	01 1110	Long	Packed Pixel Stream, 18-bit RGB, 6-6-6 Format
0x2E	10 1110	Long	Loosely Packed Pixel Stream, 18-bit RGB, 6-6-6 Format
0x3E	11 1110	Long	Packed Pixel Stream, 24-bit RGB, 8-8-8 Format
0x02	00 0010	Short	Acknowledge and Error Report
0x11	01 0001	Short	Generic Short Read Response, 1 byte returned
0x12	01 0010	Short	Generic Short Read Response, 2 bytes returned

Data Type (Hex)	Data Type (Bin)	Type	Description
0x1A	01 1010	Long	Generic Long Read Response
0x1C	01 1100	Long	DCS Long Read Response
0x21	10 0001	Short	DCS Short Read Response, 1 byte returned
0x22	10 0010	Short	DCS Short Read Response, 2 bytes returned

MIPI DSI Link controller provides MIPI DSI packet assembly and disassembly. During transmission, it will form the DSI packet according to the instruction from the state machine. During reception, it will extract necessary information from the packet and pass to the higher level block. The MIPI DSI Link Controller is also responsible for generating the CRC and ECC for the out-going bit stream. During reception, it will check the correctness of the ECC and CRC field of the incoming stream.

When operated in 2-DSI mode, the MIPI DSI Link Controller is able to split the incoming video into 2 equal portions and send each half of the line to each of the MIPI DSI engines. Each MIPI DSI engine take the half video data and reformat it into RGB 16/18/24-bit packet and send out as 1 packet per line.

A line buffer is used to buffer a single video line from the upstream module and it will regenerate the Video timing with the video settings stored inside the local registers. The output rate from the buffer must be greater than the input rate to prevent data overflow.

MIPI DSI Link controller is also capable of sending DCS/Generic commands to external MIPI DSI drivers via multiple sources.

Table 5-2 SSD2829 RGB data arrangement

	D23	D22	D21	D20	D19	D18	D17	D16	D15	D14	D13	D12	D11	D10	D9	D8	D7	D6	D5	D4	D3	D2	D1	D0
24bpp	R7	R6	R5	R4	R3	R2	R1	R0	G7	G6	G5	G4	G3	G2	G1	G0	B7	B6	B5	B4	B3	B2	B1	B0
18bpp	X	X	X	X	X	X	R5	R4	R3	R2	R1	R0	G5	G4	G3	G2	G1	G0	B5	B4	B3	B2	B1	B0
16bpp	X	X	X	X	X	X	X	X	R4	R3	R2	R1	R0	G5	G4	G3	G2	G1	G0	B4	B3	B2	B1	B0

5.6 XTAL OSC

This is a crystal oscillator pad. From a circuit point of view, the crystal oscillator I/O cells are not real oscillators, but amplifiers used to generate high quality clock signals. Full range configurable output driving capability

5.7 PLL

This is a PLL control the MIPI output frequency.

5.8 PMU

The PMU (Power Management Unit) is responsible for putting SSD2829 into deep-sleep mode, cutting the power consumption to ultra-low level. Internally, it uses APB interface for register programming

6 PIN ARRANGEMENT

6.1 128 pins LQFP

Figure 6-1 : Pinout Diagram – 128 pins LQFP (Topview)

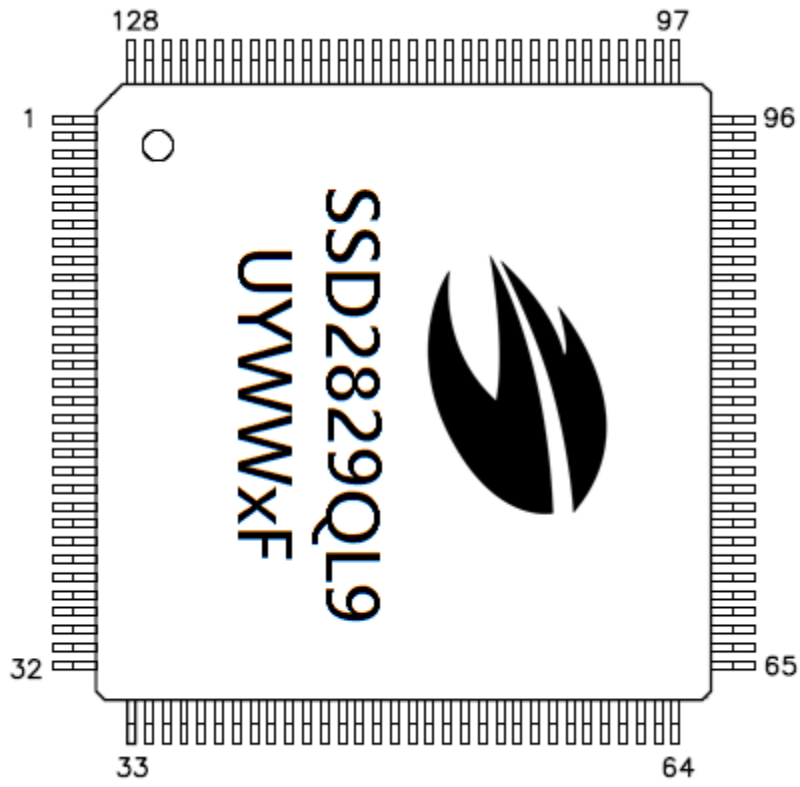


Table 6-1: LQFP Pin Assignment Table

Pin #	QFP Pin name	Pin #	QFP Pin name	Pin #	QFP Pin name	Pin #	QFP Pin name
1	AVDD	33	DATA0_13	65	DATA0_44	97	AVDD
2	VSS	34	DATA0_14	66	DATA0_45	98	AVDD_CDR
3	VDD_CORE	35	DATA0_15	67	DATA0_46	99	TXB_DN3
4	IF_SEL0	36	DATA0_16	68	DATA0_47	100	TXB_DP3
5	VDDIO	37	DATA0_17	69	DATA0_48	101	TXB_DN0
6	VSS	38	DATA0_18	70	DATA0_49	102	TXB_DP0
7	VSS	39	DATA0_19	71	DATA0_50	103	VDRV
8	VSS	40	DATA0_20	72	DATA0_51	104	AVDD
9	RST_IN	41	DATA0_21	73	DATA0_52	105	TXB_CN
10	VDDIO	42	DATA0_22	74	DATA0_53	106	TXB_CP
11	VDD_CORE	43	DATA0_23	75	SDO	107	TXB_DN1
12	VSS	44	TE_OUT_0	76	SDI	108	VDRV
13	CSX0	45	TE_OUT_1	77	SCK	109	TXB_DP1
14	CLK_IN	46	VDDIO	78	DEN	110	TXB_DN2
15	PD_N	47	XTAL_IN	79	PCLK	111	TXB_DP2
16	VSYNC	48	XTAL_OUT	80	HSYNC	112	AVDD_RC
17	HSYNC	49	VSS	81	VSYNC	113	VCIP
18	PCLK	50	VDD_CORE	82	TE_IN_1_CM	114	VDRV_REG
19	DEN	51	DATA0_30	83	TE_IN_0_CM	115	AVSS
20	DATA0_0	52	DATA0_31	84	VSS	116	TXA_DN3
21	DATA0_1	53	DATA0_32	85	VDD_CORE	117	TXA_DP3
22	DATA0_2	54	DATA0_33	86	VDDIO	118	TXA_DN0
23	DATA0_3	55	DATA0_34	87	SDC	119	TXA_DP0
24	DATA0_4	56	DATA0_35	88	PS4	120	VDRV
25	DATA0_5	57	DATA0_36	89	PS3	121	AVDD
26	DATA0_6	58	DATA0_37	90	PS2	122	TXA_CN
27	DATA0_7	59	DATA0_38	91	PS1	123	TXA_CP
28	DATA0_8	60	DATA0_39	92	PS0	124	TXA_DN1
29	DATA0_9	61	DATA0_40	93	INT_B	125	VDRV
30	DATA0_10	62	DATA0_41	94	VDD_CORE	126	TXA_DP1
31	DATA0_11	63	DATA0_42	95	VSS	127	TXA_DN2
32	DATA0_12	64	DATA0_43	96	AVDD	128	TXA_DP2

7 PIN DESCRIPTIONS

Key:

- I = Input
- O =Output
- IO = Bi-directional (input/output)
- P = Power pin

7.1 Power Supply Pin

Table 7-1: Power Supply Pin Description

Pin name	Type	Connect to	Description	When not in use
VDD	P	Power	Core Power Supply, 1.2V	-
VDDIO	P	Power	I/O Power Supply, 1.8V or 3.3V	-
VSS	P	GND	Ground	-
AVDD_CDR	P	Power	Analog Regulator Output for DPHY CDR, 1.2V	-
AVDD_RC	P	Power	Analog Power Supply 1.2V	-
AVDD	P	Power	Analog Power Supply 1.2V	-
AVDD_CORE	P	Power	Analog Core Power Supply 1.2V	-
AVSS	P	GND	Ground	-
VCIP	P	Power	Power for Bandgap, 3.3V	-
VDRV_REG	P	Power	LV Regulator Output	-
VDRV	P	Power	Power for MIPI TX Driver (to be connected to VDRV_REG, 0.5V)	-

7.2 MIPI Pin

Table 7-2: MIPI Pin Description

Pin name	Type	Connect to	Description	When not in use
TX0_DP0	I/O	MIPI Tx	TX0 DSI Data Lane Positive 0	Open
TX0_DN0	I/O		TX0 DSI Data Lane Negative 0	
TX0_DP1	O		TX0 DSI Data Lane Positive 1	
TX0_DN1	O		TX0 DSI Data Lane Negative 1	
TX0_DP2	O		TX0 DSI Data Lane Positive 2	
TX0_DN2	O		TX0 DSI Data Lane Negative 2	
TX0_DP3	O		TX0 DSI Data Lane Positive 3	
TX0_DN3	O		TX0 DSI Data Lane Negative 3	
TX0_CP	O		TX0 DSI Clock Lane Positive	
TX0_CN	O		TX0 DSI Clock Lane Negative	
TX1_DP0	I/O		TX1 DSI Data Lane Positive 0	
TX1_DN0	I/O		TX1 DSI Data Lane Negative 0	
TX1_DP1	O		TX1 DSI Data Lane Positive 1	
TX1_DN1	O		TX1 DSI Data Lane Negative 1	
TX1_DP2	O		TX1 DSI Data Lane Positive 2	

TX1_DN2	O	TX1 DSI Data Lane Negative 2
TX1_DP3	O	TX1 DSI Data Lane Positive 3
TX1_DN3	O	TX1 DSI Data Lane Negative 3
TX1_CP	O	TX1 DSI Clock Lane Positive
TX1_CN	O	TX1 DSI Clock Lane Negative

7.3 Control Signal Pin

Table 7-3: Control Signal Pin Description

Pin name	Type	Connect to	Description	When not in use
RESET	I	VDDIO / GND	System Reset signal to the whole chip, active low	VDDIO
INT_B	O	-	Output Interrupt Signal	Open
PD_N	I	VDDIO / GND	Power Down, active low	VDDIO
IF_SEL[0]	I	VDDIO / GND	Interface selection signals - 0 : A combination of RGB and SPI interface is selected - 1 : MCU interface is selected	VDDIO / GND
PS[4:0]	I	VDDIO / GND	Interface selection signal PS[1:0] is for SPI interface - 00: 3 wire 24-bit SPI interface - 01: 3 wire 8-Bit SPI interface - 10: 4 wire 8-Bit SPI interface - 11: Reserved PS[4:2] is for the MCU interface When if_sel is '01' - 000: 8-Bit MCU interface (MIPI DBI type B) - 001: 16-bit MCU interface (MIPI DBI type B) - 010: 8-Bit MCU interface (MIPI DBI type A, fixed E or clocked E mode) - 011: 16-bit MCU interface (MIPI DBI type A, fixed E or clocked E mode) - 100: 24-bit MCU interface (MIPI DBI type B) - 110: 24-bit MCU interface (MIPI DBI type A, fixed E or clocked E mode) - 101: reserved - 111: reserved	VDDIO / GND
CLK_IN	I	-	Reserved	Open
XTAL_OUT	I	-	Crystal inout for System PLL	Open
XTAL_IN	I	External CLK	Crystal in for System PLL Frequency range: 8MHz to 30MHz	-

7.4 Interface Logic Pin

Table 7-4: MCU/RGB Interface Description

Pin name	Type	Connect to	Description	When not in use
DATA0[53:30]	I/O	MCU/RGB Signals	RGB data for RGB Interface	Open
DATA0[23:0]	I/O		RGB data for RGB Interface MCU data for MCU interface	Open
VSYNC / E / WRX	I		- Vsync for lower RGB interface - E clock signal for MCU interface (This is for MIPI DBI type A interface) - Write enable signal for MCU interface. Enabled when low. (This is for MIPI DBI type B interface)	VDDIO / GND
PCLK / RWX / RDX	I		- PCLK for lower RGB interface - Read/Write selection signal for MCU interface. Read cycle when high, write cycle when low. (This is for MIPI DBI type A interface) - Read enable signal for MCU interface. Enabled when low. (This is for MIPI DBI type B interface.)	VDDIO / GND
HSYNC	I		- Hsync for lower RGB interface	VDDIO / GND
DEN; DCX	I		- Den for lower RGB interface - Data or command signal for MCU interface	VDDIO / GND
TE_IN_0	I		Input Tearing Effect Signal for MCU	VDDIO / GND
TE_OUT_0	O		Output Tearing Effect Signal for MCU	Open
TE_IN_1	I		Reserved	VDDIO / GND
TE_OUT_1	O		Reserved	Open

Table 7-5: SPI Interface Description

Pin name	Type	Connect to	Description	When not in use
CSX0	I	SPI Signal	Chip Select for SPI interface	VDDIO
SDC	I		Data or Command for SPI interface (for 8-bit 4 wire)	VDDIO / GND
SCK	I		Serial clock for SPI interface	VDDIO / GND
SDI	I		Serial data input for SPI interface	VDDIO / GND
SDO	O		Serial data output for SPI interface	Open

8 COMMAND TABLE

8.1 Local Registers (non-APB) Descriptions

8.1.1 RGB Interface Control Register 1

								Offset Address
RICR1	RGB Interface Control Register 1							0xB1
BIT	31	30	29	28	27	26	25	24
NAME								
TYPE	RO	RO	RO	RO	RO	RO	RO	RO
RESET	0x0	0x0	0x0	0x0	0x0	0x0	0x0	0x0
BIT	23	22	21	20	19	18	17	16
NAME								
TYPE	RO	RO	RO	RO	RO	RO	RO	RO
RESET	0x0	0x0	0x0	0x0	0x0	0x0	0x0	0x0
BIT	15	14	13	12	11	10	9	8
NAME	VSA							
TYPE	RW							
RESET	0x02							
BIT	7	6	5	4	3	2	1	0
NAME	HSA							
TYPE	RW							
RESET	0x0A							

Table 8-1: RGB Interface Control Register 1 Description

Name	Description	Setting
Reserved Bit 31-16	Reserved	Not Applicable
VSA Bit 15-8	VSA – Vertical Sync Active Period These bits specify the Vsync active period. The Hsync active period is from the Vsync falling edge to rising edge, in terms of Hsync lines. It is only used in non-burst mode with Sync pulses. (The minimum value is 1)	Per Application Condition
HSA Bit 7-0	HSA – Horizontal Sync Active Period These bits specify the Hsync active period. The Hsync active period is from the Hsync falling edge to rising edge, in terms of pclk. It is only used in non-burst mode with Sync pulses. (The minimum value is 1)	Per Application Condition

8.1.2 RGB Interface Control Register 2

Offset Address

RICR2

RGB Interface Control Register 2

0xB2

BIT	31	30	29	28	27	26	25	24
NAME	VBP[15:8]							
TYPE	RW							
RESET	0x00							
BIT	23	22	21	20	19	18	17	16
NAME	HBP[15:8]							
TYPE	RW							
RESET	0x00							
BIT	15	14	13	12	11	10	9	8
NAME	VBP[7:0]							
TYPE	RW							
RESET	0x02							
BIT	7	6	5	4	3	2	1	0
NAME	HBP[7:0]							
TYPE	RW							
RESET	0x14							

Table 8-2: RGB Interface Control Register 2 Description

Name	Description	Setting
VBP[15:8] Bit 31-24	VBP – Vertical Back Porch Period High Byte Refer to VBP[7:0] for description	Per Application Condition
HBP[15:8] Bit 23-16	HBP – Horizontal Back Porch Period High Byte Refer to HBP[7:0] for description	Per Application Condition
VBP[7:0] Bit 15-8	VBP – Vertical Back Porch Period Low Byte These bits specify the vertical back porch period in terms of Hsync pulses. The vertical back porch period depends on the video mode setting. If the mode is non-burst mode with Sync pulses, it is from the Vsync rising edge to the Hsync of the first line of active display. If the mode is non-burst mode with Sync events or burst mode, it is from the Vsync falling edge to the Hsync of the first line of active display. (The minimum value is 1)	Per Application Condition
HBP[7:0] Bit 7-0	HBP – Horizontal Back Porch Period Low Byte These bits specify the horizontal back porch period in terms of pclk. The horizontal back porch period depends on the non-burst mode setting.	Per Application Condition

Name	Description	Setting
	<p>If the mode is non-burst mode with Sync pulses, it is from the Hsync rising edge to the start of the valid display pixel.</p> <p>If the mode is non-burst mode with Sync events or burst mode, it is from the Hsync falling edge to the start of the valid display pixel.</p> <p>(The minimum value is 1)</p>	

8.1.3 RGB Interface Control Register 3

Offset Address

RICR3

RGB Interface Control Register 3

0xB3

BIT	31	30	29	28	27	26	25	24
NAME	VFP[15:8]							
TYPE	RW							
RESET	0x00							
BIT	23	22	21	20	19	18	17	16
NAME	HFP[15:8]							
TYPE	RW							
RESET	0x00							
BIT	15	14	13	12	11	10	9	8
NAME	VFP[7:0]							
TYPE	RW							
RESET	0x02							
BIT	7	6	5	4	3	2	1	0
NAME	HFP[7:0]							
TYPE	RW							
RESET	0x14							

Table 8-3: RGB Interface Control Register 3 Description

Name	Description	Setting
VFP[15:8] Bit 31-24	VFP – Vertical Front Porch Period High Byte Refer to VFP[7:0] for description	Per Application Condition
HFP[15:8] Bit 23-16	HFP – Horizontal Front Porch Period High Byte Refer to HFP[7:0] for description	Per Application Condition
VFP[7:0] Bit 15-8	VFP – Vertical Front Porch Period Low Byte These bits specify the vertical front porch period in terms of Hsync pulses. The vertical front porch period is from the first Hsync after the last line of active display to the next Vsync falling edge.	Per Application Condition
HFP[7:0] Bit 7-0	HFP – Horizontal Front Porch Period Low Byte These bits specify the horizontal front porch period in terms of pclk. The horizontal front porch period is from the end of the valid display pixel to the next Hsync falling edge.	Per Application Condition

8.1.4 RGB Interface Control Register 4

Offset Address

RICR4

RGB Interface Control Register 4

0xB4

BIT	31	30	29	28	27	26	25	24
NAME								
TYPE	RO	RO	RO	RO	RO	RO	RO	RO
RESET	0x0	0x0	0x0	0x0	0x0	0x0	0x0	0x0
BIT	23	22	21	20	19	18	17	16
NAME								
TYPE	RO	RO	RO	RO	RO	RO	RO	RO
RESET	0x0	0x0	0x0	0x0	0x0	0x0	0x0	0x0
BIT	15	14	13	12	11	10	9	8
NAME	HACT[15:8]							
TYPE	RW							
RESET	0x07							
BIT	7	6	5	4	3	2	1	0
NAME	HACT[7:0]							
TYPE	RW							
RESET	0x80							

Table 8-4: RGB Interface Control Register 4 Description

Name	Description	Setting
Reserved Bit 31-16	Reserved	Not Applicable
HACT Bit 15-0	HACT – Horizontal Active Period These bits specify the horizontal active period in terms of pclk. During the horizontal active period, the den signal should always be high.	Per Application Condition

8.1.5 RGB Interface Control Register 5

Offset Address

RICR5

RGB Interface Control Register 5

0xB5

BIT	31	30	29	28	27	26	25	24
NAME								
TYPE	RO	RO	RO	RO	RO	RO	RO	RO
RESET	0x0	0x0	0x0	0x0	0x0	0x0	0x0	0x0
BIT	23	22	21	20	19	18	17	16
NAME								
TYPE	RO	RO	RO	RO	RO	RO	RO	RO
RESET	0x0	0x0	0x0	0x0	0x0	0x0	0x0	0x0
BIT	15	14	13	12	11	10	9	8
NAME	VACT[15:8]							
TYPE	RW							
RESET	0x04							
BIT	7	6	5	4	3	2	1	0
NAME	VACT[7:0]							
TYPE	RW							
RESET	0x38							

Table 8-5: RGB Interface Control Register 5 Description

Name	Description	Setting
Reserved Bit 31-16	Reserved	Not Applicable
VACT Bit 15-0	VACT – Vertical Active Period These bits specify the vertical active period in terms of Hsync pulses.	Per Application Condition

8.1.6 RGB Interface Control Register 6

Offset Address

RICR6 **RGB Interface Control Register 6** **0xB6**

BIT	31	30	29	28	27	26	25	24
NAME	VSD							
TYPE	RW							
RESET	0x00							
BIT	23	22	21	20	19	18	17	16
NAME	HSD							
TYPE	RW							
RESET	0x02							
BIT	15	14	13	12	11	10	9	8
NAME	VS_P	HS_P	PCLK_P	SDR	RGB_PACK_SEQ		VPF_EXT	CBM
TYPE	RW	RW	RW	RW	RW		RW	RW
RESET	0x0	0x0	0x0	0x1	0x0		0x0	0x0
BIT	7	6	5	4	3	2	1	0
NAME	NVB	NVD	BLLP	VCS	VM		VPF	
TYPE	RW	RW	RW	RW	RW		RW	
RESET	0x0	0x0	0x1	0x0	0x1		0x0	

Table 8-6: RGB Interface Control Register 6 Description

Name	Description	Setting
VSD Bit 31-24	VSD – Vertical Sync Delay These bits control the internal pipeline delay of the Vsync input.	Per Application Condition
HSD Bit 23-16	HSD – Horizontal Sync Delay These bits control the internal pipeline delay of the Hsync input.	Per Application Condition
VS_P Bit 15	VS_P – Vertical Sync Polarity This bit control the polarity of the Vsync pulse input.	0 – Vsync Pulse is active low 1 – Vsync Pulse is active high
HS_P Bit 14	HS_P – Horizontal Sync Polarity This bit control the polarity of the Hsync pulse input.	0 – Hsync Pulse is active low 1 – Hsync Pulse is active high
PCLK_P Bit 13	PCLK_P – Pixel Clock Polarity This bit control the polarity of the PCLK input. This bit is valid when SDR is 1.	0 – Data is launch at falling edge, SSD2829 latch data at rising edge 1 – Data is launch at rising edge, SSD2829 latch data at falling edge
SDR Bit 12	SDR - Single Data Rate This bit control whether the RGB input is single data rate or dual data rate.	0 – Data is launch at both rising and falling edge 1 – Data is launch at either rising or falling edge, depends on the PCLK_P bit

Name	Description	Setting
RGB_PACK_SEQ Bit 11-10	RGB_PACK_SEQ - RGB Packing Sequence This is applicable for 1 RGB to 2 DSI_TX output(1 to 2) configurations.	<u>For RGB input and 2 DSI_TX output(1 to 2)</u> 0 - Odd/Even split. RGB lower order pixel = pixel[0] on DSI_TX0, RGB higher order pixel = pixel[1] on DSI_TX1. 1 - Left/Right split. pixel[0] to pixel[n/2-1] on DSI_TX0, pixel[n/2] to pixel[n-1] on DSI_TX1. 2 - Broadcast split. DSI_TX0 is duplicated to DSI_TX1. 3 - Reserved
VPF_EXT Bit 9	VPF_EXT - Video Pixel Format Extension This bit is used in conjunction with the VPF[1:0] bits to define the output pixel format.	[VPF_EXT, VPF] 000 - 16-bit 001 - 18-bit 010 - 18-bit loosely 011 - 24-bit 100 - Reserved 111 - Compressed pixel
CBM Bit 8	CBM – Compress Burst Mode Control If the video mode is burst(VM=0x2) and this bit is 1, MIPITX will send video packet in compressed burst mode (i.e. no blanking packet after horizontal sync packet)	0 – Video with blanking packet. 1 – Video with no blanking packet
NVB Bit 7	NVB – Non Video Data Burst Mode Control This bit specifies how non video data will be interleaved with video data transmission in burst mode.	0 - Non video data will be transmitted during any BLLP period 1 - Non video data will only be transmitted during vertical blanking period
NVD Bit 6	NVD – Non Video Data Transmission Control This bit specifies how non video data will be interleaved with video data transmission. The SSD2829 will send non video data (written from the SPI interface) during the vertical blanking period (non burst mode) or any BLLP period in burst mode (depends on NVB setting). The data can be sent either in high speed mode or low power mode. This bit selects which mode to use. If LP mode is selected, the data lane will enter LP mode for BLLP period, even if there is no non-video data to send. Please note that sending data in LP mode is much slower than HS mode. It is the responsibility of the host processor to make sure that the duration is long enough to finish the data transfer and the timing of Hsync and Vsync is not affected.	0 – Non video data will be transmitted using HS mode 1 – Non video data will be transmitted using LP mode
BLLP Bit 5	BLLP – Blanking and Low Power Control This bit specifies the SSD2829 operation during BLLP period. This bit takes effect only for non burst mode and NVD being 0.	0 – Blanking packet will be sent during BLLP period 1 – LP mode will be used during BLLP period

Name	Description	Setting
	<p>When the video mode is burst mode, the SSD2829 will not send any blanking packet during BLLP. It will enter LP mode.</p> <p>When NVD is 1 in non burst mode, the SSD2829 will stay in LP mode after sending the non video data (if there is any), until the BLLP period ends.</p> <p>When NVD is 0 in non burst mode, the SSD2829 will use this bit to decide whether to send blanking packet or enter LP mode after sending non video data (if there is any), until the BLLP period ends.</p> <p>Please note that entering and exiting from LP mode needs more time, as the speed of LP mode is slow. It is the responsibility of the host processor to make sure that the period is long enough to finish the data transfer and the timing of Hsync and Vsync is not affected.</p>	
VCS Bit 4	<p>VCS – Video Clock Suspend</p> <p>This bit specifies how non video data will be interleaved with video data transmission in burst mode.</p> <p>This bit specifies the clock lane behavior</p>	<p>0 – During burst mode, the clock lane remains in HS mode, when there is no data to transmit. During non burst mode, the clock lane will remain in HS mode all the time.</p> <p>1 – During burst mode, the clock lane enters LP mode when there is no data to transmit. During non burst mode, the clock lane enters LP mode during vertical blanking period.</p>
VM Bit 3-2	<p>VM – Video Mode</p> <p>These bits specify the video mode when RGB interface is selected.</p>	<p>00 – Non burst mode with sync pulses</p> <p>01 – Non burst mode with sync events</p> <p>10 – Burst mode</p> <p>11 – Reserved</p>
VPF Bit 1-0	<p>VPF – Video Pixel Format</p> <p>This bit is used in conjunction with the VPF_EXT bit to define the output pixel format.</p>	<p>[VPF_EXT, VPF]</p> <p>000 - 16-bit</p> <p>001 - 18-bit</p> <p>010 - 18-bit loosely</p> <p>011 - 24-bit</p> <p>100 - Reserved</p> <p>111 - Compressed pixel</p>

Table 8-7: RGB data arrangement

	D23	D22	D21	D20	D19	D18	D17	D16	D15	D14	D13	D12	D11	D10	D9	D8	D7	D6	D5	D4	D3	D2	D1	D0
24bpp	R7	R6	R5	R4	R3	R2	R1	R0	G7	G6	G5	G4	G3	G2	G1	G0	B7	B6	B5	B4	B3	B2	B1	B0
18bpp	X	X	X	X	X	X	R5	R4	R3	R2	R1	R0	G5	G4	G3	G2	G1	G0	B5	B4	B3	B2	B1	B0
16bpp	X	X	X	X	X	X	X	X	R4	R3	R2	R1	R0	G5	G4	G3	G2	G1	G0	B4	B3	B2	B1	B0

8.1.7 Configuration Register

Offset Address

CFR Configuration Register **0xB7**

BIT	31	30	29	28	27	26	25	24
NAME								
TYPE	RO	RO	RO	RO	RO	RO	RO	RO
RESET	0x0	0x0	0x0	0x0	0x0	0x0	0x0	0x0
BIT	23	22	21	20	19	18	17	16
NAME								
TYPE	RO	RO	RO	RO	RO	RO	RO	RO
RESET	0x0	0x0	0x0	0x0	0x0	0x0	0x0	0x0
BIT	15	14	13	12	11	10	9	8
NAME		VEN_CTR	SCR_EN	OTHER_CMD	TXD	LPE	EOT	ECD
TYPE	RO	RW	RW	RW	RW	RW	RW	RW
RESET	0x0	0x0	0x0	0x0	0x0	0x0	0x1	0x1
BIT	7	6	5	4	3	2	1	0
NAME	REN	DCS	CSS	HCLK	VEN	SLP	CKE	HS
TYPE	RW	RW	RW	RW	RW	RW	RW	RW
RESET	0x0	0x0	0x0	0x0	0x0	0x0	0x0	0x0

Table 8-8: Configuration Register Description

Name	Description	Setting
Reserved Bit 31-15	Reserved	Not Applicable
VEN_CTR Bit 14	VEN_CTR – Video Enable Control This bit specifies whether the SSD2829 will extend the internal video enable bit until frame boundary.	0 – Internal video enable follows the VEN bit 1 – Internal video enable extends until the frame boundary
SCR_EN Bit 13	SCR_EN – Scrambler Mode Enable This bit specifies whether the SSD2829 will send the long packets with scrambled data. SSD2829 will send the Scrambling Mode Packet prior to the Long packet.	0 – Scrambling is disable 1 – Scrambling is enable
OTHER_CMD Bit 12	OTHER_CMD – Other Command This bit defines how DCS, Generic, PPS or Compression Mode packet is sent.	0 – DCS bit defines DCS or Generic command. 1 – DCS bit defines PPS or Compression mode packet.
TXD Bit 11	TXD – Transmit Disable This bit specifies whether the SSD2829 will disable the sending of MIPI Packets stored in the buffers. Software can enable TXD, fill out the buffers and then disable it to send all packets out in 1 burst.	0 – Transmit on 1 – Transmit halt
LPE	LPE – Long Packet Enable	0 – Short Packet

Name	Description	Setting
Bit 10	<p>This bit specifies whether the SSD2829 will send out a Generic Long Write Packet or Generic Short Write Packet when the payload is no more than 2 bytes.</p> <p>It also specifies whether the SSD2829 will send out a DCS Long Write Packet or DCS Short Write Packet when the payload is no more than 1 byte.</p>	1 – Long Packet
EOT Bit 9	<p>EOT – EOT Packet Enable</p> <p>This bit specifies whether the SSD2829 will send out the EOT packet at the end of HS transmission or not.</p>	0 – Do not send 1 – Send
ECD Bit 8	<p>ECD – ECC CRC Check Disable</p> <p>This bit specifies whether SSD2829 will perform ECC and CRC checking for the packets received from the MIPI slave.</p>	0 – Enable 1 – Disable
REN Bit 7	<p>REN – Read Enable</p> <p>This bit specifies whether the next operation is a write or read operation.</p>	0 – Write operation 1 – Read operation
DCS Bit 6	<p>DCS – DCS or Generic</p> <p>This bit specifies whether the packet to be sent is DCS packet or generic packet. This bit applies for both write and read operation. When OTHER_CMD bit is set, this bit specifies whether the packet to be sent is PPS or Compress Mode packet.</p>	<p>When OTHER_CMD is 0,</p> <p>0 – Generic packet (The packet can be any one of Generic Long Write, Generic Short Write, Generic Read packet, depending on the configuration.) 1 – DCS packet (The packet can be any one of DCS Long Write, DCS Short Write, DCS Read packet, depending on the configuration.)</p> <p>When OTHER_CMD is 1,</p> <p>0 – Picture Parameter Setting Packet 1 – Compress Mode Packet</p>
CSS Bit 5	<p>CSS – Clock Source Select</p> <p>This bit selects the clock source for the PLL. The CSS setting should be programmed only when PEN is 0. It has no effect when PEN is 1.</p>	0 – The clock source is XTAL_IN 1 – The clock source is pclk
HCLK Bit 4	<p>HCLK – High Speed Clock Disable</p> <p>This bit controls the clock lane behavior during the reverse direction communication. This bit takes effect only when CKE is 0 and VEN is 0.</p>	0 – HS clock is enabled 1 – HS clock is disabled
VEN Bit 3	VEN – Video Mode Enable	0 – Video mode is disabled 1 – Video mode is enabled

Name	Description	Setting
	This bit controls the video mode operation. Only after this bit is set to 1, video mode is enabled.	
SLP Bit 2	SLP – Sleep Mode Enable This bit controls the sleep mode operation. When this bit is set to 1, the HS bit will be cleared to 0 automatically.	0 – Sleep mode is disabled 1 – Sleep mode is enabled Only the register interface is active
CKE Bit 1	CKE – Clock Lane Enable This bit controls the clock lane mode when data lane enters LP mode.	0 – Clock lane will enter LP mode, if it is not in reverse direction communication. Clock lane will follow the setting of HCLK, if it is in reverse direction communication. 1 – Clock lane will enter HS mode for all the cases
HS Bit 0	HS – High Speed Mode This bit controls whether the SSD2829 is using HS or LP mode to send data. This bit can be affected by the SLP bit value.	0 – LP mode 1 – HS mode

8.1.8 Virtual Channel Control Register

Offset Address

VCCR Virtual Channel Control Register 0xB8

BIT	31	30	29	28	27	26	25	24
NAME								
TYPE	RO	RO	RO	RO	RO	RO	RO	RO
RESET	0x0	0x0	0x0	0x0	0x0	0x0	0x0	0x0
BIT	23	22	21	20	19	18	17	16
NAME								
TYPE	RO	RO	RO	RO	RO	RO	RO	RO
RESET	0x0	0x0	0x0	0x0	0x0	0x0	0x0	0x0
BIT	15	14	13	12	11	10	9	8
NAME								
TYPE	RO	RO	RO	RO	RO	RO	RO	RO
RESET	0x0	0x0	0x0	0x0	0x0	0x0	0x0	0x0
BIT	7	6	5	4	3	2	1	0
NAME	VCM		VCE		VC2		VC1	
TYPE	RW		RW		RW		RW	
RESET	0x1		0x0		0x1		0x1	

Table 8-9: Virtual Channel Control Register Description

Name	Description	Setting
Reserved Bit 31-8	Reserved	Not Applicable
VCM Bit 7-6	VCM – Virtual Channel ID for Maximum Return Size Packet These bits specify the VC ID for the Maximum Return Size Packet sent by SSD2829. This register field is included as the VC ID for this packet might be different from the VC ID for the packets carrying the actual data.	Per Application Condition
VCE Bit 5-4	VCE – Virtual Channel ID for EOT Packet These bits specify the VC ID for the EOT Packet sent by SSD2829. This register field is included as the VC ID for this packet might be different from the VC ID for the packets carrying the actual data.	Per Application Condition
VC2 Bit 3-2	VC2 – Virtual Channel ID for SPI Interface These bits specify the VC ID for the packets written in through the SPI interface, when the interface setting is RGB + SPI(if_sel[0] = 0).	Per Application Condition
VC1 Bit 1-0	VC1 – Virtual Channel ID for RGB and MCU Interface These bits specify the VC ID for the packets written in through the RGB	Per Application Condition

Name	Description	Setting
	interface, when the interface is RGB + SPI(if_sel[0] = 0). These bits specify the VC ID for the packets written in through the MCU interface, when the interface setting is MCU(if_sel[0] = 1).	

8.1.9 PLL Control Register

Offset Address

PCR

PLL Control Register

0xB9

BIT	31	30	29	28	27	26	25	24
NAME								
TYPE	RO	RO	RO	RO	RO	RO	RO	RO
RESET	0x0	0x0	0x0	0x0	0x0	0x0	0x0	0x0
BIT	23	22	21	20	19	18	17	16
NAME								
TYPE	RO	RO	RO	RO	RO	RO	RO	RO
RESET	0x0	0x0	0x0	0x0	0x0	0x0	0x0	0x0
BIT	15	14	13	12	11	10	9	8
NAME								
TYPE	RO	RO	RO	RO	RO	RO	RO	RO
RESET	0x0	0x0	0x0	0x0	0x0	0x0	0x0	0x0
BIT	7	6	5	4	3	2	1	0
NAME								PEN
TYPE	RO	RO	RO	RO	RO	RO	RO	RW
RESET	0x0	0x0	0x0	0x0	0x0	0x0	0x0	0x0

Table 8-10: PLL Control Register Description

Name	Description	Setting
Reserved Bit 31-1	Reserved	Not Applicable
PEN Bit 0	PEN – PLL Enable This bit controls the PLL operation.	0 – PLL power down 1 – PLL enable

Note: Frequency of PLL can only be changed during PEN=0

8.1.10 PLL Configuration Register

Offset Address

PCFR	PLL Configuration Register								0xBA
BIT	31	30	29	28	27	26	25	24	
NAME									
TYPE	RO	RO	RO	RO	RO	RO	RO	RO	
RESET	0x0	0x0	0x0	0x0	0x0	0x0	0x0	0x0	
BIT	23	22	21	20	19	18	17	16	
NAME									
TYPE	RO	RO	RO	RO	RO	RO	RO	RO	
RESET	0x0	0x0	0x0	0x0	0x0	0x0	0x0	0x0	
BIT	15	14	13	12	11	10	9	8	
NAME	FR		PLL_TEST	MS					
TYPE	RW		RW	RW					
RESET	0x3		0x0	0x01					
BIT	7	6	5	4	3	2	1	0	
NAME	NS								
TYPE	RW								
RESET	0x20								

Table 8-11: PLL Configuration Register Description

Name	Description	Setting
Reserved Bit 31-16	Reserved	Not Applicable
FR Bit 15-14	PEN – Frequency Range These bits select the range of the output clock.	00 – 62.5 to 125 01 – 126 to 250 10 – 251 to 500 11 – 501 to 1250
PLL_TEST Bit 13	PLL_TEST – PLL Test Mode This bit set the TEST_MODE pin of the PLL. It should be set to 0 in normal mode.	Not Applicable
MS Bit 12-8	MS – PLL Divider These bits specify the PLL pre-divider value, MS .	0x00 - Reserved 0x01 - MS=1 0x02 - MS=2 ... 0x1F - MS=31
NS Bit 7-0	NS – PLL Multiplier These bits specify the PLL output frequency multiplier value, NS .	0x00 - NS=1 0x01 - NS=1 0x02 - NS=2 ... 0xFF - NS=255

e.g. XTAL_IN = 20MHz, 0xBAh = 0xC132h

PLL = 50 x 20 / 1 = 1Gbps

8.1.11 Clock Control Register

Offset Address

CCR

Clock Control Register

0xBB

BIT	31	30	29	28	27	26	25	24
NAME				BYP_BIT_DIV				
TYPE	RO	RO	RO	RW			RW	
RESET	0x0	0x0	0x0	0x1			0x6	
BIT	23	22	21	20	19	18	17	16
NAME								
TYPE								RW
RESET								0x07
BIT	15	14	13	12	11	10	9	8
NAME								
TYPE	RO	RO	RO	RO	RO	RO	RO	RO
RESET	0x0	0x0	0x0	0x0	0x0	0x0	0x0	0x0
BIT	7	6	5	4	3	2	1	0
NAME								TX_LPD
TYPE								RW
RESET								0x03

Table 8-12: Clock Control Register Description

Name	Description	Setting
Reserved Bit 31-29	Reserved	Not Applicable
Reserved Bit 28	Reserved	Not Applicable
Reserved Bit 27-24	Reserved	Not Applicable
Reserved Bit 23-16	Reserved	Not Applicable
Reserved Bit 15-8	Reserved	Not Applicable
TX_LPD Bit 7-0	TX_LPD – LP Clock Divider for MIPITX These bits give the divider value for generating the LP mode clock from the system clock.	0x0 – Divide by 1 0x1 – Divide by 2 0x2 – Divide by 3 ... 0x3F – Divide by 64

Remark: e.g. LPD = 0x9

PLL = 1Gbps

LP clock = 1Gbps / (LPD+1) / 8 = 1000 / 10 / 8 = 12.5MHz

8.1.12 Packet Size Control Register 1

Offset Address

PSCR1 Packet Size Control Register 1 **0xBC**

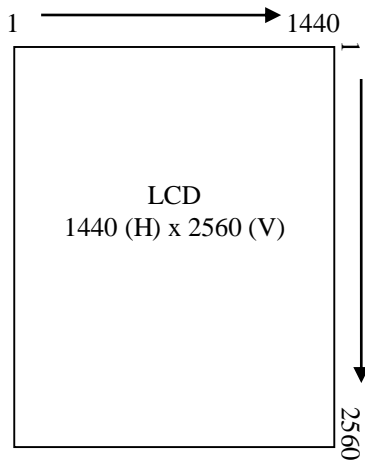
BIT	31	30	29	28	27	26	25	24
NAME								
TYPE	RO	RO	RO	RO	RO	RO	RO	RO
RESET	0x0	0x0	0x0	0x0	0x0	0x0	0x0	0x0
BIT	23	22	21	20	19	18	17	16
NAME								
TYPE	RO	RO	RO	RO	RO	RO	RO	RO
RESET	0x0	0x0	0x0	0x0	0x0	0x0	0x0	0x0
BIT	15	14	13	12	11	10	9	8
NAME	TDC_L[15:8]							
TYPE	RW							
RESET	0x00							
BIT	7	6	5	4	3	2	1	0
NAME	TDC_L[7:0]							
TYPE	RW							
RESET	0x00							

Table 8-13: Packet Size Register 1 Description

Name	Description	Setting
Reserved Bit 31-16	Reserved	Not Applicable
TDC_L Bit 15-0	<p>TDC_L – Transmit Data Count Low</p> <p>These bits, together with TDC_H, forms the 32 bit value for TDC.</p> <p>TDC set the total number of data bytes to be transmitted by the SSD2829 in the next operation. The SSD2829 will use the value in this field to decide what type of packet to send out.</p> <p>The settings of TDC and PST will configure the transfer mode into partition and non-partition mode when the command is 0x2C or 0x3C.</p> <p>Partition mode(TDC > PST) - For DCS Long Write packet with DCS command being 0x2C or 0x3C, there is no limit in the maximum number of bytes to be transmitted in 1 write. The PST value can be set to maximum of 8191 bytes. The SSD2829 will auto insert 0x3C command at these boundaries. This is valid in RGB+SPI mode.</p>	Per Application Condition

Name	Description	Setting
	Non-Partition mode(TDC <= PST) For DCS Long Write packet with DCS command being 0x2C or 0x3C, the maximum number of bytes to be transmitted in 1 write is 10560 bytes for MIPITX0 and 8544 bytes for MIPITX1. In this mode, the PST value is the same or greater than the TDC value.	

e.g.



Total transmitted data per frame = 1440 x 2560 x 3 = 11,059,200 (= 0xA8C000h)

1 line data = 1440 x 3 = 4,320 (= 0x10E0h)

- 0xBC = 0xC000 //1 frame RAM (lower 16bit)
- 0xBD = 0x00A8 //1 frame RAM (higher 16bit)
- 0xBE = 0x10E0 //1 line RAM

8.1.13 Packet Size Control Register 2

Offset Address

PSCR2

Packet Size Control Register 2

0xBD

BIT	31	30	29	28	27	26	25	24
NAME								
TYPE	RO	RO	RO	RO	RO	RO	RO	RO
RESET	0x0	0x0	0x0	0x0	0x0	0x0	0x0	0x0
BIT	23	22	21	20	19	18	17	16
NAME								
TYPE	RO	RO	RO	RO	RO	RO	RO	RO
RESET	0x0	0x0	0x0	0x0	0x0	0x0	0x0	0x0
BIT	15	14	13	12	11	10	9	8
NAME	TDC_H[15:8]							
TYPE	RW							
RESET	0x00							
BIT	7	6	5	4	3	2	1	0
NAME	TDC_H[7:0]							
TYPE	RW							
RESET	0x00							

Table 8-14: Packet Size Register 2 Description

Name	Description	Setting
Reserved Bit 31-16	Reserved	Not Applicable
TDC_H Bit 15-0	TDC_H – Transmit Data Count High Please see TDC_L for description.	Per Application Condition

8.1.14 Packet Size Control Register 3

Offset Address

PSCR3

Packet Size Control Register 3

0xBE

BIT	31	30	29	28	27	26	25	24
NAME								
TYPE	RO	RO	RO	RO	RO	RO	RO	RO
RESET	0x0	0x0	0x0	0x0	0x0	0x0	0x0	0x0
BIT	23	22	21	20	19	18	17	16
NAME								
TYPE	RO	RO	RO	RO	RO	RO	RO	RO
RESET	0x0	0x0	0x0	0x0	0x0	0x0	0x0	0x0
BIT	15	14	13	12	11	10	9	8
NAME				PST[12:8]				
TYPE	RO	RO	RO	RW				
RESET	0x0	0x0	0x0	0x1F				
BIT	7	6	5	4	3	2	1	0
NAME	PST[7:0]							
TYPE	RW							
RESET	0xFF							

Table 8-15: Packet Size Register 3 Description

Name	Description	Setting
Reserved Bit 31-13	Reserved	Not Applicable
PST Bit 12-0	<p>PST – Packet Size Threshold</p> <p>These bits give the threshold value for partitioning the incoming long packet data into smaller packets. The partitioning only applies to the DCS Long Write packet with DCS command being 0x2C or 0x3C in Command mode(if_sel[1:0]=01). The payload will be partitioned into multiple packets. The PST represents the threshold in term of bytes.</p>	Per Application Condition

8.1.15 Packet Drop Register

Offset Address

PDR

Packet Drop Register

0xBF

BIT	31	30	29	28	27	26	25	24
NAME								
TYPE	RO	RO	RO	RO	RO	RO	RO	RO
RESET	0x0	0x0	0x0	0x0	0x0	0x0	0x0	0x0
BIT	23	22	21	20	19	18	17	16
NAME								
TYPE	RO	RO	RO	RO	RO	RO	RO	RO
RESET	0x0	0x0	0x0	0x0	0x0	0x0	0x0	0x0
BIT	15	14	13	12	11	10	9	8
NAME	PD[15:8]							
TYPE	RW							
RESET	0x00							
BIT	7	6	5	4	3	2	1	0
NAME	PD[7:0]							
TYPE	RW							
RESET	0x00							

Table 8-16: Packet Drop Register Description

Name	Description	Setting
Reserved Bit 31-16	Reserved	Not Applicable
PD Bit 15-0	<p>PD – Packet Drop</p> <p>This register is not a true register. It is the entry point for the internal buffer. The payload of the generic packets (Generic Short Write, Generic Long Write, Generic Read, DCS Short Write, DCS Long Write, DCS Read, PPS Long Write, Compress Mode Write).</p> <p>The application processor can treat this register as an FIFO and continuously write data into it.</p> <p>Since the register is only the entry point of the internal buffer, the application processor is not able to read the data written into the buffer.</p>	Per Application Condition

8.1.16 Operational Control Register

Offset Address

OCR	Operational Control Register								0xC0
BIT	31	30	29	28	27	26	25	24	
NAME									
TYPE	RO	RO	RO	RO	RO	RO	RO	RO	
RESET	0x0	0x0	0x0	0x0	0x0	0x0	0x0	0x0	
BIT	23	22	21	20	19	18	17	16	
NAME									
TYPE	RO	RO	RO	RO	RO	RO	RO	RO	
RESET	0x0	0x0	0x0	0x0	0x0	0x0	0x0	0x0	
BIT	15	14	13	12	11	10	9	8	
NAME								SWR	
TYPE	RO	RO	RO	RO	RO	RO	RO	RW	
RESET	0x0	0x0	0x0	0x0	0x0	0x0	0x0	0x0	
BIT	7	6	5	4	3	2	1	0	
NAME								COP	
TYPE	RO	RO	RO	RO	RO	RO	RO	RW	
RESET	0x0	0x0	0x0	0x0	0x0	0x0	0x0	0x0	

Table 8-17: Operational Control Register Description

Name	Description	Setting
Reserved Bit 31-9	Reserved	Not Applicable
SWR Bit 8	SWR - Software Reset Writing a '1' to this bit will reset the entire module. This bit will be cleared after the reset is completed. Writing a '1' to this bit will cause the MIPI link enters TX stop state immediately and any outgoing MIPI packet will be terminated immediately.	Per Application Condition
Reserved Bit 7-1	Reserved	Not Applicable
COP Bit 0	COP – Cancel Operation This bit is to cancel the current operation. When this bit is set to 1, the SSD2829 will still finish transmitting the current packet. (Otherwise, the serial link operation will lose sync.) Afterwards, the SSD2829 will stop any further transmission. It will clear its internal buffer such that all the data being written in and not sent out yet will be cleared. It will also bring the state machine to its initial state. Once this process is finished, the COP bit will be automatically set to 0. At the same time, the PO bit of the status register will be	Per Application Condition

Name	Description	Setting
	set to 1 too. At this stage, there is no data in the internal buffer. The application processor can start a new operation. This operation is not valid in video mode(VEN=1).	

8.1.17 Maximum Return Size Register

Offset Address

MRSR **Maximum Return Size Register** **0xC1**

BIT	31	30	29	28	27	26	25	24
NAME								
TYPE	RO	RO	RO	RO	RO	RO	RO	RO
RESET	0x0	0x0	0x0	0x0	0x0	0x0	0x0	0x0
BIT	23	22	21	20	19	18	17	16
NAME								
TYPE	RO	RO	RO	RO	RO	RO	RO	RO
RESET	0x0	0x0	0x0	0x0	0x0	0x0	0x0	0x0
BIT	15	14	13	12	11	10	9	8
NAME	MRS[15:8]							
TYPE	RW							
RESET	0x00							
BIT	7	6	5	4	3	2	1	0
NAME	MRS[7:0]							
TYPE	RW							
RESET	0x01							

Table 8-18: Maximum Return Size Register Description

Name	Description	Setting
Reserved Bit 31-16	Reserved	Not Applicable
MRS Bit 15-0	<p>MRS – Maximum Return Size</p> <p>These bits set the maximum return size of the read response packet returned by the MIPI slave. The SSD2829 will automatically send out the Set Maximum Return Size packet using the value in this field, before every read operation. It informs the MIPI slave about the limit of the SSD2829. The application processor does not need to program the register before every read operation, if the maximum return size does not change. The Set Maximum Return Size packet will always be sent.</p>	Per Application Condition

8.1.20 Line Control Register

Offset Address

LCR

Line Control Register

0xC4

BIT	31	30	29	28	27	26	25	24
NAME								
TYPE	RO	RO	RO	RO	RO	RO	RO	RO
RESET	0x0	0x0	0x0	0x0	0x0	0x0	0x0	0x0
BIT	23	22	21	20	19	18	17	16
NAME				RT1	RTB1	FBC1	FBT1	FBW1
TYPE	RO	RO	RO	RWAC	RWAC	RWAC	RW	RW
RESET	0x0	0x0	0x0	0x0	0x0	0x0	0x0	0x0
BIT	15	14	13	12	11	10	9	8
NAME								
TYPE	RO	RO	RO	RO	RO	RO	RO	RO
RESET	0x0	0x0	0x0	0x0	0x0	0x0	0x0	0x0
BIT	7	6	5	4	3	2	1	0
NAME				RT0	RTB0	FBC0	FBT0	FBW0
TYPE	RO	RO	RO	RWAC	RWAC	RWAC	RW	RW
RESET	0x0	0x0	0x0	0x0	0x0	0x0	0x0	0x0

Table 8-21: Line Control Register Description

Name	Description	Setting
Reserved Bit 31-21	Reserved	Not Applicable
RT1 Bit 20	RT1 – Reset Trigger for MIPITX1 This bit is to send a Reset Trigger Message. When this bit is set to 1, the SSD2829 will send a Reset Trigger Message. It is recommended to enter LP mode and send this trigger message. If this bit is programmed during vertical active data is being sent on MIPI link, the reset trigger will be delayed to next vertical blanking period so that the reset trigger message will not disturb the video timing on the MIPI link. Once the Reset Trigger Message is sent out, RT1 bit will be automatically set to 0.	0 – Do not send 1 – Send Reset Trigger
RTB1 Bit 19	RTB1 – Register Triggered BTA for MIPITX1 This bit automatically perform Bus Turnaround(BTA) when link is not used. When bus is returned back from the slave, the link will remains in Low Power state until a new request come in where HS bit determination the transfer mode.	0 – Do not send 1 – Send BTA
FBC1 Bit 19	FBC1 – Force Bus Contention for MIPITX1 This bit controls whether to force a bus contention on the	0 – Do not force 1 – Force Bus Contention

Name	Description	Setting
	data lane. This bit will be changed to 0, after the bus contention is not detected.	
FBT1 Bit 18	FBT1 – Force Bus Turnaround Tearing for MIPITX1 This bit controls whether to perform automatic BTA after previous BTA so as to get the TE response from MIPI slave.	0 – Do not force 1 – Force BTA for Tearing
FBW1 Bit 17	FBW1 – Force Bus Turnaround after write for MIPITX1 This bit controls whether to automatically generate a BTA after a write operation. It is only valid for write operation. After performing BTA, the bus authority has been passed to the MIPI slave. The SSD2829 is not able to send any data to the MIPI slave before the bus authority is passed back. It is the responsibility of the application processor to check the status of the bus before sending any data.	0 – Do not force 1 – Force BTA after write
Reserved Bit 16-5	Reserved	Not Applicable
RT0 Bit 4	RT0 – Reset Trigger for MIPITX0 This bit is to send a Reset Trigger Message. When this bit is set to 1, the SSD2829 will send a Reset Trigger Message. It is recommended to enter LP mode and send this trigger message. If this bit is programmed during vertical active data is being sent on MIPI link, the reset trigger will be delayed to next vertical blanking period so that the reset trigger message will not disturb the video timing on the MIPI link. Once the Reset Trigger Message is sent out, RT1 bit will be automatically set to 0.	0 – Do not send 1 – Send Reset Trigger
RTB0 Bit 3	RTB0 – Register Triggered BTA for MIPITX0 This bit automatically perform Bus Turnaround(BTA) when link is not used. When bus is returned back from the slave, the link will remains in Low Power state until a new request come in where HS bit determination the transfer mode.	0 – Do not send 1 – Send BTA
FBC0 Bit 2	FBC0 – Force Bus Contention for MIPITX0 This bit controls whether to force a bus contention on the data lane. This bit will be changed to 0, after the bus contention is not detected.	0 – Do not force 1 – Force Bus Contention
FBT0 Bit 1	FBT0 – Force Bus Turnaround Tearing for MIPITX0 This bit controls whether to perform automatic BTA after previous BTA so as to get the TE response from MIPI slave.	0 – Do not force 1 – Force BTA for Tearing

Name	Description	Setting
FBW0 Bit 0	<p>FBW0 – Force Bus Turnaround after write for MIPITX0</p> <p>This bit controls whether to automatically generate a BTA after a write operation. It is only valid for write operation.</p> <p>After performing BTA, the bus authority has been passed to the MIPI slave. The SSD2829 is not able to send any data to the MIPI slave before the bus authority is passed back. It is the responsibility of the application processor to check the status of the bus before sending any data.</p>	0 – Do not force 1 – Force BTA after write

8.1.21 Interrupt Control Register

Offset Address

ICR **Interrupt Control Register** **0xC5**

BIT	31	30	29	28	27	26	25	24
NAME	CBEE1	CBAE1					MLEE1	MLAE1
TYPE	RW	RW	RO	RO	RO	RO	RW	RW
RESET	0x0	0x0	0x0	0x0	0x0	0x0	0x0	0x0
BIT	23	22	21	20	19	18	17	16
NAME		LPTOE1	HSTOE1		ARRE1	BTARE1		RDRE1
TYPE	RO	RW	RW	RO	RW	RW	RO	RW
RESET	0x0	0x0	0x0	0x0	0x0	0x0	0x0	0x0
BIT	15	14	13	12	11	10	9	8
NAME	CBEE0	CBAE0					MLEE0	MLAE0
TYPE	RW	RW	RO	RO	RO	RO	RW	RW
RESET	0x0	0x0	0x0	0x0	0x0	0x0	0x0	0x0
BIT	7	6	5	4	3	2	1	0
NAME	PLSE	LPTOE0	HSTOE0		ARRE0	BTARE0		RDRE0
TYPE	RW	RW	RW	RO	RW	RW	RO	RW
RESET	0x0	0x0	0x0	0x0	0x0	0x0	0x0	0x0

Table 8-22: Interrupt Control Register Description

Name	Description	Setting
CBEE1 Bit 31	CBEE1 – Command Buffer Empty Enable for MIPITX1 This bit enables the mapping of CBE1 interrupt to the interrupt pin, INT_B.	0 – Do not enable 1 – Enable
CBAE1 Bit 30	CBAE1 – Command Buffer Available Enable for MIPITX1 This bit enables the mapping of CBA1 interrupt to the interrupt pin, INT_B.	0 – Do not enable 1 – Enable
Reserved Bit 29-26	Reserved	Not Applicable
MLEE1 Bit 25	MLEE1 – MCU Long Buffer Empty Enable for MIPITX1 This bit enables the mapping of MLE1 interrupt to the interrupt pin, INT_B.	0 – Do not enable 1 – Enable
MLAE1 Bit 24	MLAE1 – MCU Long Buffer Available Enable for MIPITX1 This bit enables the mapping of MLA1 interrupt to the interrupt pin, INT_B.	0 – Do not enable 1 – Enable
Reserved Bit 23	Reserved	Not Applicable
LPTOE1 Bit 22	LPTOE1 – LP RX Time Out Enable for MIPITX1	0 – Do not enable 1 – Enable

Name	Description	Setting
	This bit enables the mapping of LPTO1 interrupt to the interrupt pin, INT_B.	
HSTOE1 Bit 21	HSTOE1 – HP TX Time Out Enable for MIPITX1 This bit enables the mapping of HSTO1 interrupt to the interrupt pin, INT_B.	0 – Do not enable 1 – Enable
Reserved Bit 20	Reserved	Not Applicable
ARRE1 Bit 19	ARRE1 – ACK Response Ready Enable for MIPITX1 This bit enables the mapping of ARR1 interrupt to the interrupt pin, INT_B.	0 – Do not enable 1 – Enable
BTARE1 Bit 18	BTARE1 – Bus Turnaround Response Enable for MIPITX1 This bit enables the mapping of BTAR1 interrupt to the interrupt pin, INT_B.	0 – Do not enable 1 – Enable
Reserved Bit 17	Reserved	Not Applicable
RDRE1 Bit 16	RDRE1 – Read Data Ready Enable for MIPITX1 This bit enables the mapping of RDR1 interrupt to the interrupt pin, INT_B.	0 – Do not enable 1 – Enable
CBEE0 Bit 15	CBEE0 – Command Buffer Empty Enable for MIPITX0 This bit enables the mapping of CBE0 interrupt to the interrupt pin, INT_B.	0 – Do not enable 1 – Enable
CBAE0 Bit 14	CBAE0 – Command Buffer Available Enable for MIPITX0 This bit enables the mapping of CBA0 interrupt to the interrupt pin, INT_B.	0 – Do not enable 1 – Enable
Reserved Bit 13-10	Reserved	Not Applicable
MLEE0 Bit 9	MLEE0 – MCU Long Buffer Empty Enable for MIPITX0 This bit enables the mapping of MLE0 interrupt to the interrupt pin, INT_B.	0 – Do not enable 1 – Enable
MLAE0 Bit 8	MLAE0 – MCU Long Buffer Available Enable for MIPITX0 This bit enables the mapping of MLA0 interrupt to the interrupt pin, INT_B.	0 – Do not enable 1 – Enable
PLSE Bit 7	PLSE – PLL Lock Status Enable This bit enables the mapping of PLS interrupt to the interrupt pin, INT_B.	0 – Do not enable 1 – Enable
LPTOE0 Bit 6	LPTOE0 – LP RX Time Out Enable for MIPITX0	0 – Do not enable 1 – Enable

Name	Description	Setting
	This bit enables the mapping of LPTO0 interrupt to the interrupt pin, INT_B.	
HSTOE0 Bit 5	HSTOE0 – HP TX Time Out Enable for MIPITX0 This bit enables the mapping of HSTO0 interrupt to the interrupt pin, INT_B.	0 – Do not enable 1 – Enable
Reserved Bit 4	Reserved	Not Applicable
ARRE0 Bit 3	ARRE0 – ACK Response Ready Enable for MIPITX0 This bit enables the mapping of ARR0 interrupt to the interrupt pin, INT_B.	0 – Do not enable 1 – Enable
BTARE0 Bit 2	BTARE0 – Bus Turnaround Response Enable for MIPITX0 This bit enables the mapping of BTAR0 interrupt to the interrupt pin, INT_B.	0 – Do not enable 1 – Enable
Reserved Bit 1	Reserved	Not Applicable
RDRE0 Bit 0	RDRE0 – Read Data Ready Enable for MIPITX0 This bit enables the mapping of RDR0 interrupt to the interrupt pin, INT_B.	0 – Do not enable 1 – Enable

8.1.22 Interrupt Status Register

Offset Address

ISR	Interrupt Status Register								0xC6
BIT	31	30	29	28	27	26	25	24	
NAME	CBE1	CBA1			CLS1	DLS1	MLE1	MLA1	
TYPE	RO	RO	RO	RO	RO	RO	RO	RO	
RESET	0x0	0x0	0x0	0x0	0x0	0x0	0x0	0x0	
BIT	23	22	21	20	19	18	17	16	
NAME		LPTO1	HSTO1	ATR1	ARR1	BTAR1		RDRE1	
TYPE	RO	RESW1C	RESW1C	RESW1C	RESW1C	RESW1C	RO	RO	
RESET	0x0	0x0	0x0	0x0	0x0	0x0	0x0	0x0	
BIT	15	14	13	12	11	10	9	8	
NAME	CBE0	CBA0			CLS0	DLS0	MLE0	MLA0	
TYPE	RO	RO	RO	RO	RO	RO	RO	RO	
RESET	0x0	0x0	0x0	0x0	0x0	0x0	0x0	0x0	
BIT	7	6	5	4	3	2	1	0	
NAME	PLS	LPTO0	HSTO0	ATR0	ARR0	BTAR0		RDR0	
TYPE	RO	RESW1C	RESW1C	RESW1C	RESW1C	RESW1C	RO	RO	
RESET	0x0	0x0	0x0	0x0	0x0	0x0	0x0	0x0	

Table 8-23: Interrupt Status Register Description

Name	Description	Setting
CBE1 Bit 31	CBE1 – Command Buffer Empty for MIPITX1 This bit reflects the status of the internal command buffer of the SPI/MCU interface. If the command buffer is empty, this bit will be set to 1. The application processor can write up to the maximum size of the command buffer.	0 – The command buffer is not empty 1 – The command buffer is empty
CBA1 Bit 30	CBA1 – Command Buffer Available for MIPITX1 This bit reflects the status of the internal command buffer of the SPI/MCU interface. If the command buffer is not full, this bit will be set to 1. The application processor can write at least 1 packet to the command buffer.	0 – The command buffer is not available 1 – The command buffer is available
Reserved Bit 29-28	Reserved	Not Applicable
CLS1 Bit 27	CLS1 – Clock Lane Status for MIPITX1 This bit reflects the status at the MIPI Clock lane in MIPITX1.	0 – Clock lane is not in LP-11 1 – Clock lane is in LP-11
DLS1 Bit 26	DLS1 – Data Lane Status for MIPITX1 This bit reflects the status at the MIPI Clock lane in MIPITX1.	0 – Data lanes are not in LP-11 1 – Data lanes are in LP-11
MLE1 Bit 25	MLE1 – MCU Long Buffer Empty for MIPITX1	0 – The long buffer is not empty 1 – The long buffer is empty

Name	Description	Setting
	This bit reflects the status of the internal long buffer of the MCU interface. If the long buffer is empty, this bit will be set to 1. The application processor can write up to the maximum size of the long buffer for DCS command 0x2C and 0x3C.	
MLA1 Bit 24	MLA1 – MCU Long Buffer Available for MIPITX1 This bit reflects the status of the internal long buffer of the MCU interface. If the long buffer is not full, this bit will be set to 1. The application processor can write at least 1 packet to the long buffer for DCS command 0x2C and 0x3C.	0 – The long buffer is not available 1 – The long buffer is available
Reserved Bit 23	Reserved	Not Applicable
LPTO1 Bit 22	LPTO1 – LP RX Time Out for MIPITX1 This bit reflects the status of the LP RX timer. It will remain as 1 until the application processor writes 1 to clear it.	0 – The LP RX timer has expired 1 – The LP RX timer has not expired
HSTO1 Bit 21	HSTO1 – HP TX Time Out for MIPITX1 This bit reflects the status of the HS TX timer. It will remain as 1 until the application processor writes 1 to clear it.	0 – The HS TX timer has expired 1 – The HS TX timer has not expired
ATR1 Bit 20	ATR1 – ACK Trigger Response for MIPITX1 This bit reflects whether the ACK trigger message has been received or not. It will remain as 1 until the application processor writes 1 to clear it.	0 – ACK trigger message has not been received 1 – ACK trigger message has been received
ARR1 Bit 19	ARR1 – ACK Response Ready for MIPITX1 This bit reflects whether the ACK response has been received or not. The ACK response can be an ACK trigger message or ACK with Error Report packet. It will remain as 1 until the application processor writes 1 to clear it.	0 – Response has not been received 1 – Response has been received
BTAR1 Bit 18	BTAR1 – Bus Turnaround Response for MIPITX1 This bit reflects the data lane status after SSD2829 has made a BTA. It will remain as 1 until the application processor writes 1 to clear it.	0 – The MIPI slave has not passed the lane authority back 1 – The MIPI slave has passed the lane authority back
Reserved Bit 17	Reserved	Not Applicable
RDR1	RDR1 – Read Data Ready for MIPITX1	0 – Not ready

Name	Description	Setting
Bit 16	<p>This bit reflects whether the data from the MIPI slave is ready for read by the application processor. This bit is valid only during the read operation.</p> <p>This bit will be automatically cleared when all the received data are read out.</p>	1 – Ready
CBE0 Bit 15	<p>CBE0 – Command Buffer Empty for MIPITX0</p> <p>This bit reflects the status of the internal command buffer of the SPI/MCU interface. If the command buffer is empty, this bit will be set to 1. The application processor can write up to the maximum size of the command buffer.</p>	0 – The command buffer is not empty 1 – The command buffer is empty
CBA0 Bit 14	<p>CBA0 – Command Buffer Available for MIPITX0</p> <p>This bit reflects the status of the internal command buffer of the SPI/MCU interface. If the command buffer is not full, this bit will be set to 1. The application processor can write at least 1 packet to the command buffer.</p>	0 – The command buffer is not available 1 – The command buffer is available
Reserved Bit 13-12	Reserved	Not Applicable
CLS0 Bit 11	<p>CLS0 – Clock Lane Status for MIPITX0</p> <p>This bit reflects the status at the MIPI Clock lane in MIPITX0.</p>	0 – Clock lane is not in LP-11 1 – Clock lane is in LP-11
DLS0 Bit 10	<p>DLS0 – Data Lane Status for MIPITX0</p> <p>This bit reflects the status at the MIPI Clock lane in MIPITX0.</p>	0 – Data lanes are not in LP-11 1 – Data lanes are in LP-11
MLE0 Bit 9	<p>MLE0 – MCU Long Buffer Empty for MIPITX0</p> <p>This bit reflects the status of the internal long buffer of the MCU interface. If the long buffer is empty, this bit will be set to 1. The application processor can write up to the maximum size of the long buffer for DCS command 0x2C and 0x3C.</p>	0 – The long buffer is not empty 1 – The long buffer is empty
MLA0 Bit 8	<p>MLA0 – MCU Long Buffer Available for MIPITX0</p> <p>This bit reflects the status of the internal long buffer of the MCU interface. If the long buffer is not full, this bit will be set to 1. The application processor can write at least 1 packet to the long buffer for DCS command 0x2C and 0x3C.</p>	0 – The long buffer is not available 1 – The long buffer is available
PLS Bit 7	<p>PLS – PLL Lock Status</p> <p>This bit reflects the status of the PLL. Before the PLL is locked, the whole system is running at the reference clock input of the PLL, as the PLL</p>	0 – PLL is not locked 1 – PLL is locked

Name	Description	Setting
	has no output before getting lock. Hence, the application processor must access the registers using slow speed.	
LPTO0 Bit 6	LPTO0 – LP RX Time Out for MIPITX0 This bit reflects the status of the LP RX timer. It will remain as 1 until the application processor writes 1 to clear it.	0 – The LP RX timer has expired 1 – The LP RX timer has not expired
HSTO0 Bit 5	HSTO0 – HP TX Time Out for MIPITX0 This bit reflects the status of the HS TX timer. It will remain as 1 until the application processor writes 1 to clear it.	0 – The HS TX timer has expired 1 – The HS TX timer has not expired
ATRO Bit 4	ATRO – ACK Trigger Response for MIPITX0 This bit reflects whether the ACK trigger message has been received or not. It will remain as 1 until the application processor writes 1 to clear it.	0 – ACK trigger message has not been received 1 – ACK trigger message has been received
ARR0 Bit 3	ARR0 – ACK Response Ready for MIPITX0 This bit reflects whether the ACK response has been received or not. The ACK response can be an ACK trigger message or ACK with Error Report packet. It will remain as 1 until the application processor writes 1 to clear it.	0 – Response has not been received 1 – Response has been received
BTAR0 Bit 2	BTAR0 – Bus Turnaround Response for MIPITX0 This bit reflects the data lane status after SSD2829 has made a BTA. It will remain as 1 until the application processor writes 1 to clear it.	0 – The MIPI slave has not passed the lane authority back 1 – The MIPI slave has passed the lane authority back
Reserved Bit 1	Reserved	Not Applicable
RDR1 Bit 0	RDR0 – Read Data Ready for MIPITX0 This bit reflects whether the data from the MIPI slave is ready for read by the application processor. This bit is valid only during the read operation. This bit will be automatically cleared when all the received data are read out.	0 – Not ready 1 – Ready

8.1.23 Error Status Register

Offset Address

ESR

Error Status Register

0xC7

BIT	31	30	29	28	27	26	25	24
NAME						CRCE1	ECCE2_1	ECCE1_1
TYPE	RO	RO	RO	RO	RO	RESW1C	RESW1C	RESW1C
RESET	0x0	0x0	0x0	0x0	0x0	0x0	0x0	0x0
BIT	23	22	21	20	19	18	17	16
NAME	CBO1			MLO1		CONT1		VMM1
TYPE	RESW1C	RO	RO	RESW1C	RO	RO	RO	RESW1C
RESET	0x0	0x0	0x0	0x0	0x0	0x0	0x0	0x0
BIT	15	14	13	12	11	10	9	8
NAME						CRCE0	ECCE2_0	ECCE1_0
TYPE	RO	RO	RO	RO	RO	RESW1C	RESW1C	RESW1C
RESET	0x0	0x0	0x0	0x0	0x0	0x0	0x0	0x0
BIT	7	6	5	4	3	2	1	0
NAME	CBO0			MLO0		CONT0		VMM0
TYPE	RESW1C	RO	RO	RESW1C	RO	RO	RO	RESW1C
RESET	0x0	0x0	0x0	0x0	0x0	0x0	0x0	0x0

Table 8-24: Error Status Register Description

Name	Description	Setting
Reserved Bit 31-27	Reserved	Not Applicable
CRCE1 Bit 26	CRCE1 – CRC Error for MIPITX1 This bit reflects the status of CRC checking for the packets received from the MIPI slave. The status is valid only when the ECD bit is set to 0. Once a CRC error occurs, this bit will be set to 1. It will remain as 1 until the application processor writes 1 to clear it.	0 – No CRC error since this bit is cleared 1 – At least 1 CRC error since this bit is cleared
ECCE2_1 Bit 25	ECCE2_1 – ECC Multi Bit Error for MIPITX1 This bit reflects the status of ECC checking for the packets received from the MIPI slave. The status is valid only when the ECD bit is set to 0. Once an ECC multi-bit error occurs, this bit will be set to 1. It will remain as 1 until the application processor writes 1 to clear it.	0 – No ECC multi-bit error since this bit is cleared 1 – At least 1 ECC multi-bit error since this bit is cleared
ECCE1_1 Bit 24	ECCE1_1 – ECC Single Bit Error for MIPITX1 This bit reflects the status of ECC checking for the packets received from the MIPI slave. The status is valid only when the ECD bit is set to 0.	0 – No ECC single bit error since this bit is cleared 1 – At least 1 ECC single bit error since this bit is cleared

Name	Description	Setting
	<p>Once an ECC single-bit error occurs, this bit will be set to 1.</p> <p>It will remain as 1 until the application processor writes 1 to clear it.</p>	
CBO1 Bit 23	<p>CBO1 – Command Buffer Overflow for MIPITX1</p> <p>This bit reflects the status of internal command buffer of the SPI/MCU interface. If the command buffer has overflowed, this bit will be set to 1.</p> <p>It will remain as 1 until the application processor writes 1 to clear it.</p>	0 – Overflow has not occurred 1 – Overflow has occurred
Reserved Bit 22-21	Reserved	Not Applicable
MLO1 Bit 20	<p>MLO1 – MCU Long Buffer Overflow for MIPITX1</p> <p>This bit reflects the status of internal long buffer of the MCU interface. If the long buffer has overflowed, this bit will be set to 1.</p> <p>It will remain as 1 until the application processor writes 1 to clear it.</p>	0 – Overflow has not occurred 1 – Overflow has occurred
Reserved Bit 19	Reserved	Not Applicable
CONT1 Bit 18	<p>CONT1 – Contention Detected for MIPITX1</p> <p>This bit reflects the status of the data lane contention detector.</p>	0 – No contention 1 – Contention has occurred
Reserved Bit 17	Reserved	Not Applicable
VMM1 Bit 16	<p>VMM1 – VC Mis-Match for MIPITX1</p> <p>This bit reflects whether there is a mismatch between the VC ID transmitted by the SSD2829 and the VC ID received from the MIPI slave.</p> <p>It will remain as 1 until the application processor writes 1 to clear it.</p>	0 – No mismatch 1 – Mismatch has occurred
Reserved Bit 15-11	Reserved	Not Applicable
CRCE0 Bit 10	<p>CRCE0 – CRC Error for MIPITX0</p> <p>This bit reflects the status of CRC checking for the packets received from the MIPI slave. The status is valid only when the ECD bit is set to 0. Once a CRC error occurs, this bit will be set to 1.</p> <p>It will remain as 1 until the application processor writes 1 to clear it.</p>	0 – No CRC error since this bit is cleared 1 – At least 1 CRC error since this bit is cleared
ECCE2_0 Bit 9	ECCE2_0 – ECC Multi Bit Error for MIPITX0	0 – No ECC multi-bit error since this bit is cleared

Name	Description	Setting
	<p>This bit reflects the status of ECC checking for the packets received from the MIPI slave. The status is valid only when the ECD bit is set to 0. Once an ECC multi-bit error occurs, this bit will be set to 1.</p> <p>It will remain as 1 until the application processor writes 1 to clear it.</p>	<p>1 – At least 1 ECC multi-bit error since this bit is cleared</p>
ECCE1_0 Bit 8	<p>ECCE1_0 – ECC Single Bit Error for MIPITX0</p> <p>This bit reflects the status of ECC checking for the packets received from the MIPI slave. The status is valid only when the ECD bit is set to 0. Once an ECC single-bit error occurs, this bit will be set to 1.</p> <p>It will remain as 1 until the application processor writes 1 to clear it.</p>	<p>0 – No ECC single bit error since this bit is cleared 1 – At least 1 ECC single bit error since this bit is cleared</p>
CBO0 Bit 7	<p>CBO0 – Command Buffer Overflow for MIPITX0</p> <p>This bit reflects the status of internal command buffer of the SPI/MCU interface. If the command buffer has overflowed, this bit will be set to 1.</p> <p>It will remain as 1 until the application processor writes 1 to clear it.</p>	<p>0 – Overflow has not occurred 1 – Overflow has occurred</p>
Reserved Bit 6-5	Reserved	Not Applicable
MLO0 Bit 4	<p>MLO0 – MCU Long Buffer Overflow for MIPITX0</p> <p>This bit reflects the status of internal long buffer of the MCU interface. If the long buffer has overflowed, this bit will be set to 1.</p> <p>It will remain as 1 until the application processor writes 1 to clear it.</p>	<p>0 – Overflow has not occurred 1 – Overflow has occurred</p>
Reserved Bit 3	Reserved	Not Applicable
CONT0 Bit 2	<p>CONT0 – Contention Detected for MIPITX0</p> <p>This bit reflects the status of the data lane contention detector.</p>	<p>0 – No contention 1 – Contention has occurred</p>
Reserved Bit 1	Reserved	Not Applicable
VMM0 Bit 0	<p>VMM0 – VC Mis-Match for MIPITX0</p> <p>This bit reflects whether there is a mismatch between the VC ID transmitted by the SSD2829 and the VC ID received from the MIPI slave.</p> <p>It will remain as 1 until the application processor writes 1 to clear it.</p>	<p>0 – No mismatch 1 – Mismatch has occurred</p>

8.1.24 Compressed Register

Offset Address

CR

Compressed Register

0xC8

BIT	31	30	29	28	27	26	25	24
NAME								
TYPE	RO	RO	RO	RO	RO	RO	RO	RO
RESET	0x0	0x0	0x0	0x0	0x0	0x0	0x0	0x0
BIT	23	22	21	20	19	18	17	16
NAME								
TYPE	RO	RO	RO	RO	RO	RO	RO	RO
RESET	0x0	0x0	0x0	0x0	0x0	0x0	0x0	0x0
BIT	15	14	13	12	11	10	9	8
NAME	VID_COMPRESSED_BYTE_COUNT[15:8]							
TYPE	RW							
RESET	0x00							
BIT	7	6	5	4	3	2	1	0
NAME	VID_COMPRESSED_BYTE_COUNT[7:0]							
TYPE	RW							
RESET	0x00							

Table 8-25: Compressed Register Description

Name	Description	Setting
Reserved Bit 31-16	Reserved	Not Applicable
Reserved Bit 15-0	Reserved	Not Applicable

8.1.25 Delay Adjustment Register 1

Offset Address

DAR1 Delay Adjustment Register 1 **0xC9**

BIT	31	30	29	28	27	26	25	24
NAME								
TYPE	RO	RO	RO	RO	RO	RO	RO	RO
RESET	0x0	0x0	0x0	0x0	0x0	0x0	0x0	0x0
BIT	23	22	21	20	19	18	17	16
NAME								
TYPE	RO	RO	RO	RO	RO	RO	RO	RO
RESET	0x0	0x0	0x0	0x0	0x0	0x0	0x0	0x0
BIT	15	14	13	12	11	10	9	8
NAME	HZD							
TYPE	RW							
RESET	0x14							
BIT	7	6	5	4	3	2	1	0
NAME	HPD							
TYPE	RW							
RESET	0x02							

Table 8-26: Delay Adjustment Register 1 Description

Name	Description	Setting
Reserved Bit 31-16	Reserved	Not Applicable
HZD Bit 15-8	HZD – HS Zero Delay These bits specifies the number of system clock for HS zero delay period THS-ZERO. The minimum value is 1.	Per Application Condition
HPD Bit 7-0	HPD – HS Prepare Delay These bits specifies the number of system clock for HS prepare delay period THS-PREPARE. The minimum value is 1.	Per Application Condition

8.1.26 Delay Adjustment Register 2

Offset Address

DAR2

Delay Adjustment Register 2

0xCA

BIT	31	30	29	28	27	26	25	24
NAME								
TYPE	RO	RO	RO	RO	RO	RO	RO	RO
RESET	0x0	0x0	0x0	0x0	0x0	0x0	0x0	0x0
BIT	23	22	21	20	19	18	17	16
NAME								
TYPE	RO	RO	RO	RO	RO	RO	RO	RO
RESET	0x0	0x0	0x0	0x0	0x0	0x0	0x0	0x0
BIT	15	14	13	12	11	10	9	8
NAME	CZD							
TYPE	RW							
RESET	0x28							
BIT	7	6	5	4	3	2	1	0
NAME	CPD							
TYPE	RW							
RESET	0x03							

Table 8-27: Delay Adjustment Register 2 Description

Name	Description	Setting
Reserved Bit 31-16	Reserved	Not Applicable
CZD Bit 15-8	CZD – Clock Zero Delay These bits specifies the number of system clock for HS zero delay period TCLK-ZERO. The minimum value is 1.	Per Application Condition
CPD Bit 7-0	CPD – Clock Prepare Delay These bits specifies the number of system clock for HS prepare delay period TCLK-PREPARE. The minimum value is 1.	Per Application Condition

8.1.27 Delay Adjustment Register 3

Offset Address

DAR3

Delay Adjustment Register 3

0xCB

BIT	31	30	29	28	27	26	25	24
NAME								
TYPE	RO	RO	RO	RO	RO	RO	RO	RO
RESET	0x0	0x0	0x0	0x0	0x0	0x0	0x0	0x0
BIT	23	22	21	20	19	18	17	16
NAME								
TYPE	RO	RO	RO	RO	RO	RO	RO	RO
RESET	0x0	0x0	0x0	0x0	0x0	0x0	0x0	0x0
BIT	15	14	13	12	11	10	9	8
NAME	CPED							
TYPE	RW							
RESET	0x04							
BIT	7	6	5	4	3	2	1	0
NAME	CPTD							
TYPE	RW							
RESET	0x16							

Table 8-28: Delay Adjustment Register 3 Description

Name	Description	Setting
Reserved Bit 31-16	Reserved	Not Applicable
CPED Bit 15-8	CPED – Clock Pre Delay These bits specifies the number of system clock for CLK pre delay period TCLK-PRE. The minimum value is 1.	Per Application Condition
CPTD Bit 7-0	CPTD – Clock Prepare Delay These bits specifies the number of system clock for CLK post delay period TCLK-POST. The minimum value is 1.	Per Application Condition

8.1.28 Delay Adjustment Register 4

Offset Address

DAR4

Delay Adjustment Register 4

0xCC

BIT	31	30	29	28	27	26	25	24
NAME								
TYPE	RO	RO	RO	RO	RO	RO	RO	RO
RESET	0x0	0x0	0x0	0x0	0x0	0x0	0x0	0x0
BIT	23	22	21	20	19	18	17	16
NAME								
TYPE	RO	RO	RO	RO	RO	RO	RO	RO
RESET	0x0	0x0	0x0	0x0	0x0	0x0	0x0	0x0
BIT	15	14	13	12	11	10	9	8
NAME	CTD							
TYPE	RW							
RESET	0x0A							
BIT	7	6	5	4	3	2	1	0
NAME	HTD							
TYPE	RW							
RESET	0x0A							

Table 8-29: Delay Adjustment Register 4 Description

Name	Description	Setting
Reserved Bit 31-16	Reserved	Not Applicable
CTD Bit 15-8	CTD – Clock Pre Delay These bits specifies the number of system clock for CLK trail delay period TCLK-TRAIL. The minimum value is 1.	Per Application Condition
HTD Bit 7-0	HTD – Clock Prepare Delay These bits specifies the number of system clock for HS trail delay period THS-TRAIL. The minimum value is 1.	Per Application Condition

8.1.29 Delay Adjustment Register 5

Offset Address

DAR5

Delay Adjustment Register 5

0xCD

BIT	31	30	29	28	27	26	25	24
NAME								
TYPE	RO	RO	RO	RO	RO	RO	RO	RO
RESET	0x0	0x0	0x0	0x0	0x0	0x0	0x0	0x0
BIT	23	22	21	20	19	18	17	16
NAME								
TYPE	RO	RO	RO	RO	RO	RO	RO	RO
RESET	0x0	0x0	0x0	0x0	0x0	0x0	0x0	0x0
BIT	15	14	13	12	11	10	9	8
NAME	WUD[15:8]							
TYPE	RW							
RESET	0x10							
BIT	7	6	5	4	3	2	1	0
NAME	WUD[7:0]							
TYPE	RW							
RESET	0x00							

Table 8-30: Delay Adjustment Register 5 Description

Name	Description	Setting
Reserved Bit 31-16	Reserved	Not Applicable
WUD Bit 15-0	WUD – Wake Up Delay These bits specifies the number of clock cycles for wake up delay period TWAKEUP. The delay is used to wake up the MIPI slave from ULPS state. The clock is the low power clock.	Per Application Condition

8.1.30 Delay Adjustment Register 6

Offset Address

DAR6

Delay Adjustment Register 6

0xCE

BIT	31	30	29	28	27	26	25	24
NAME								
TYPE	RO	RO	RO	RO	RO	RO	RO	RO
RESET	0x0	0x0	0x0	0x0	0x0	0x0	0x0	0x0
BIT	23	22	21	20	19	18	17	16
NAME								
TYPE	RO	RO	RO	RO	RO	RO	RO	RO
RESET	0x0	0x0	0x0	0x0	0x0	0x0	0x0	0x0
BIT	15	14	13	12	11	10	9	8
NAME					TGO			
TYPE	RO	RO	RO	RO	RW			
RESET	0x0	0x0	0x0	0x0	0x4			
BIT	7	6	5	4	3	2	1	0
NAME					TGET			
TYPE	RO	RO	RO	RO	RW			
RESET	0x0	0x0	0x0	0x0	0x5			

Table 8-31: Delay Adjustment Register 6 Description

Name	Description	Setting
Reserved Bit 31-12	Reserved	Not Applicable
TGO Bit 11-8	TGO – TA Go Delay These bits specifies the number of TLPX for TA go delay period TTA-GO.	Per Application Condition
Reserved Bit 7-4	Reserved	Not Applicable
TGET Bit 3-0	TGET – TA Get Delay These bits specifies the number of TLPX for TA get delay period TTA-GET.	Per Application Condition

8.1.31 HS TX Timer Register 1

Offset Address

HTTR1

HS TX Timer Register 1

0xCF

BIT	31	30	29	28	27	26	25	24
NAME								
TYPE	RO	RO	RO	RO	RO	RO	RO	RO
RESET	0x0	0x0	0x0	0x0	0x0	0x0	0x0	0x0
BIT	23	22	21	20	19	18	17	16
NAME								
TYPE	RO	RO	RO	RO	RO	RO	RO	RO
RESET	0x0	0x0	0x0	0x0	0x0	0x0	0x0	0x0
BIT	15	14	13	12	11	10	9	8
NAME	HTT_L[15:8]							
TYPE	RW							
RESET	0x00							
BIT	7	6	5	4	3	2	1	0
NAME	HTT_L[7:0]							
TYPE	RW							
RESET	0x00							

Table 8-32: HS TX Timer Register 1 Description

Name	Description	Setting
Reserved Bit 31-16	Reserved	Not Applicable
HTT_L Bit 15-0	<p>HTT_L – HS TX Timer Low</p> <p>These bits are the lower 16 bits of the HTT.</p> <p>These bits specify the HS TX timer timeout value. PLL reference clock is used to increment an internal timer. The timer starts when the SSD2829 enters HS transmit mode. When the SSD2829 exits from HS transmit mode, the timer will be reset. If the timer expires before the end of HS transmission, the SSD2829 will signal an error and switch to LP mode to continue the transmission. At the same time, the HS bit will be cleared to 0. Software intervention is required so that the SSD2829 can go back to proper HS transmission mode.</p>	Per Application Condition

8.1.32 HS TX Timer Register 2

Offset Address

HTTR2

HS TX Timer Register 2

0xD0

BIT	31	30	29	28	27	26	25	24
NAME								
TYPE	RO	RO	RO	RO	RO	RO	RO	RO
RESET	0x0	0x0	0x0	0x0	0x0	0x0	0x0	0x0
BIT	23	22	21	20	19	18	17	16
NAME								
TYPE	RO	RO	RO	RO	RO	RO	RO	RO
RESET	0x0	0x0	0x0	0x0	0x0	0x0	0x0	0x0
BIT	15	14	13	12	11	10	9	8
NAME	HTT_H[15:8]							
TYPE	RW							
RESET	0x00							
BIT	7	6	5	4	3	2	1	0
NAME	HTT_H[7:0]							
TYPE	RW							
RESET	0x00							

Table 8-33: HS TX Timer Register 2 Description

Name	Description	Setting
Reserved Bit 31-16	Reserved	Not Applicable
HTT_H Bit 15-0	<p>HTT_H – HS TX Timer High</p> <p>These bits are the upper 16 bits of the HTT.</p> <p>These bits specify the HS TX timer timeout value. PLL reference clock is used to increment an internal timer. The timer starts when the SSD2829 enters HS transmit mode. When the SSD2829 exits from HS transmit mode, the timer will be reset. If the timer expires before the end of HS transmission, the SSD2829 will signal an error and switch to LP mode to continue the transmission. At the same time, the HS bit will be cleared to 0. Software intervention is required so that the SSD2829 can go back to proper HS transmission mode.</p>	Per Application Condition

8.1.33 TE Status Register

Offset Address

TESR

TE Status Register

0xD3

BIT	31	30	29	28	27	26	25	24
NAME								
TYPE	RO	RO	RO	RO	RO	RO	RO	RO
RESET	0x0	0x0	0x0	0x0	0x0	0x0	0x0	0x0
BIT	23	22	21	20	19	18	17	16
NAME								
TYPE	RO	RO	RO	RO	RO	RO	RO	RO
RESET	0x0	0x0	0x0	0x0	0x0	0x0	0x0	0x0
BIT	15	14	13	12	11	10	9	8
NAME								
TYPE	RO	RO	RO	RO	RO	RO	RO	RO
RESET	0x0	0x0	0x0	0x0	0x0	0x0	0x0	0x0
BIT	7	6	5	4	3	2	1	0
NAME		CMD_BC	TE_OUT_SEL1	TE_OUT_SEL0	TE_IN_SEL1	TE_IN_SEL0	TER1	TER0
TYPE	RO	RW	RW	RW	RW	RW	RO	RO
RESET	0x0	0x0	0x0	0x0	0x0	0x0	0x0	0x0

Table 8-34: TE Status Register Description

Name	Description	Setting
Reserved Bit 31-7	Reserved	Not Applicable
CMD_BC Bit 6	CMD_BC – Command Broadcast This bit select whether to broadcast the 2C/3C content from MIPITX0 to MIPITX1 when the configuration is 1x2(TX_DUAL=1) for MCU or DSI input.	0 - No Broadcast 1 - Broadcast
TE_OUT_SEL1 Bit 5	Reserved	Not Applicable
TE_OUT_SEL0 Bit 4	TE_OUT_SEL0 – TE output from MIPITX0 This bit select whether to send the TE output from MIPITX0 via TE_OUT0 pin.	0 - Internal TE is sent to TE_OUT_0 pin 1 - Reserved
TE_IN_SEL1 Bit 3	Reserved	Not Applicable
TE_IN_SEL0 Bit 2	TE_OUT_SEL0 – TE output from MIPITX0 This bit select which TE input to be used for pulse shaping.	0 - TE is taken from TE_IN_0 pin 1 - TE is taken from MIPITX0
TE_RESP1 Bit 1	Reserved	Not Applicable
TE_RESP0 Bit 0	TE_RESP0 – TE Response from MIPITX0	0 –TE response has not been received

Name	Description	Setting
	This bit reflects whether a TE response has been received or not. Once a TE response is received, this bit will be set to 1. At the same time, the output TE signal will go high. The host processor can write 1 to clear this bit. Once the bit is cleared, the TE signal will go low.	1 – TE response has been received

8.1.34 SPI Read Register

Offset Address

SRR

SPI Read Register

0xD4

BIT	31	30	29	28	27	26	25	24
NAME								
TYPE	RO	RO	RO	RO	RO	RO	RO	RO
RESET	0x0	0x0	0x0	0x0	0x0	0x0	0x0	0x0
BIT	23	22	21	20	19	18	17	16
NAME								
TYPE	RO	RO	RO	RO	RO	RO	RO	RO
RESET	0x0	0x0	0x0	0x0	0x0	0x0	0x0	0x0
BIT	15	14	13	12	11	10	9	8
NAME								
TYPE	RO	RO	RO	RO	RO	RO	RO	RO
RESET	0x0	0x0	0x0	0x0	0x0	0x0	0x0	0x0
BIT	7	6	5	4	3	2	1	0
NAME	RRA							
TYPE	RW							
RESET	0xFA							

Table 8-35: SPI Read Register Description

Name	Description	Setting
Reserved Bit 31-8	Reserved	Not Applicable
RRA Bit 7-0	RRA – Register Read Address These bits specify the address of the register to be read through the SPI interface, when the interface is SPI 8-bit (either 3 wire or 4 wire).	Per Application Condition

8.1.35 PLL Lock Register

Offset Address

PLR

PLL Lock Register

0xD5

BIT	31	30	29	28	27	26	25	24
NAME								
TYPE	RO	RO	RO	RO	RO	RO	RO	RO
RESET	0x0	0x0	0x0	0x0	0x0	0x0	0x0	0x0
BIT	23	22	21	20	19	18	17	16
NAME								
TYPE	RO	RO	RO	RO	RO	RO	RO	RO
RESET	0x0	0x0	0x0	0x0	0x0	0x0	0x0	0x0
BIT	15	14	13	12	11	10	9	8
NAME	LOCK[15:8]							
TYPE	RW							
RESET	0x14							
BIT	7	6	5	4	3	2	1	0
NAME	LOCK[7:0]							
TYPE	RW							
RESET	0x50							

Table 8-36: PLL Lock Register Description

Name	Description	Setting
Reserved Bit 31-16	Reserved	Not Applicable
LOCK Bit 15-0	LOCK – Lock Counter These bits specify the PLL lock range in term of PLL reference frequency. The maximum PLL lock period is 500us and the default setting assumed the reference clock is 10Mhz.	Per Application Condition

8.1.36 Test Register

Offset Address

TR	Test Register								0xD6
BIT	31	30	29	28	27	26	25	24	
NAME				EHS					
TYPE	RO	RO	RO	RW	RW				
RESET	0x0	0x0	0x0	0x1	0x0				
BIT	23	22	21	20	19	18	17	16	
NAME	COMP_SLICE								
TYPE	RW			RO	RW				
RESET	0x0			0x0	0x0				
BIT	15	14	13	12	11	10	9	8	
NAME	TM		EIC					DIS_CON T	
TYPE	RW		RW					RW	
RESET	0x0		0x00					0x1	
BIT	7	6	5	4	3	2	1	0	
NAME	PNB						END	CO	
TYPE	RW						RW	RW	
RESET	0x01						0x0	0x1	

Table 8-37: Test Register Description

Name	Description	Setting
Reserved Bit 31-29	Reserved	Not Applicable
EHS Bit 28	EHS – Early High Speed clock This bit is used to allow MIPI output to enter HS 1 line earlier before the video data transmission.	0 - disable 1 - enable
Reserved Bit 27-21	Reserved	Not Applicable
Reserved Bit 20	Reserved	Not Applicable
COMP_SLICE Bit 19-16	COMP_SLICE – Number of Compressed Slice per Line These bits indicate the number of slice per line when the input DSI video stream is compressed data.	0 – 1 slice per line .. 15 –16 slices per line
TM Bit 15-14	TM – Test Mode These bits selects whether to inject CRC/ECC error for the outgoing streams. They are used for debugging purpose only. They should be set to 00 in normal mode.	00 – Normal mode 01 – Inject CRC error 10 – Inject 1 bit ECC error 11 – Inject 2 bit ECC error
EIC Bit 13-9	EIC – Error Injection Control	Per Application Condition

Name	Description	Setting
	These bits control the position of the error being injected for testing. It is only applicable when TM is 01.	
DIS_CONT Bit 8	DIS_CONT – Disable Contention input from Analog This bit selects whether to ignore the error contention signals output from the Phy.	0 – Enable 1 – Disable
PNB Bit 7-2	PNB – Packet Number during Blanking These bits control the number of packet to send during video mode blanking period.	Per Application Condition
END Bit 1	END – Endian-ness This bit specifies the endian-ness of the data transmitted over the serial link. During video mode transmission, this bit must be set to 0 so as to follow the MIPI DSI specification.	0 – Least significant byte sent first 1 – Most significant byte sent first
CO Bit 0	CO – Color Order This bit specifies the order of the color component in the pixel. During video mode transmission, this bit must be set to 1 so as to follow the MIPI DSI specification	0 – RGB. R is in the higher portion of the pixel 1 – BGR. B is in the higher portion of the pixel

8.1.37 TE Count Register

Offset Address

TECR **TE Count Register** **0xD7**

BIT	31	30	29	28	27	26	25	24
NAME	TEC1[15:8]							
TYPE	RW							
RESET	0x00							
BIT	23	22	21	20	19	18	17	16
NAME	TEC1[7:0]							
TYPE	RW							
RESET	0x01							
BIT	15	14	13	12	11	10	9	8
NAME	TEC0[15:8]							
TYPE	RW							
RESET	0x00							
BIT	7	6	5	4	3	2	1	0
NAME	TEC0[7:0]							
TYPE	RW							
RESET	0x01							

Table 8-38: TE Count Register Description

Name	Description	Setting
TEC1 Bit 31-16	<p>TEC1 – TE Counter for MIPITX1</p> <p>These bits determines the pulse width of the output TE signal. A counter will be started after the TE signal goes to 1. When the counter reaches the value in TEC1 field, the TE signal will be set to 0. The counter uses the PLL reference clock to do counting.</p> <p>The minimum value is 1.</p>	Per Application Condition
TEC0 Bit 15-0	<p>TEC0 – TE Counter for MIPITX0</p> <p>These bits determines the pulse width of the output TE signal. A counter will be started after the TE signal goes to 1. When the counter reaches the value in TEC0 field, the TE signal will be set to 0. The counter uses the PLL reference clock to do counting.</p> <p>The minimum value is 1.</p>	Per Application Condition

8.1.38 Analog Control Register 1

Offset Address

ACR1

Analog Control Register 1

0xD8

BIT	31	30	29	28	27	26	25	24
NAME	THFT_TLFT1	THFT_TLFT0	EN_REG	HSTX_RO_IN				LPTX_DS[2]
TYPE	RW	RW	RW	RW				RW
RESET	0x0	0x0	0x1	0x5				0x0
BIT	23	22	21	20	19	18	17	16
NAME	LPTX_DS[1:0]		BG_TRIM_V0P6					
TYPE	RW		RW				RW	
RESET	0x0		0x3				0x4	
BIT	15	14	13	12	11	10	9	8
NAME	BG_TC			BG_TEN	BG_TRIM_0P5			BG_IDUTY[2]
TYPE	RW			RW	RW			RW
RESET	0x4			0x0	0x3			0x1
BIT	7	6	5	4	3	2	1	0
NAME	BG_IDUTY[1:0]		BG_IREG		BG_ISEL			EN_BG
TYPE	RW		RW		RW			RW
RESET	0x0		0x1		0x4			0x1

Table 8-39: Analog Control Register 1 Description

Name	Description	Setting
THFT_TLFT1 Bit 31	THFT_TLFT1 – Low Power Receiver Input Threshold High/Low Adjust Bit 1	Per Application Condition
THFT_TLFT0 Bit 30	THFT_TLFT0 – Low Power Receiver Input Threshold High/Low Adjust Bit 0	Per Application Condition
EN_REG Bit 29	EN_REG – 0.5V LDO enable	Per Application Condition
HSTX_RO_IN Bit 28-25	HSTX_RO_IN – Driver output resistance control	Per Application Condition
LPTX_DS Bit 24-22	LPTX_DS – Low Power Transmitter Drive Strength	Per Application Condition
BG_TRIM_V0P6 Bit 21-19	BG_TRIM_V0P6 – Voltage trimming bits	Per Application Condition
Reserved Bit 18-16	Reserved	Not Applicable
BG_TC Bit 15-13	BG_TC – Temperature coefficient programming bits of bandgap	Per Application Condition
BG_TEN Bit 12	BG_TEN – Bandgap Test Enable	Per Application Condition
BG_TRIM_0P5 Bit 11-9	BG_TRIM_0P5 – Voltage trimming bits of 0.5V LDO	Per Application Condition

Name	Description	Setting
BG_IDUTY Bit 8-6	BG_IDUTY – Biasing current adjustment of duty cycle regulation circuit	Per Application Condition
BG_IREG Bit 5-4	BG_IREG – Biasing current adjustment of 0.5V LDO	Per Application Condition
BG_ISEL Bit 3-1	BG_ISEL – Biasing current adjustment of contention detection	Per Application Condition
EN_BG Bit 0	EN_BG – Bandgap Enable	Per Application Condition

8.1.39 RGB Interface Control Register 7

Offset Address

RICR7

RGB Interface Control Register 7

0xDD

BIT	31	30	29	28	27	26	25	24
NAME								
TYPE	RO	RO	RO	RO	RO	RO	RO	RO
RESET	0x0	0x0	0x0	0x0	0x0	0x0	0x0	0x0
BIT	23	22	21	20	19	18	17	16
NAME								
TYPE	RO	RO	RO	RO	RO	RO	RO	RO
RESET	0x0	0x0	0x0	0x0	0x0	0x0	0x0	0x0
BIT	15	14	13	12	11	10	9	8
NAME						VEC	XEQ1	XEQ0
TYPE	RO	RO	RO	RO	RO	RW	RWAC	RWAC
RESET	0x0	0x0	0x0	0x0	0x0	0x0	0x0	0x0
BIT	7	6	5	4	3	2	1	0
NAME	VBN				VFN			
TYPE	RW				RW			
RESET	0x0				0x0			

Table 8-40: RGB Interface Control Register 7 Description

Name	Description	Setting
Reserved Bit 31-11	Reserved	Not Applicable
VEC Bit 10	VEC – Video Enable Control This bit controls how command is handled during video mode, VEN .	0 - Any command received will output immediately if there is no video packet to send. 1 - Any command received will only be output during the blanking period after first video packet is received. If there is no video packet to be sent, the command is held.
XEQ1 Bit 9	XEQ1 – Execute Queue for MIPITX1 This bit will cause SSD2829 to generate Execute Queue Packet(0x16) at the last line of the frame, after hsync packet. It will be cleared when Execute Queue Packet is sent out. This bit is auto cleared by hardware.	0 - Do nothing 1 - Send Execute Queue Packet(0x16) at the last line of the current frame, after hsync.
XEQ0 Bit 8	XEQ – Execute Queue for MIPITX0 This bit will cause SSD2829 to generate Execute Queue Packet(0x16) at the last line of the frame, after hsync packet. It will be cleared when Execute Queue Packet is sent out. This bit is auto cleared by hardware.	0 - Do nothing 1 - Send Execute Queue Packet(0x16) at the last line of the current frame, after hsync.

Name	Description	Setting
VBN Bit 7-4	<p>VBN – Vertical Back Porch Non Video Data Window</p> <p>These fields specify the number of vertical back porch counting backward from the first vertical active line in which non-video data is not allowed to be sent via MIPI link. This field is only valid when VEN is 1 and the interface setting is RGB + SPI(if_sel[0] = 0).</p> <p>This field should not larger than VBP</p>	Per Application Condition
VFN Bit 3-0	<p>VFN – Vertical Front Porch Non Video Data Window</p> <p>These fields specify the number of vertical front porch counting forward from the last vertical active line in which non-video data is not allowed to be sent via MIPI link. This field is only valid when VEN is 1 and the interface setting is RGB + SPI(if_sel[0] = 0).</p> <p>This field should not larger than VFP.</p>	Per Application Condition

8.1.40 INOUT Configuration Control Register

Offset Address

IOCR	INOUT Configuration Register								0xDE
BIT	31	30	29	28	27	26	25	24	
NAME						MCU_SW AP1	MCU_SW AP0	BIT_SWA P1	
TYPE	RO	RO	RO	RO	RO	RW	RW	RW	
RESET	0x0	0x0	0x0	0x0	0x0	0x0	0x0	0x0	
BIT	23	22	21	20	19	18	17	16	
NAME	BIT_SW AP0	PIXEL_S WAP1	PIXEL_S WAP0						
TYPE	RW	RW	RW	RW		RW		RW	
RESET	0x0	0x0	0x0	0x0		0x0		0x0	
BIT	15	14	13	12	11	10	9	8	
NAME									
TYPE	RO	RO	RO	RO	RO	RO	RO	RO	
RESET	0x0	0x0	0x0	0x0	0x0	0x0	0x0	0x0	
BIT	7	6	5	4	3	2	1	0	
NAME	TX_REA D	TX_WRITE		TX_DUAL	TX_LS1		TX_LS0		
TYPE	RW	RW		RW	RW		RW		
RESET	0x0	0x1		0x0	0x0		0x0		

Table 8-41: INOUT Configuration Register Description

Name	Description	Setting
Reserved Bit 31-27	Reserved	Not Applicable
MCU_SWA P1 Bit 26	Reserved	Not Applicable
MCU_SWA P0 Bit 25	MCU_SWAP0 – MCU data swap for MCU This bit defines how the SSD2829 interpret the MCU input.	0 – No Swap 1 – Swap MCU data MSB to LSB
BIT_SWAP1 Bit 24	Reserved	Not Applicable
BIT_SWAP0 Bit 23	BIT_SWAP0 – RGB bit swap for RGB This bit defines how the SSD2829 interpret the RGB video input.	0 – No Swap 1 – Swap RGB pixel MSB to LSB
PIXEL_SW AP1 Bit 22	Reserved	Not Applicable
PIXEL_SW AP0 Bit 21	BIT_SWAP0 – RGB pixel swap for RGB This bit defines how the SSD2829 interpret the RGB video input.	0 – No Swap 1 – Swap RGB pixel upper and lower
Reserved Bit 20	Reserved	Not Applicable

Name	Description	Setting
Reserved Bit 19-18	Reserved	Not Applicable
Reserved Bit 17-16	Reserved	Not Applicable
Reserved Bit 15-8	Reserved	Not Applicable
TX_READ Bit 7	TX_READ – TX read This bit determines the destination of the read command when SSD2829 is configured as 1 input with 2 output(MIPITX).	0 - Read from MIPITX0 1 - Read from MIPITX1
TX_WRITE Bit 6-5	TX_WRITE – TX write This bit determines the destination of the write command when SSD2829 is configured as 1 input with 2 output(MIPITX).	00 - Discard 01 - Write to MIPITX0 10 - Write to MIPITX1 11 - Write to MIPITX0 and MIPITX1
TX_DUAL Bit 4	TX_DUAL – MIPITX dual mode This bit defines the dual/single mode of MIPITX.	0 – Single mode 1 – Dual mode
TX_LS1 Bit 3-2	TX_LS1 – Lane Select for MIPITX1 These bits define the number of lane to be used for MIPITX1 in SSD2829.	00 – 1 lane mode 01 – 2 lane mode 10 – 3 lane mode 11 – 4 lane mode
TX_LS0 Bit 1-0	TX_LS0 – Lane Select for MIPITX0 These bits define the number of lane to be used for MIPITX0 in SSD2829.	00 – 1 lane mode 01 – 2 lane mode 10 – 3 lane mode 11 – 4 lane mode

8.1.41 APB Write Register

Offset Address

AWR

APB Write Register

0xE0

BIT	47	46	45	44	43	42	41	40
NAME	DATA[31:24]							
TYPE	W							
RESET	0x00							
BIT	39	38	37	36	35	34	33	32
NAME	DATA[23:16]							
TYPE	W							
RESET	0x00							
BIT	31	30	29	28	27	26	25	24
NAME	DATA[15:8]							
TYPE	W							
RESET	0x00							
BIT	23	22	21	20	19	18	17	16
NAME	DATA[7:0]							
TYPE	W							
RESET	0x00							
BIT	15	14	13	12	11	10	9	8
NAME	ADDR[15:8]							
TYPE	W							
RESET	0x00							
BIT	7	6	5	4	3	2	1	0
NAME	ADDR[7:0]							
TYPE	W							
RESET	0x00							

Table 8-42: Delay Adjustment Register Description

Name	Description	Setting
DATA Bit 47-16	DATA – 32-bit write data for APB	Refer to APB write section
ADDR Bit 15-0	ADDR – 16-bit address for APB write/read	Refer to APB write section

8.1.42 APB Read Register

Offset Address

ARR

APB Read Register

0xE1

BIT	31	30	29	28	27	26	25	24
NAME	DATA[31:24]							
TYPE	R							
RESET	0x0							
BIT	23	22	21	20	19	18	17	16
NAME	DATA[23:16]							
TYPE	R							
RESET	0x0							
BIT	15	14	13	12	11	10	9	8
NAME	DATA[15:8]							
TYPE	R							
RESET	0x0							
BIT	7	6	5	4	3	2	1	0
NAME	DATA[7:0]							
TYPE	R							
RESET	0x0							

Table 8-43: APB Read Register Description

Name	Description	Setting
DATA Bit 31-0	DATA – 32 bits read data	Refer to APB read section

8.2 Local (APB) Register Descriptions

The APB registers have 16 bit address, of which the most significant 4 bits represent the base address of the APB peripheral, and the least significant 16 bits represent the offset within the APB peripheral. The table below shows the APB peripherals and their respective base address & address range.

Address	Module
0x0000 – 0x0FFF	SCM
0x1000 – 0x1FFF	Reserved
0x2000 – 0x2FFF	Reserved
0x3000 – 0x3FFF	Reserved
0x4000 – 0x4FFF	Reserved
0x5000 – 0x7FFF	Video BIST
0x6000 – 0x6FFF	Pixel Peek

8.2.1 SCM Registers Descriptions

8.2.1.1 SCM Miscellaneous Control Register

Offset Address

SCM_MISC

SCM Miscellaneous Control Register

0x0010

BIT	31	30	29	28	27	26	25	24
NAME			ckmon	lpstate				
TYPE	RO	RO	RW	RW	RW	RW	RW	
RESET	0x0	0x0	0x1	0x0	0x1	0x1	0x0	
BIT	23	22	21	20	19	18	17	16
NAME								v2c
TYPE	RW		RW		RW	RW	RW	RW
RESET	0x2		0x1		0x0	0x0	0x0	0x0
BIT	15	14	13	12	11	10	9	8
NAME								
TYPE	RW				RW		RW	RW
RESET	0x0				0x3		0x1	0x0
BIT	7	6	5	4	3	2	1	0
NAME	flip1	flip0						
TYPE	RW	RW	RW		RW	RW		RW
RESET	0x0	0x0	0x0		0x0	0x0		0x0

Table 8-44: SCM Miscellaneous Control Description

Name	Description	Setting
Reserved Bit31-30	Reserved	Not Applicable
clkmon Bit29	Clock Monitor on TE_OUT0 – This bit enable the TE_OUT0 to be used as clkout monitor signals	Per Application Condition
lpstate Bit28	LP State – This bit controls the state of the link when the chip is powered down	0=LP00 1=LP11
Reserved Bit 27-17	Reserved	Not Applicable
v2c Bit 16	Video to Cmd – Indicates whether video is converted to 2C/3C commands.	0=Disable 1=Enable
Reserved Bit 15-12	Reserved	Not Applicable
Reserved Bit 11-9	Reserved	Not Applicable
Reserved Bit 8	Reserved	Not Applicable
mtx_flip1 Bit 7	MIPI Left/Right Flip for DSI1 – This bit configures the left and right image swap at the MIPI output.	0x0 = Data received from read from left to right (Default) 0x1 = Data received from read from right to left
mtx_flip0 Bit 6	MIPI Left/Right Flip for DSI0 – This bit configures the left and right image swap at the MIPI output.	0x0 = Data received from read from left to right (Default) 0x1 = Data received from read from right to left
Reserved Bit 5-4	Reserved	Not Applicable
Reserved Bit 3	Reserved	Not Applicable
Reserved Bit 2-1	Reserved	Not Applicable
Reserved Bit 0	Reserved	Not Applicable

8.2.1.2 SCM Scratch Register

Offset Address

SCM_SCRATCH

SCM Scratch Register

0x0014

BIT	31	30	29	28	27	26	25	24
NAME	scratch[31:24]							
TYPE	RW							
RESET	0x00							
BIT	23	22	21	20	19	18	17	16
NAME	scratch[23:16]							
TYPE	RW							
RESET	0x00							
BIT	15	14	13	12	11	10	9	8
NAME	scratch[15:8]							
TYPE	RW							
RESET	0x00							
BIT	7	6	5	4	3	2	1	0
NAME	scratch0[7:0]							
TYPE	RW							
RESET	0x00							

Table 8-45: SCM Scratch Register Description

Name	Description	Setting
scratch Bit 31-0	Scratch Register – User can use this register to store any value	Per Application Condition

8.2.2 Video BIST Register Descriptions

8.2.2.1 Video BIST Register 0

VBISTR0		Video BIST Register 0							Offset Address
								0x000	
BIT	31	30	29	28	27	26	25	24	
NAME	VB_REPEAT_CNT[15:8]								
TYPE	RW	RW	RW	RW	RW	RW	RW	RW	
RESET	0	0	0	0	0	0	0	0	
0x0									
BIT	23	22	21	20	19	18	17	16	
NAME	VB_REPEAT_CNT[7:0]								
TYPE	RW	RW	RW	RW	RW	RW	RW	RW	
RESET	0	0	0	0	0	0	0	0	
0x0									
BIT	15	14	13	12	11	10	9	8	
NAME									
TYPE	RO	RO	RO	RO	RO	RO	RO	RO	
RESET	0	0	0	0	0	0	0	0	
0x0									
BIT	7	6	5	4	3	2	1	0	
NAME	VB_MODE[3:0]			VB_CFG_MODE[1:0]		VB_CSPF	VB_EN		
TYPE	RW	RW	RW	RW	RW	RW	RW	RW	
RESET	0	0	0	0	0	0	0	0	
0x0									

Table 8-46: Video BIST Register 0 Description

Name	Description	Setting
VB_REPEAT_CNT[15:0] Bit 31-16	Video BIST Repeat Count – These bits set the repeat count for video pattern generation. It will have different meaning for different VB_MODE .	Video BIST section for more information.
Reserved Bit15-8	Reserved	Not Applicable
VB_MODE[3:0] Bit 7-4	Video BIST Mode – These bits select the Video BIST image pattern.	Video BIST section for more information.
VB_CFG_MODE[1:0] Bit 3-2	Video BIST Config Mode – These bits select the mode that video bist generate the pattern	0 – Single data buffer mode (Normal) 1 – Reserved 2 – Reserved 3 – Dual data buffer mode (Broadcast)
VB_CSPF Bit 1	Video BIST Color Swap per Frame – This bit enable the color swap per frame	0 – Disable 1 – Enable
VB_EN Bit 0	Video BIST Enable – This bit enable the Video BIST function	0 – Disable 1 – Enable

8.2.2.2 Video BIST Register 1

Offset Address

VBISTR1
Video BIST Register 1
0x004

BIT	31	30	29	28	27	26	25	24
NAME								
TYPE	RO	RO	RO	RO	RO	RO	RO	RO
RESET	0	0	0	0	0	0	0	0
	0x0							
BIT	23	22	21	20	19	18	17	16
NAME								
TYPE	RO	RO	RO	RO	RO	RO	RO	RO
RESET	0	0	0	0	0	0	0	0
	0x0							
BIT	15	14	13	12	11	10	9	8
NAME							VB_COLOR_X_R[9:8]	
TYPE	RO	RO	RO	RO	RO	RO	RW	RW
RESET	0	0	0	0	0	0	0	0
	0x0							
BIT	7	6	5	4	3	2	1	0
NAME	VB_COLOR_X_R[7:0]							
TYPE	RW	RW	RW	RW	RW	RW	RW	RW
RESET	0	0	0	0	0	0	0	0
	0x0							

Table 8-47: Video BIST Register 1 Description

Name	Description	Setting
Reserved Bit 31-10	Reserved	Not Applicable
VB_COLOR_X_R[9:0] Bit 9-0	Video BIST Color X Red Component – These bits specify the Color X Red Component.	30bpp – [9:0] 24bpp – [7:0]

8.2.2.3 Video BIST Register 2

VBISTR2							Video BIST Register 2		Offset Address
									0x008
BIT	31	30	29	28	27	26	25	24	
NAME							VB_COLOR_X_G[9:8]		
TYPE	RO	RO	RO	RO	RO	RO	RW	RW	
RESET	0	0	0	0	0	0	0	0	
0x0									
BIT	23	22	21	20	19	18	17	16	
NAME	VB_COLOR_X_G[7:0]								
TYPE	RW	RW	RW	RW	RW	RW	RW	RW	
RESET	0	0	0	0	0	0	0	0	
0x0									
BIT	15	14	13	12	11	10	9	8	
NAME							VB_COLOR_X_B[9:8]		
TYPE	RO	RO	RO	RO	RO	RO	RW	RW	
RESET	0	0	0	0	0	0	0	0	
0x0									
BIT	7	6	5	4	3	2	1	0	
NAME	VB_COLOR_X_B[7:0]								
TYPE	RW	RW	RW	RW	RW	RW	RW	RW	
RESET	0	0	0	0	0	0	0	0	
0x0									

Table 8-48: Video BIST Register 2 Description

Name	Description	Setting
Reserved Bit 31–26	Reserved	Not Applicable
VB_COLOR_X_G[9:0] Bit 25–16	Video BIST Color X Green Component – These bits specify the Color X Red Component.	30bpp – [9:0] 24bpp – [7:0]
Reserved Bit 15–10	Reserved	Not Applicable
VB_COLOR_X_B[9:0] Bit 9-0	Video BIST Color X Blue Component – These bits specify the Color X Red Component.	30bpp – [9:0] 24bpp – [7:0]

8.2.2.4 Video BIST Register 3

VBISTR3		Video BIST Register 3							Offset Address 0x00C	
BIT	31	30	29	28	27	26	25	24		
NAME										
TYPE	RO	RO	RO	RO	RO	RO	RO	RO	RO	
RESET	0	0	0	0	0	0	0	0	0	
0x0										
BIT	23	22	21	20	19	18	17	16		
NAME										
TYPE	RO	RO	RO	RO	RO	RO	RO	RO	RO	
RESET	0	0	0	0	0	0	0	0	0	
0x0										
BIT	15	14	13	12	11	10	9	8		
NAME							VB_COLOR_Y_R[9:8]			
TYPE	RO	RO	RO	RO	RO	RO	RW	RW		
RESET	0	0	0	0	0	0	0	0	0	
0x0										
BIT	7	6	5	4	3	2	1	0		
NAME	VB_COLOR_Y_R[7:0]									
TYPE	RW	RW	RW	RW	RW	RW	RW	RW	RW	
RESET	0	0	0	0	0	0	0	0	0	
0x0										

Table 8-49: Video BIST Register 3 Description

Name	Description	Setting
Reserved Bit 31–10	Reserved	Not Applicable
VB_COLOR_Y_R[9:0] Bit 9-0	Video BIST Color X Red Component – These bits specify the Color X Red Component.	30bpp – [9:0] 24bpp – [7:0]

8.2.2.5 Video BIST Register 4

VBISTR4							Video BIST Register 4		Offset Address 0x010
BIT	31	30	29	28	27	26	25	24	
NAME							VB_COLOR_Y_G[9:8]		
TYPE	RO	RO	RO	RO	RO	RO	RW	RW	
RESET	0	0	0	0	0	0	0	0	
0x0									
BIT	23	22	21	20	19	18	17	16	
NAME	VB_COLOR_Y_G[7:0]								
TYPE	RW	RW	RW	RW	RW	RW	RW	RW	
RESET	0	0	0	0	0	0	0	0	
0x0									
BIT	15	14	13	12	11	10	9	8	
NAME							VB_COLOR_Y_B[9:8]		
TYPE	RO	RO	RO	RO	RO	RO	RW	RW	
RESET	0	0	0	0	0	0	0	0	
0x0									
BIT	7	6	5	4	3	2	1	0	
NAME	VB_COLOR_Y_B[7:0]								
TYPE	RW	RW	RW	RW	RW	RW	RW	RW	
RESET	0	0	0	0	0	0	0	0	
0x0									

Table 8-50: Video BIST Register 4 Description

Name	Description	Setting
Reserved Bit 31–26	Reserved	Not Applicable
VB_COLOR_Y_G[9:0] Bit 25–16	Video BIST Color Y Green Component – These bits specify the Color Y Red Component.	30bpp – [9:0] 24bpp – [7:0]
Reserved Bit 15–10	Reserved	Not Applicable
VB_COLOR_Y_B[9:0] Bit 9-0	Video BIST Color Y Blue Component – These bits specify the Color Y Red Component.	30bpp – [9:0] 24bpp – [7:0]

8.2.2.6 Video BIST Register 5

Offset Address
0x014

VBISTR5

Video BIST Register 5

BIT	31	30	29	28	27	26	25	24
NAME	VB_X_START[15:8]							
TYPE	RW	RW	RW	RW	RW	RW	RW	RW
RESET	0	0	0	0	0	0	0	0
	0x0							
BIT	23	22	21	20	19	18	17	16
NAME	VB_X_START[7:0]							
TYPE	RW	RW	RW	RW	RW	RW	RW	RW
RESET	0	0	0	0	0	0	0	0
	0x0							
BIT	15	14	13	12	11	10	9	8
NAME	VB_X_END[15:8]							
TYPE	RW	RW	RW	RW	RW	RW	RW	RW
RESET	0	0	0	0	0	0	0	0
	0x0							
BIT	7	6	5	4	3	2	1	0
NAME	VB_X_END[7:0]							
TYPE	RW	RW	RW	RW	RW	RW	RW	RW
RESET	0	0	0	0	0	0	0	0
	0x0							

Table 8-51: Video BIST Register 5 Description

Name	Description	Setting
VB_X_START[15:0] Bit 31–16	Video BIST X Start – These bits define the X starting position.	Per Application Condition
VB_X_END[15:0] Bit 15–0	Video BIST X End – These bits define the X end position.	Per Application Condition

8.2.2.7 Video BIST Register 6

Offset Address
0x018

VBISTR6

Video BIST Register 6

BIT	31	30	29	28	27	26	25	24
NAME	VB_Y_START[15:8]							
TYPE	RW	RW	RW	RW	RW	RW	RW	RW
RESET	0	0	0	0	0	0	0	0
	0x0							
BIT	23	22	21	20	19	18	17	16
NAME	VB_Y_START[7:0]							
TYPE	RW	RW	RW	RW	RW	RW	RW	RW
RESET	0	0	0	0	0	0	0	0
	0x0							
BIT	15	14	13	12	11	10	9	8
NAME	VB_Y_END[15:8]							
TYPE	RW	RW	RW	RW	RW	RW	RW	RW
RESET	0	0	0	0	0	0	0	0
	0x0							
BIT	7	6	5	4	3	2	1	0
NAME	VB_Y_END[7:0]							
TYPE	RW	RW	RW	RW	RW	RW	RW	RW
RESET	0	0	0	0	0	0	0	0
	0x0							

Table 8-52: Video BIST Register 6 Description

Name	Description	Setting
VB_Y_START[15:0] Bit 31–16	Video BIST Y Start – These bits define the Y starting position.	Per Application Condition
VB_Y_END[15:0] Bit 15–0	Video BIST Y End – These bits define the Y end position.	Per Application Condition

8.2.3 Pixel Peek Registers Descriptions

8.2.3.1 Pixel Peek Register 0

PIXELPEEKR0		Pixel Peek Register 0							Offset Address
								0x000	
BIT	31	30	29	28	27	26	25	24	
NAME	CURSOR_POSITION_Y[15:8]								
TYPE	RW	RW	RW	RW	RW	RW	RW	RW	
RESET	0	0	0	0	0	0	0	0	
0x0									
BIT	23	22	21	20	19	18	17	16	
NAME	CURSOR_POSITION_Y[7:0]								
TYPE	RW	RW	RW	RW	RW	RW	RW	RW	
RESET	0	0	0	0	0	0	0	0	
0x0									
BIT	15	14	13	12	11	10	9	8	
NAME	CURSOR_POSITION_X[15:8]								
TYPE	RW	RW	RW	RW	RW	RW	RW	RW	
RESET	0	0	0	0	0	0	0	0	
0x0									
BIT	7	6	5	4	3	2	1	0	
NAME	CURSOR_POSITION_X[7:0]								
TYPE	RW	RW	RW	RW	RW	RW	RW	RW	
RESET	0	0	0	0	0	0	0	0	
0x0									

Table 8-53: Pixel Peek Register 0 Description

Name	Description	Setting
CURSOR_POSITION_Y [15:0] Bit 31–16	Cursor Position Y – These bits set the y-coordinate to measure	Per Application Condition
CURSOR_POSITION_X [15:0] Bit 15–0	Cursor Position X – These bits set the x-coordinate to measure	Per Application Condition

8.2.3.2 Pixel Peek Register 1

PIXELPEEKR1		Pixel Peek Register 1							Offset Address 0x004
BIT	31	30	29	28	27	26	25	24	
NAME									
TYPE	RO	RO	RO	RO	RO	RO	RO	RO	
RESET	0	0	0	0	0	0	0	0	
0x0									
BIT	23	22	21	20	19	18	17	16	
NAME									
TYPE	RO	RO	RO	RO	RO	RO	RO	RO	
RESET	0	0	0	0	0	0	0	0	
0x0									
BIT	15	14	13	12	11	10	9	8	
NAME									
TYPE	RO	RO	RO	RO	RO	RO	RO	RO	
RESET	0	0	0	0	0	0	0	0	
0x0									
BIT	7	6	5	4	3	2	1	0	
NAME			PREVENT_UPDATE	CURSOR_VISIBLE	CURSOR_COLOR_DYNAMIC	CURSOR_COLOR_RGB[2:0]			
TYPE	RO	RO	RW	RW	RW	RW	RW	RW	
RESET	0	0	0	0	0	0	0	0	
0x0									

Table 8-54: Pixel Peek Register 1 Description

Name	Description	Setting
Reserved Bit 31–6	Reserved	Not Applicable
PREVENT_UPDATE Bit 5	Prevent Update – Set this bit before reading the values.	Per Application Condition
CURSOR_VISIBLE Bit 4	Cursor Visible – This bit enable cursor display.	0 = disable 1 = enable
CURSOR_COLOR_DYNAMIC Bit 3	Cursor Color Dynamic – This bit enable dynamic color for cursor	0 = disable 1 = enable
CURSOR_COLOR_BGR[2:0] Bit 2–0	Cursor Color BGR – These bits set the color for cursor (BGR, B on MSB).	Per Application Condition

8.2.3.3 Pixel Peek Register 2

PIXELPEEKR2		Pixel Peek Register 2							Offset Address 0x008
BIT	31	30	29	28	27	26	25	24	
NAME									
TYPE	RO	RO	RO	RO	RO	RO	RO	RO	
RESET	0	0	0	0	0	0	0	0	
	0x00								
BIT	23	22	21	20	19	18	17	16	
NAME									
TYPE	RO	RO	RO	RO	RO	RO	RO	RO	
RESET	0	0	0	0	0	0	0	0	
	0x00								
BIT	15	14	13	12	11	10	9	8	
NAME	MEAS_VALUE_B[15:8]								
TYPE	RO	RO	RO	RO	RO	RO	RO	RO	
RESET	0	0	0	0	0	0	0	0	
	0x00								
BIT	7	6	5	4	3	2	1	0	
NAME	MEAS_VALUE_B[7:0]								
TYPE	RO	RO	RO	RO	RO	RO	RO	RO	
RESET	0	0	0	0	0	0	0	0	
	0x00								

Table 8-55: Pixel Peek Register 2 Description

Name	Description	Setting
Reserved Bit 31–16	Reserved	Not Applicable
MEAS_VALUE_B[15:0] Bit 15–0	Measure Value B – Measured value for Blue.	Per Application Condition

8.2.3.4 Pixel Peek Register 3

PIXELPEEKR3		Pixel Peek Register 3							Offset Address
									0x00C
BIT	31	30	29	28	27	26	25	24	
NAME	MEAS_VALUE_G[15:8]								
TYPE	RO	RO	RO	RO	RO	RO	RO	RO	
RESET	0	0	0	0	0	0	0	0	
0x0									
BIT	23	22	21	20	19	18	17	16	
NAME	MEAS_VALUE_G[7:0]								
TYPE	RO	RO	RO	RO	RO	RO	RO	RO	
RESET	0	0	0	0	0	0	0	0	
0x0									
BIT	15	14	13	12	11	10	9	8	
NAME	MEAS_VALUE_R[15:8]								
TYPE	RO	RO	RO	RO	RO	RO	RO	RO	
RESET	0	0	0	0	0	0	0	0	
0x0									
BIT	7	6	5	4	3	2	1	0	
NAME	MEAS_VALUE_R[7:0]								
TYPE	RO	RO	RO	RO	RO	RO	RO	RO	
RESET	0	0	0	0	0	0	0	0	
0x0									

Table 8-56: Pixel Peek Register 3 Description

Name	Description	Setting
MEAS_VALUE_G[15:0] Bit 31–16	Measure Value G – Measured value for Green.	Per Application Condition
MEAS_VALUE_R[15:0] Bit 15–0	Measure Value R – Measured value for Red.	Per Application Condition

9 MAXIMUM RATINGS

Table 9-1: Maximum Ratings (Voltage Referenced to V_{SS})

Symbol	Parameter	Min	Typ	Max	Unit
AVDD	Analog Power Supply	-0.3	-	1.44	V
AVDD_RC	Analog Power Supply	-0.3	-	1.44	V
VCIP	Analog Power for Bandgap, 3.3V	-0.3	-	3.96	V
VDRV	Analog Power for MIPI TX Driver	-0.3	-	1.44	V
VDD_CORE	Digital Core Power Supply	-0.3	-	1.44	V
VDDIO	I/O Power Supply	-0.3	-	3.96	V
T _{STG}	Storage Temperature	-40	-	150	°C

Maximum ratings are those values beyond which damages to the device may occur. Functional operation should be restricted to the limits in the Electrical Characteristics tables or Pin Description section

This device contains circuitry to protect the inputs against damage due to high static voltages or electric fields; however, it is advised that normal precautions be taken to avoid application of any voltage higher than maximum rated voltages to this high impedance circuit. For proper operation it is recommended that V_{CI} and V_{OUT} be constrained to the range V_{SS} < V_{DD} ≤ V_{CI} < V_{OUT}. Reliability of operation is enhanced if unused input is connected to an appropriate logic voltage level (e.g., either V_{SS} or V_{DD}). Unused outputs must be left open. This device may be light sensitive. Caution should be taken to avoid exposure of this device to any light source during normal operation. This device is not radiation protected.

10 DC OPERATING CONDITIONS

Table 10-1 : Recommended Operating Conditions

Symbol	Parameter	Min	Typ	Max	Unit
AVDD	Analog Power Supply	1.08	1.2	1.32	V
AVDD_RC	Analog Power Supply	1.08	1.2	1.32	V
VDD_CORE	Digital Core Power Supply	1.08	1.2	1.32	V
VDDIO	I/O Power Supply	1.62	1.8	1.98	V
	I/O Power Supply	2.7	3.3	3.6	V
VCIP	Analog Power for Bandgap	2.7	3.3	3.6	V
T _A	Operating Temperature	-40	25	85	°C

10.1 DC CHARACTERISTICS

Symbol	Parameter	Test Condition	Min	Typ	Max	Unit
I _{DD_1.2V_active}	Current for all 1.2V supplies for active mode	Active Mode (Video Mode) 2560x1600@60Hz, MIPITX-D@1.25Gbps x 8 lanes	-	150	250	mA
I _{DD_1.8V_active}	Current for VDDIO (1.8/3.3V) supplies for active mode		-	7	15	mA
I _{DD_3.3V_active}	Current for VCIP supply for active mode		-	100	200	uA
I _{DD_1.2V_powerdown}	Current for all 1.2V supplies for power down mode	Power Down mode MIPIRX off MIPITX off	-	110	250	μA
I _{DD_1.8V_powerdown}	Current for VDDIO (1.8/3.3V) supplies for power down mode		-	300	600	μA
I _{DD_3.3V_powerdown}	Current for VCIP supply for power down mode		-	0	10	μA
V _{OH (CMOS)}	Output High Voltage (CMOS)	I _{OH} = -2 ~ -16 mA	VDDIO*80%	-	-	V
V _{OL (CMOS)}	Output Low Voltage (CMOS)	I _{OL} = 2 ~ 16 mA	-	-	VDDIO*15%	V
V _{IH (CMOS)}	Input High Voltage (CMOS)	-	VDDIO*70%	-	-	V
V _{IL (CMOS)}	Input Low Voltage (CMOS)	-	-	-	VDDIO*20%	V
I _{OZ}	Tri-state Output Leakage Current	-	-1	-	+1	μA
I _{IN}	Input Leakage Current	-	-1	-	+1	μA

11 AC CHARACTERISTICS

11.1 Power Up Timing

Symbol	Parameters	Min	Typ	Max	Units
T _{VDD12_RISE}	Rise time for all 1.2V VDD supplies (10% to 90%)	1	-	10	ms
T _{VDD18_RISE}	Rise time for all 1.8V VDD supplies (10% to 90%)	1	-	10	ms
T _{VDD18_ON}	Time from 1.2V supplies on to 1.8V and 3.3V supplies on. Note: If VDD18 is applied before VDD12 is applied, there could be up to 1mA of additional leakage during the period when VDD12 is still not available.	-5	-	30	ms

11.2 RESET Timing

Symbol	Parameters	Min	Typ	Max	Units
T _{RESET}	RESET_IN “Low” Pulse Width	10	-	-	us

11.3 Interface Timing

11.3.1 MCU Interface (Type A) Timing

Symbol	Parameter	Min	Typ	Max	Unit
T_{MC}	MCU clock frequency	-	-	160	Mhz
t_{CYCLE_WR}	Clock Cycle Time(Write)	1	-	-	T_{MC}
t_{CYCLE_RD}	Clock Cycle Time(Read)	8	-	-	T_{MC}
p_{WCSL}	Control Pulse Low Width	0.5	-	-	T_{MC}
p_{WCSh}	Control Pulse High Width	0.5	-	-	T_{MC}
t_{AS}	Address Setup Time	1.6	-	-	ns
t_{AH}	Address Hold Time	1.6	-	-	ns
t_{DSW}	Data Setup Time	1.6	-	-	ns
t_{DHW}	Data Hold Time	1.6	-	-	ns
t_{ACC}	Data Access Time	12	-	-	ns
t_{DHR}	Read Data Hold time	$t_{CYCLE_RD} / 2$	-	-	ns
t_R	Rise time	1	-	-	ns
t_F	Fall time	1	-	-	ns

Table 11-1 MCU Interface (Type A) Timing Characteristics

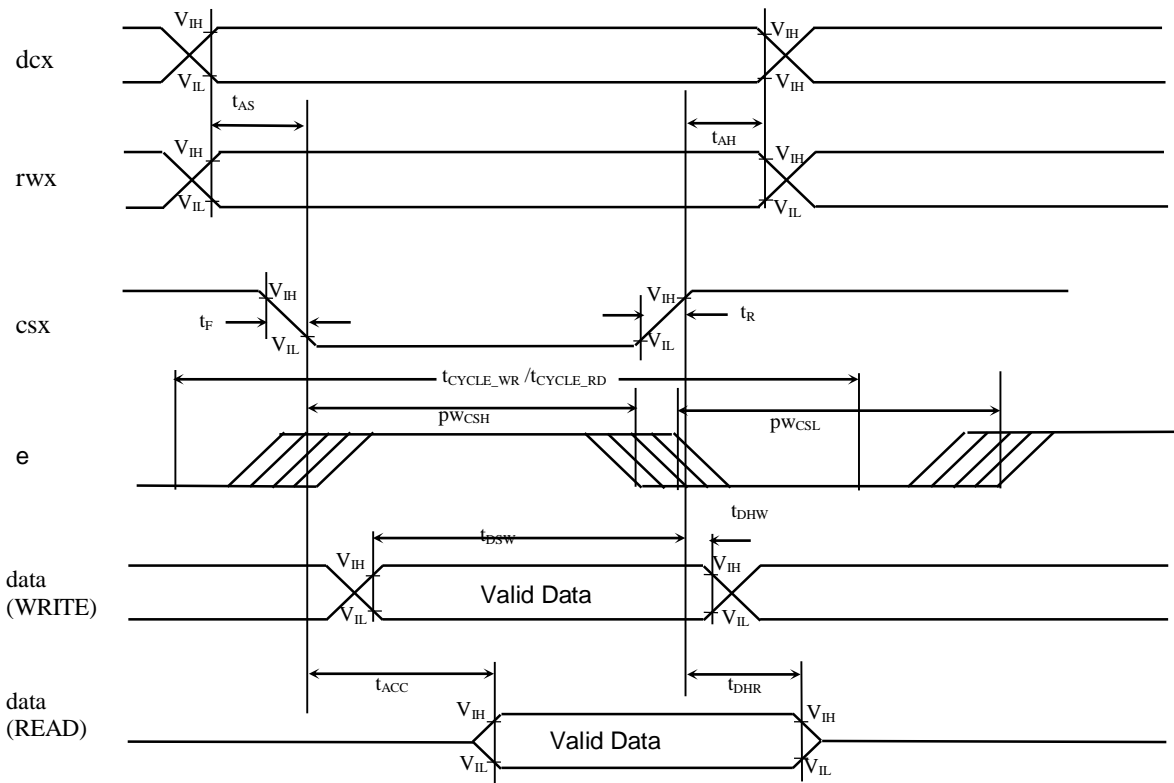


Figure 11-1 MCU Interface (Type A) Timing Diagram

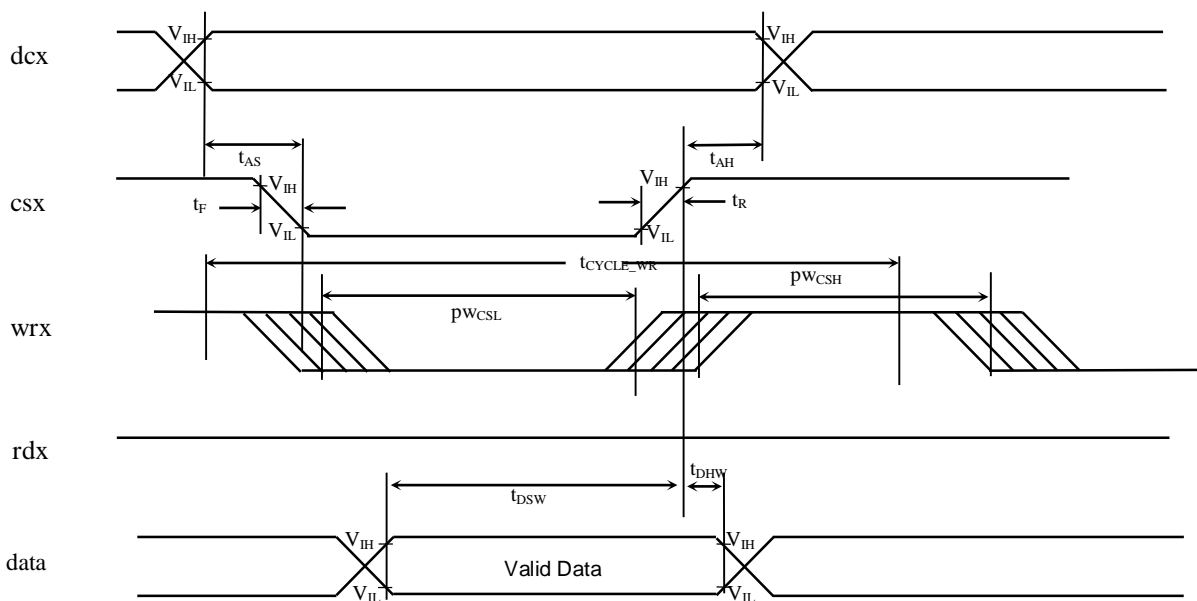
Note: V_{IL} and V_{IH} refers to DC CHARACTERISTICS

11.3.2 MCU Interface (Type B) Timing

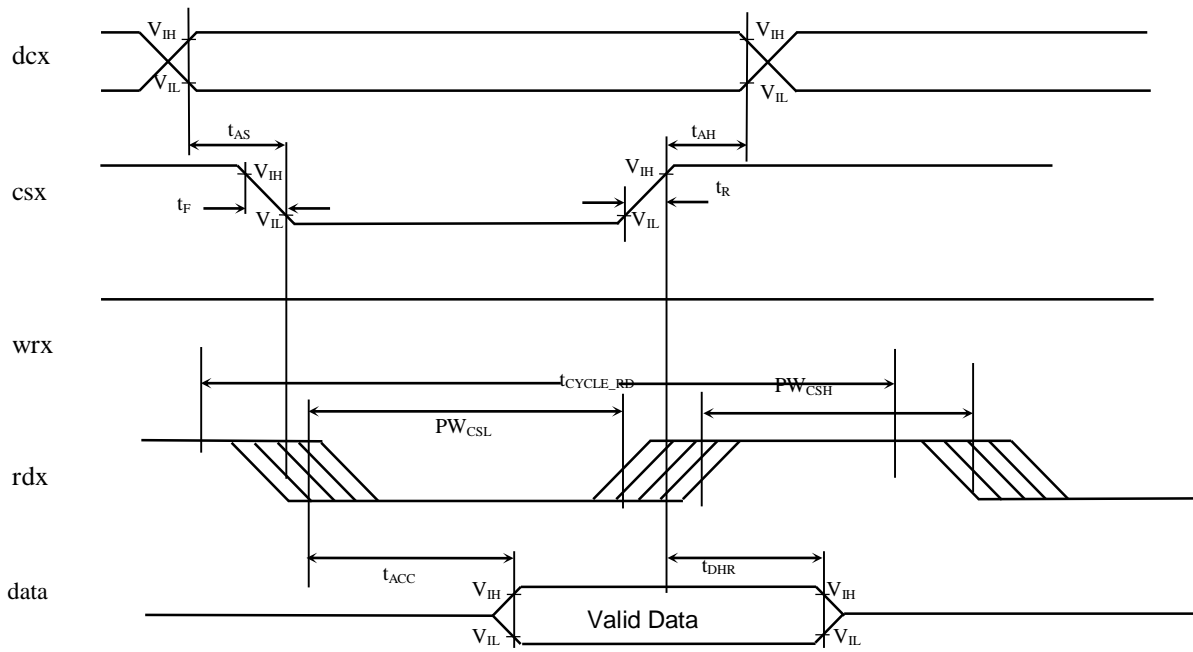
Symbol	Parameter	Min	Typ	Max	Unit
T_{MC}	MCU Clock Frequency	-	-	160	Mhz
t_{CYCLE_WR}	Clock Cycle Time(Write)	1	-	-	T_{MC}
t_{CYCLE_RD}	Clock Cycle Time(Read)	8	-	-	T_{MC}
p_{WCSL}	Control Pulse Low Width	0.5	-	-	T_{MC}
p_{WCSH}	Control Pulse High Width	0.5	-	-	T_{MC}
t_{AS}	Address Setup Time	1.6	-	-	ns
t_{AH}	Address Hold Time	1.6	-	-	ns
t_{DSW}	Data Setup Time	1.6	-	-	ns
t_{DHW}	Data Hold Time	1.6	-	-	ns
t_{ACC}	Data Access Time	12	-	-	ns
t_{DHR}	Read Data Hold time	$t_{CYCLE_RD} / 2$	-	-	ns
t_R	Rise time	1	-	-	Ns
t_F	Fall time	1	-	-	Ns

Table 11-2: MCU Interface (Type B) Timing Characteristics

Write



Read



Note: V_{IL} and V_{IH} refers to DC CHARACTERISTICS

11.3.3 SPI Interface Timing

Symbol	Parameters	Min	Typ	Max	Units
T _{MC}	SPI Clock Frequency	-	-	50	Mhz
t _{CYCLE_WR}	Clock Cycle Time(Write)	1	-	-	T _{MC}
t _{CYCLE_RD}	Clock Cycle Time(Read)	4	-	-	T _{MC}
t _{CSS}	Chip Select Setup Time	2	-	-	ns
t _{CSH}	Chip Select Hold Time	4	-	-	ns
t _{DCS}	Chip Select Setup Time(for 4 wire 8 bit mode)	2	-	-	ns
t _{DCH}	Chip Select Hold Time(for 4 wire 8 bit mode)	4	-	-	ns
t _{DSW}	Write Data Setup Time	2	-	-	ns
t _{DHW}	Write Data Hold Time	4	-	-	ns
t _{ACC}	Read Data Access Time	8	-	-	ns
t _{DHR}	Read Data Hold Time	t _{CYCLE_RD} / 2	-	-	ns
t _{CSWD}	Chip Select Write Delay Time	1	-	-	T _{BC}
t _{CSRD}	Chip Select Read Delay Time	1	-	-	T _{BC}
t _R	Rise time	1	-	-	ns
t _F	Fall time	1	-	-	ns

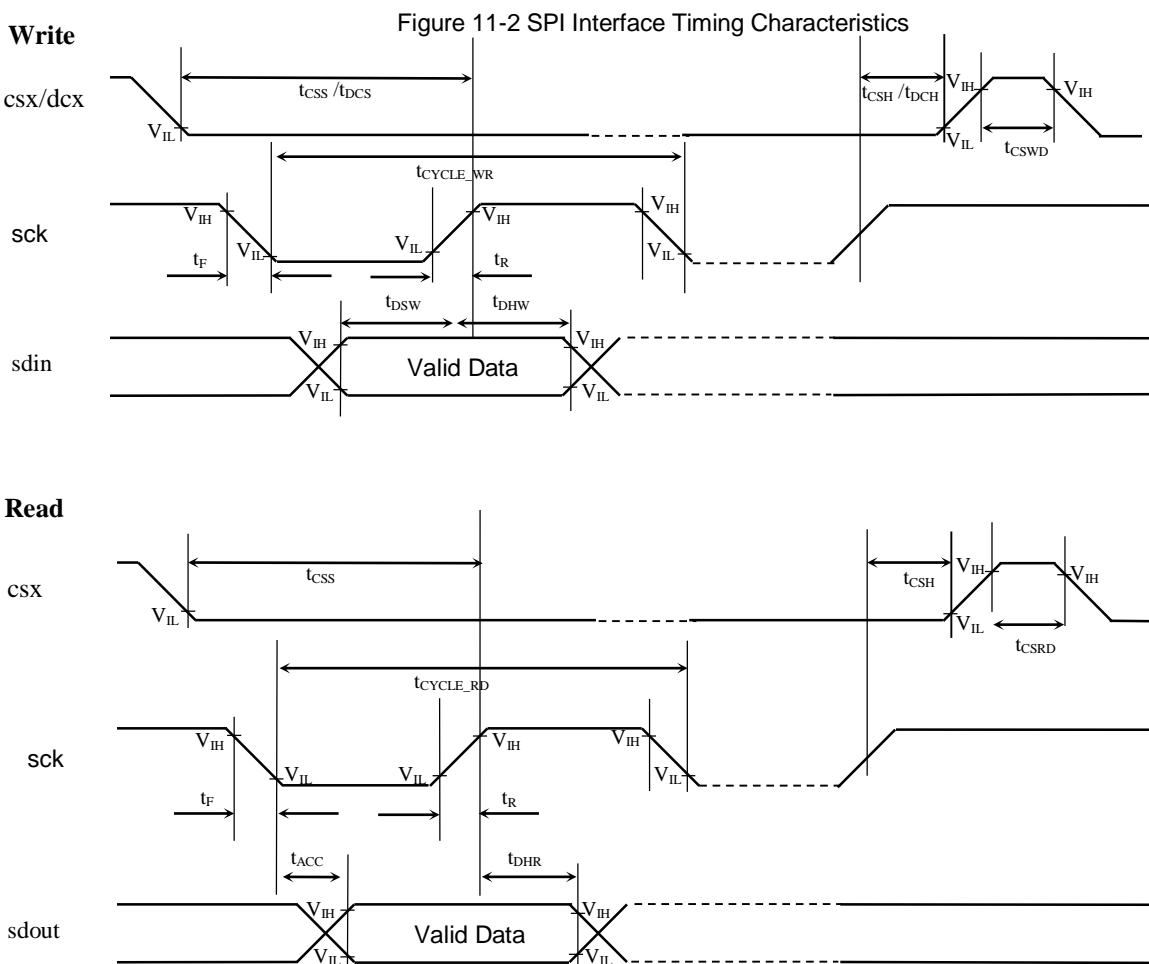


Figure 11-3: SPI Interface Timing Diagram

Note: V_{IL} and V_{IH} refers to DC CHARACTERISTICS

11.3.4 RGB Interface Timing

Symbol	Parameters	Min	Typ	Max	Units
t_{pclk}	pclk Period	5.5	-	-	ns
t_{vsys}	Vertical Sync Setup Time	1.7	-	-	ns
t_{vsyh}	Vertical Sync Hold Time	1.7	-	-	ns
t_{hsys}	Horizontal Sync Setup Time	1.7	-	-	ns
t_{hsyh}	Horizontal Sync Hold Time	1.7	-	-	ns
t_{hv}	Phase difference of Sync Signal Falling Edge	-1	0	1	t_{pclk}
t_{ds}	Data Setup Time	1.7	-	-	ns
t_{dh}	Data hold Time	1.7	-	-	ns
t_{ch2ch}	Phase difference of channel 0 and 1	-1	0	2	t_{pclk}

Table 11-3 RGB Interface Timing Characteristics

Note: The link should run at greater or equal than the pclk frequency * bit per pixel (bpp).

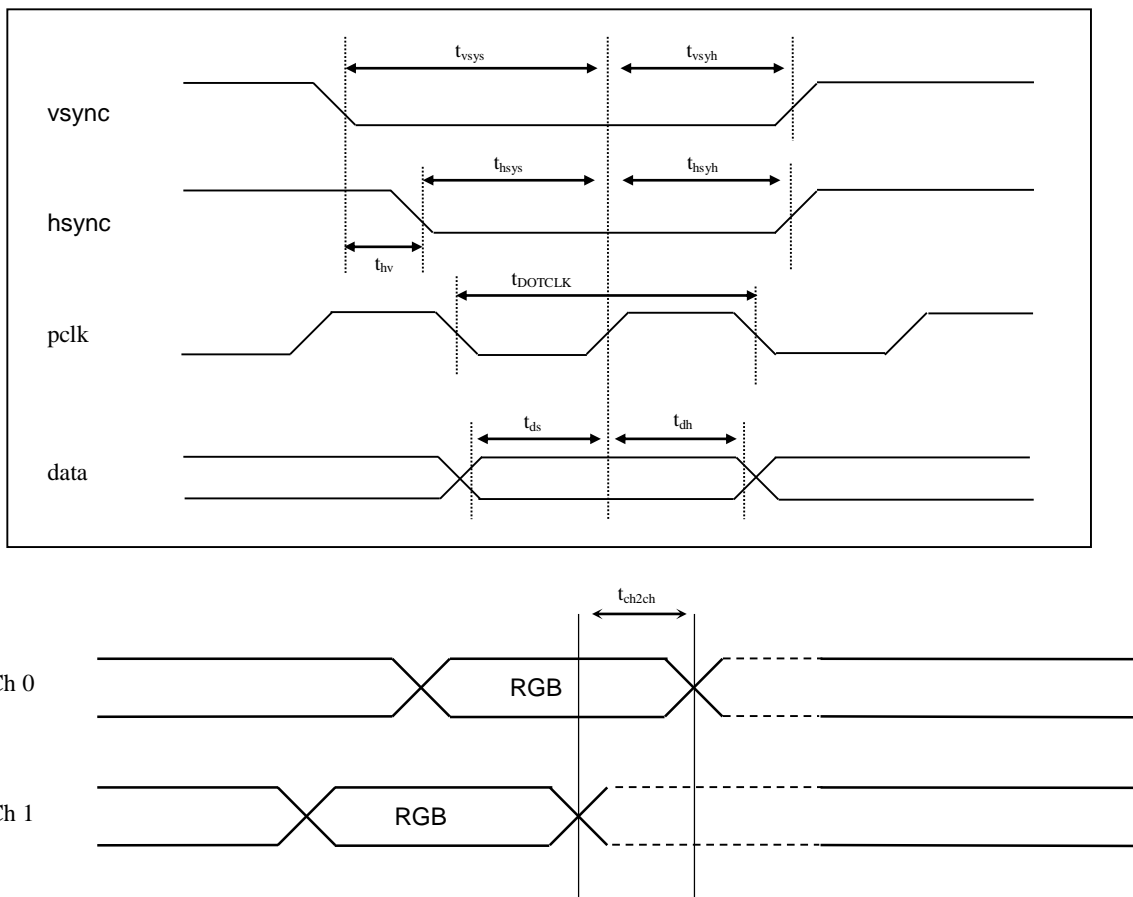
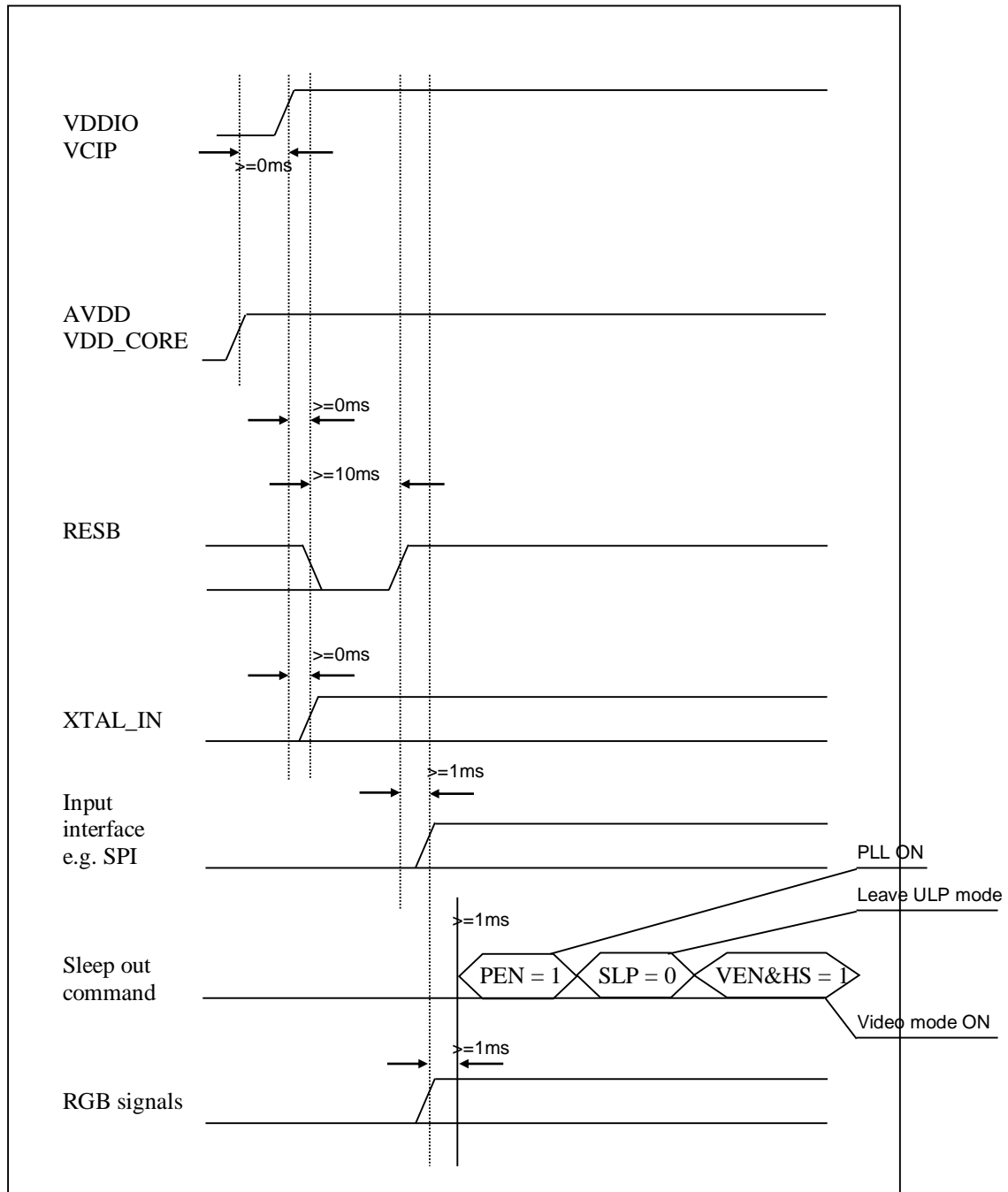
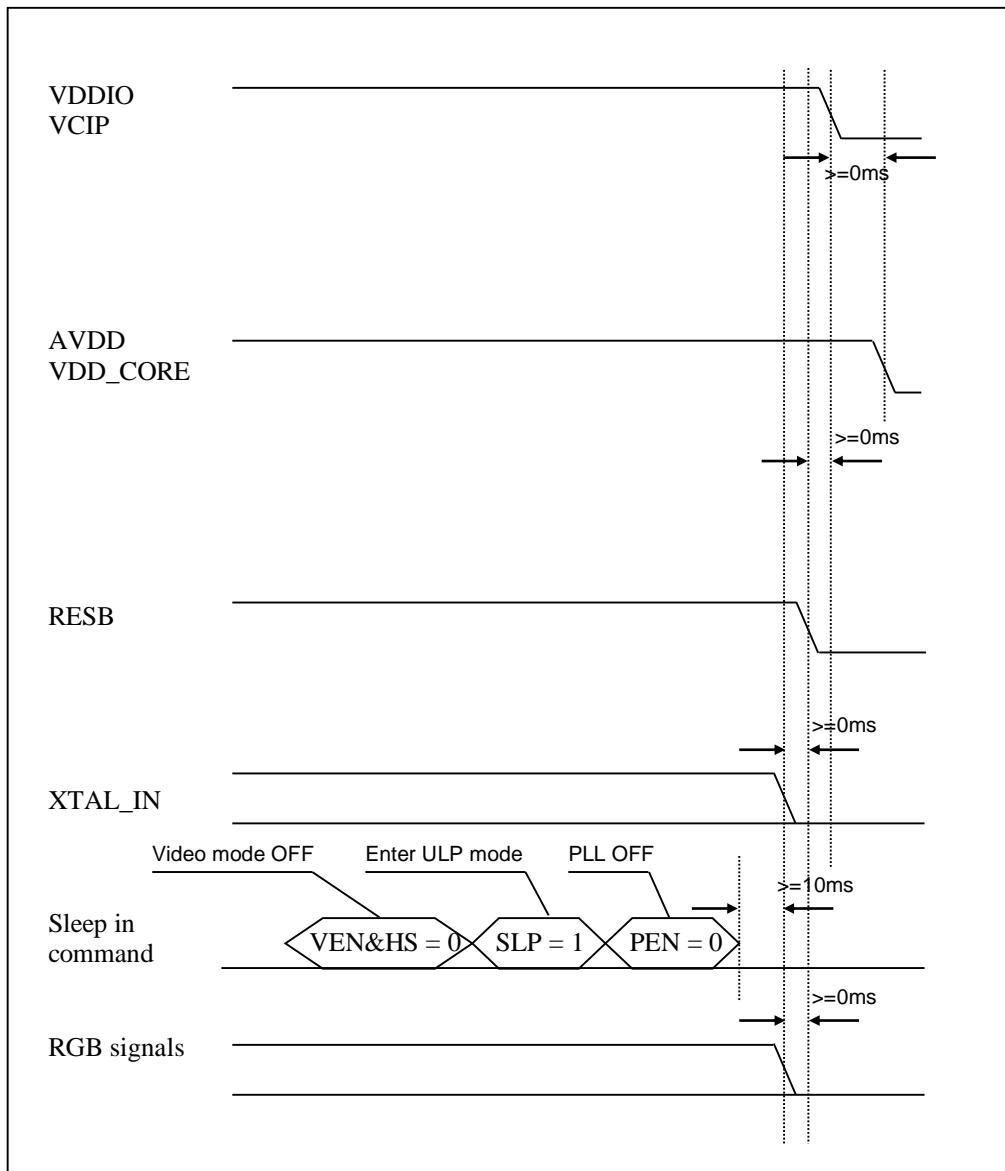


Figure 11-4: RGB Interface Timing Diagram

12 POWER UP SEQUENCE



13 POPWER OFF SEQUENCE



14 MIPI DPHY CHARACTERISTICS

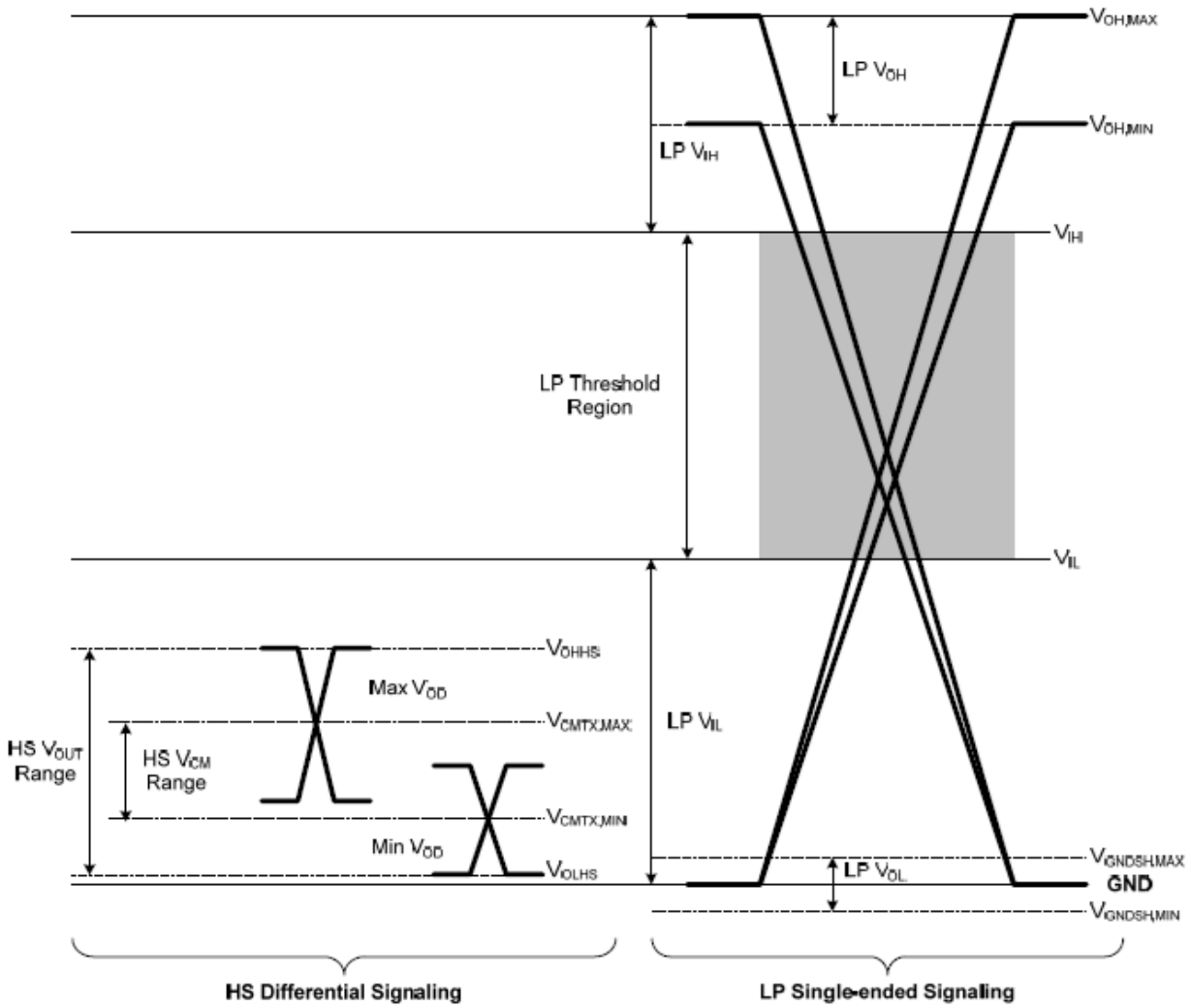


Figure 14-1 D-PHY Signaling Levels

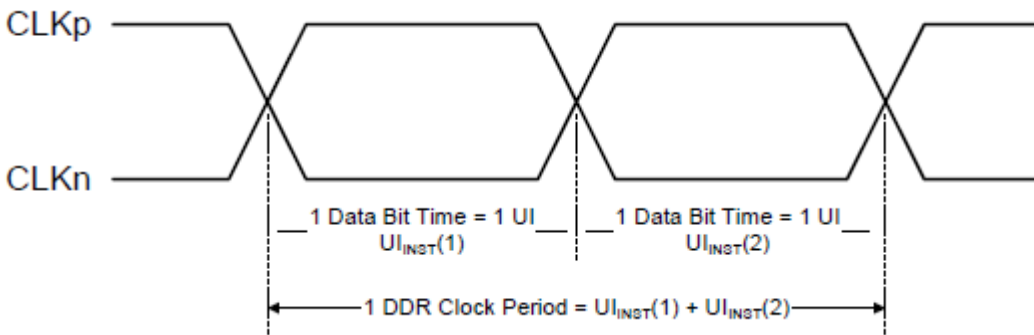


Figure 14-2 DDR Clock Definition

Table 14-1 : Clock Signal Specification

Clock Parameter	Symbol	Min	Typ	Max	Units	Notes
UI instantaneous	UI _{INST}			12.5	ns	1,2
UI variation	Δ UI	-10%		10%	UI	3
		-5%		5%	UI	4

Notes:

1. *This value corresponds to a minimum 80 Mbps data rate.*
2. *The minimum UI shall not be violated for any single bit period, i.e., any DDR half cycle within a data burst. The allowed instantaneous UI variation can cause instantaneous data rate variations. Therefore, devices should either accommodate these instantaneous variations with appropriate FIFO logic outside of the PHY or provide an accurate clock source to the Lane Module to eliminate these instantaneous variations.*
3. *When UI \geq 1ns, within a single burst.*
4. *When UI < 1ns, within a single burst.*

14.1 MIPI DPHY HS CHARACTERISTICS

Table 14-2 HS Transmitter DC Specifications

Parameter	Description	Min	Nom	Max	Units	Notes
V_{CMTX}	HS transmit static common-mode voltage	150	200	250	mV	1
$ \Delta V_{CMTX(1,0)} $	V_{CMTX} mismatch when output is Differential-1 or Differential-0			5	mV	2
$ V_{OD} $	HS transmit differential voltage	140	200	270	mV	1
$ \Delta V_{OD} $	V_{OD} mismatch when output is Differential-1 or Differential-0			14	mV	2
V_{OHHS}	HS output high voltage			360	mV	1
Z_{OS}	Single ended output impedance	40	50	62.5	Ω	
ΔZ_{OS}	Single ended output impedance mismatch			10	%	

Notes:

1. Value when driving into load impedance anywhere in the Z_{ID} range.
2. A transmitter should minimize ΔV_{OD} and $\Delta V_{CMTX(1,0)}$ in order to minimize radiation, and optimize signal integrity.

Table 14-3 HS Transmitter AC Specifications

Parameter	Description	Min	Nom	Max	Units	Notes
$\Delta V_{CMTX(HF)}$	Common-level variations above 450MHz			15	mV _{RMS}	
$\Delta V_{CMTX(LF)}$	Common-level variation between 50-450MHz			25	mV _{PEAK}	
t_R and t_F	20%-80% rise time and fall time			0.3	UI	1, 2
				0.35	UI	1, 3
		100			ps	4

Notes:

1. UI is equal to $1/(2*fh)$. See Section 8.3 for the definition of fh.
2. Applicable when operating at HS bit rates ≤ 1 Gbps ($UI \geq 1$ ns).
3. Applicable when operating at HS bit rates > 1 Gbps ($UI < 1$ ns).
4. Applicable for all HS bit rates. However, to avoid excessive radiation, bit rates ≤ 1 Gbps ($UI \geq 1$ ns), should not use values below 150 ps.

Table 14-4 LP Transmitter DC Specifications

Parameter	Description	Min	Nom	Max	Units	Notes
V_{OH}	Thevenin output high level	1.1	1.2	1.3	V	
V_{OL}	Thevenin output low level	-50		50	mV	
Z_{OLP}	Output impedance of LP transmitter	110			Ω	1, 2

Notes:

1. See Figure 42 and Figure 43.
2. Though no maximum value for Z_{OLP} is specified, the LP transmitter output impedance shall ensure the T_{RLP}/T_{FLP} specification is met.

Table 14-5 LP Transmitter AC Specifications

Parameter	Description		Min	Nom	Max	Units	Notes
T_{RLP}/T_{FLP}	15%-85% rise time and fall time				25	ns	1
T_{REOT}	30%-85% rise time and fall time				35	ns	1, 5, 6
$T_{LP-PULSE-TX}$	Pulse width of the LP exclusive-OR clock	First LP exclusive-OR clock pulse after Stop state or last pulse before Stop state	40			ns	4
		All other pulses	20			ns	4
$T_{LP-PER-TX}$	Period of the LP exclusive-OR clock		90			ns	
$\delta V/\delta t_{SR}$	Slew rate @ $C_{LOAD} = 0pF$				500	mV/ns	1, 3, 7, 8
	Slew rate @ $C_{LOAD} = 5pF$				300	mV/ns	1, 3, 7, 8
	Slew rate @ $C_{LOAD} = 20pF$				250	mV/ns	1, 3, 7, 8
	Slew rate @ $C_{LOAD} = 70pF$				150	mV/ns	1, 3, 7, 8
	Slew rate @ $C_{LOAD} = 0$ to $70pF$ (Falling Edge Only)		30			mV/ns	1, 2, 3
	Slew rate @ $C_{LOAD} = 0$ to $70pF$ (Rising Edge Only)		30			mV/ns	1, 3, 9
	Slew rate @ $C_{LOAD} = 0$ to $70pF$ (Rising Edge Only)		30 – 0.075 * ($V_{O,INST} - 700$)			mV/ns	1, 3, 10, 11
	C_{LOAD}	Load capacitance		0		70	pF

Notes:

1. C_{LOAD} includes the low-frequency equivalent transmission line capacitance. The capacitance of TX and RX are assumed to always be $<10pF$. The distributed line capacitance can be up to $50pF$ for a transmission line with $2ns$ delay.
2. When the output voltage is between 400 mV and 930 mV.
3. Measured as average across any 50 mV segment of the output signal transition.
4. This parameter value can be lower than T_{LPX} due to differences in rise vs. fall signal slopes and trip levels and mismatches between Dp and Dn LP transmitters. Any LP exclusive-OR pulse observed during HS EoT (transition from HS level to LP-11) is glitch behavior as described in Section 9.2.2.
5. The rise-time of T_{REOT} starts from the HS common-level at the moment the differential amplitude drops below $70mV$, due to stopping the differential drive.
6. With an additional load capacitance C_{CM} between 0 and 60 pF on the termination center tap at RX side of the Lane

15 OPERATING MODE

15.1 Programming Model

The table below shows the local register map summary in SSD2829.

Table 15-1: SSD2829 Local Register Map

Command	Description														
0xB0 – 0xDF	<p>Some of the commands would have additional data parameters added to support extension of certain register fields. For example VBP (Vertical back porch) is an 8-bit field. With the extension of the number of data parameters, VBP can now become a 16-bit field. The original register fields' location would be maintained in the first 2 data parameters for back-ward compatibility purpose. Only 2 data parameters would be added.</p>														
0xE0	<p>This is the command for APB peripheral access (e.g. SCM)</p> <p>If all 6 data parameters are given, SSD2829 would issue APB write access with the APB_ADDR and APB_DATA.</p> <p>If only 2 data parameters are given, SSD2829 would store the APB_ADDR for read operation. Host can do a data read to read back the APB_DATA.</p> <table border="1" data-bbox="459 1182 1093 1429"> <thead> <tr> <th>Data Parameter</th> <th>Description</th> </tr> </thead> <tbody> <tr> <td>1</td> <td>APB_ADDR[7:0]</td> </tr> <tr> <td>2</td> <td>APB_ADDR[15:8]</td> </tr> <tr> <td>3</td> <td>APB_DATA[7:0]</td> </tr> <tr> <td>4</td> <td>APB_DATA[15:8]</td> </tr> <tr> <td>5</td> <td>APB_DATA[23:16]</td> </tr> <tr> <td>6</td> <td>APB_DATA[31:24]</td> </tr> </tbody> </table>	Data Parameter	Description	1	APB_ADDR[7:0]	2	APB_ADDR[15:8]	3	APB_DATA[7:0]	4	APB_DATA[15:8]	5	APB_DATA[23:16]	6	APB_DATA[31:24]
Data Parameter	Description														
1	APB_ADDR[7:0]														
2	APB_ADDR[15:8]														
3	APB_DATA[7:0]														
4	APB_DATA[15:8]														
5	APB_DATA[23:16]														
6	APB_DATA[31:24]														
0xE1 – 0xFE	Reserved														

15.1.1 Access Local (non-APB) Registers

The legacy registers (16-bit accessed) are accessed in term of 2 bytes per cycle for all MCU interfaces, except 8-bit format which requires 3 cycles to access (1 command, 2 data cycles)

In the first write cycle, only 8-bit data are written into the SSD2829, as the address can only be 8-bit. No matter whether the interface is 8-bit, 16-bit and 24-bit lower 8 bits are used. Please refer to the table below.

Interface types	Data pins			
	D53-D30	D23-D16	D15-D8	D7-D0
24-bit, 16-bit, 8-bit	Don't care	Don't care	Don't care	Address

Table 15-2: MCU Interface Data Pin Mapping for Command Cycle for Legacy Registers

In the sub-sequent read or write cycle, the data width is only 16-bit or 2 bytes no matter the interface width is selected, except for 8-bit format. Please refer to the table below.

If there are 4 bytes in the legacy registers due to data parameters extension, there will be additional data cycles accordingly.

Interface types	Cycle	Data pins				Note
		D53-D30	D23-D16	D15-D8	D7-D0	
24-bit, 16-bit	1 st	Don't care	Don't care	Data Byte 1	Data Byte 0	(1)
	2 nd	Don't care	Don't care	Data Byte 3	Data Byte 2	(2)
8-bit	1 st	Don't care	Don't care	Don't care	Data Byte 0	(1)
	2 nd	Don't care	Don't care	Don't care	Data Byte 1	(2)
	3 rd	Don't care	Don't care	Don't care	Data Byte 2	(3)
	4 th	Don't care	Don't care	Don't care	Data Byte 3	

Table 15-3: MCU Interface Data Pin Mapping for Legacy Register

Note:

- (1) If the local registers have 4 bytes of data, host can either write 2 bytes or 4 bytes of data.
- (2) If the local registers have only 2-bytes of data, any extra write will be ignored
- (3) For 8-bit interface, all writes must be in multiple of 2 cycles

15.1.2 Access Local (APB) Registers for Write

The APB peripheral's registers are accessed by 0xE0. The data content of 0xE0 are 6 bytes and arranged in the order of {addr low, addr high, data0, data1, data2, data3}, where addr low is sent first.

In the first write cycle, only 8-bit data are written into the SSD2829, as the address can only be 8-bit. No matter whether the interface is 8-bit, 16-bit and 24-bit, lower 8 bits are used. Please refer to the table below.

Interface types	Data pins			
	D53-D30	D23-D16	D15-D8	D7-D0
24-bit, 16-bit, 8-bit	Don't care	Don't care	Don't care	0xE0

Table 15-4: MCU Interface Data Pin Mapping for Command Cycle for Extended Registers Write

In the sub-subsequent write cycle, the data width is only 16-bit or 2 bytes, no matter the interface width is selected, excepted for 8-bit format. Please refer to the table below.

Interface types	Cycle	Data pins			
		D53-D30	D23-D16	D15-D8	D7-D0
24-bit, 16-bit	1 st	Don't care	Don't care	Addr High	Addr Low
	2 nd	Don't care	Don't care	Data Byte 1	Data Byte 0
	3 rd	Don't care	Don't care	Data Byte 3	Data Byte 2
8-bit	1 st	Don't care	Don't care	Don't care	Addr Low
	2 nd	Don't care	Don't care	Don't care	Addr High
	3 rd	Don't care	Don't care	Don't care	Data Byte 0
	4 th	Don't care	Don't care	Don't care	Data Byte 1
	5 th	Don't care	Don't care	Don't care	Data Byte 2
	6 th	Don't care	Don't care	Don't care	Data Byte 3

Table 15-5: MCU Interface Data Pin Mapping for Extended Registers Write

15.1.3 Access APB Registers for Read

The APB peripheral's registers are accessed by 0xE0. The content of 0xE0 are 2 bytes and arranged in the order of {addr low, addr high}, where addr low is sent first.

In the first write cycle, only 8-bit data are written into the SSD2829, as the address can only be 8-bit. No matter whether the interface is 8-bit, 16-bit or 24-bit, lower 8 bits are used. Please refer to the table below.

Interface types	Data pins			
	D53-D30	D23-D16	D15-D8	D7-D0
24-bit, 16-bit, 8-bit	Don't care	Don't care	Don't care	0xE0

Table 15-6: MCU Interface Data Pin Mapping for Command Cycle for Extended Registers Read

Prior to the read cycles, the host must set the address of the extended registers to be read through write 0xE1. In the sub-sequent write cycle, the data width is only 16-bit or 2 bytes no matter what interface width is selected, except for 8-bit format. Please refer to the table below.

Interface types	Cycle	Data pins			
		D53-D30	D23-D16	D15-D8	D7-D0
24-bit, 16-bit	1 st	Don't care	Don't care	Addr High	Addr Low
8-bit	1 st	Don't care	Don't care	Don't care	Addr Low
	2 nd	Don't care	Don't care	Don't care	Addr High

Table 15-7: MCU Interface Data Pin Mapping for Extended Registers Address Set

For the read cycles, the host read the data in 16-bit or 2 bytes format no matter what interface width is selected except for 8-bit format. Please refer to the table below. Please refer to the table below.

Interface types	Cycle	Data pins			
		D53-D30	D23-D16	D15-D8	D7-D0
24-bit, 16-bit	1 st	Don't care	Don't care	Read Data 1	Read Data 0
	2 nd	Don't care	Don't care	Read Data 3	Read Data 2
8-bit	1 st	Don't care	Don't care	Don't care	Read Data 0
	2 nd	Don't care	Don't care	Don't care	Read Data 1
	3 rd	Don't care	Don't care	Don't care	Read Data 2
	4 th	Don't care	Don't care	Don't care	Read Data 3

Table 15-8: MCU Interface Data Pin Mapping for Extended Registers Address Set

15.2 SPI Interface

SSD2829 supports three types of SPI interface,

- 8-Bit 3 wire (type C option 1, DBI 2.0)

- 8-Bit 4 wire (type C option 3, DBI 2.0)

- 24-bit 3 wire

The selection is controlled by ps[1:0] pins. The least significant byte should be written first

15.2.1 SPI Interface 8-Bit 4 Wire

This interface consists of sdc, sck, sdin, sdout and csx. It only supports 8-Bit data. Each cycle contains 8-Bit data. The first cycle should be a command write cycle to specify the register address for access. The subsequent cycles are read or write cycles for read or write operations.

The csx should be driven from 1 to 0 to start an operation and from 0 to 1 to end an operation. During 1 operation, the application processor can write or read multiple bytes.

sdcx indicates whether the operation is for data or command. When sdcx is 1, the operation is for data. When sdcx is 0, the operation is for command. sdcx is sampled at every 8th rising edge of sck during 1 operation.

During write operation, sdin will be sampled by SSD2829 at the rising edge of sck. The first rising edge of sck after the falling edge of csx samples the bit 7 of the 8-Bit data. The second rising edge of sck samples the bit 6 of the 8-Bit data, and so on. The value of sdcx is sampled at the 8th rising edge of sck, together with bit 0 of the 8-Bit data. Please see the diagram below for illustration. Optionally, the csx can be driven to 1 in between cycles.

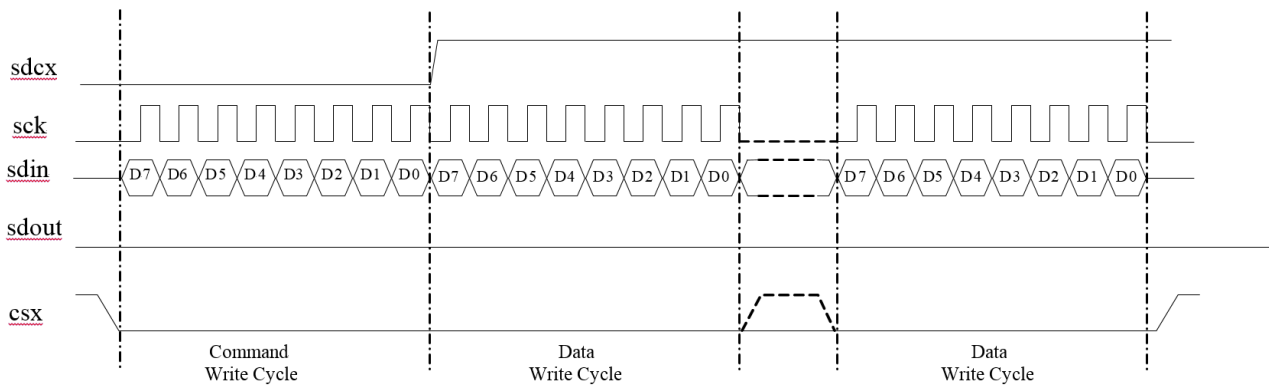


Figure 15-1: SPI Interface 8-bit 4 wire for write

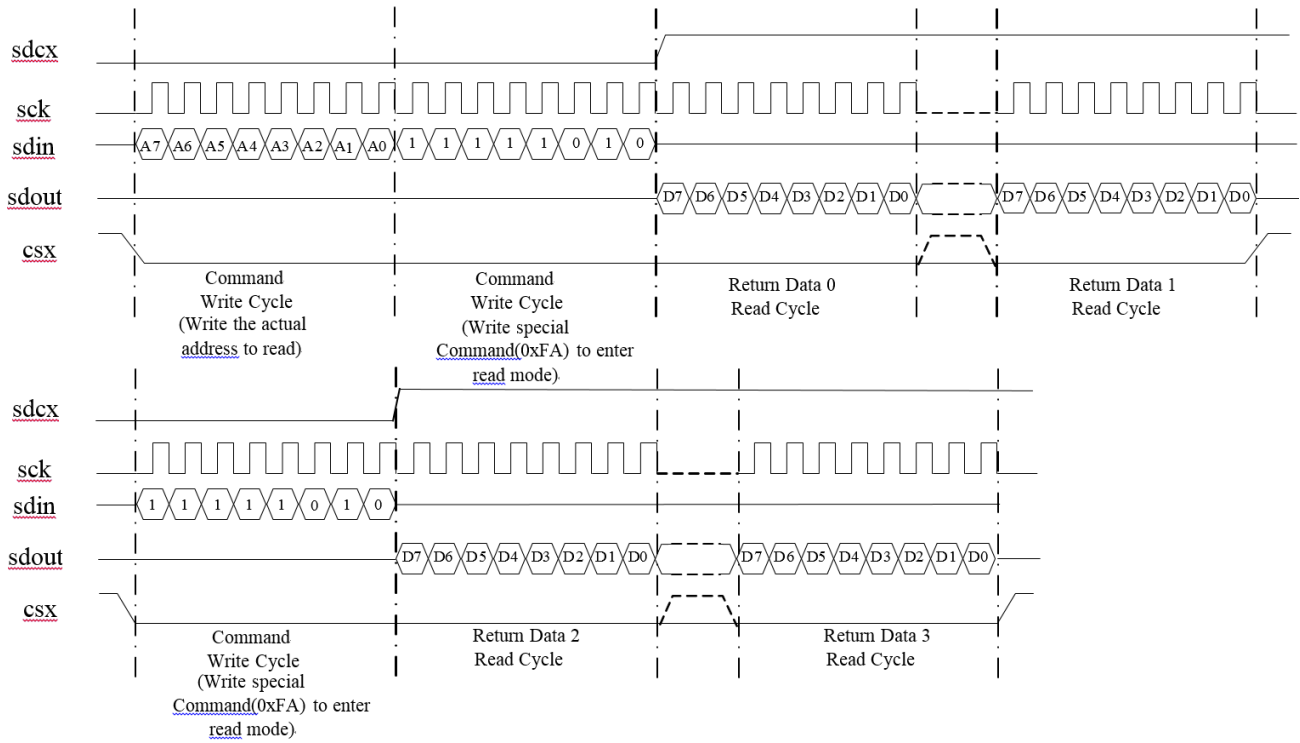


Figure 15-2: SPI Interface 8-bit 4 wire for read

15.2.2 SPI Interface 8-Bit 3 Wire

This interface consists of sck, sdin, sdout and csx. It only supports 8-Bit data. Each cycle contains 8-Bit data. The first cycle should be a write cycle to specify the register address for access. The subsequent cycles are read or write cycles for read or write operations.

The csx should be driven from 1 to 0 to start an operation and from 0 to 1 to end an operation. During 1 operation, the application processor can write or read multiple bytes.

Instead of sdcx, an sdcx bit is used to indicate whether the operation is for data or command. Each byte is associated with an sdcx bit. When sdcx is 1, the operation is for display data. When sdcx is 0, the operation is for command. The sdcx bit is sent priori to each byte. In other words, the sdcx bit is the first bit of every 9 bits during 1 operation.

During write operation, sdin will be sampled by SSD2829 at the rising edge of sck. The first rising edge of sck after the falling edge of csx samples the sdcx bit. The second rising edge samples bit 7 of the 8-Bit data. The third rising edge of sck samples the bit 6 of the 8-Bit data, and so on. Please see the diagram below for illustration. Optionally, the csx can be driven to 1 in between cycles.

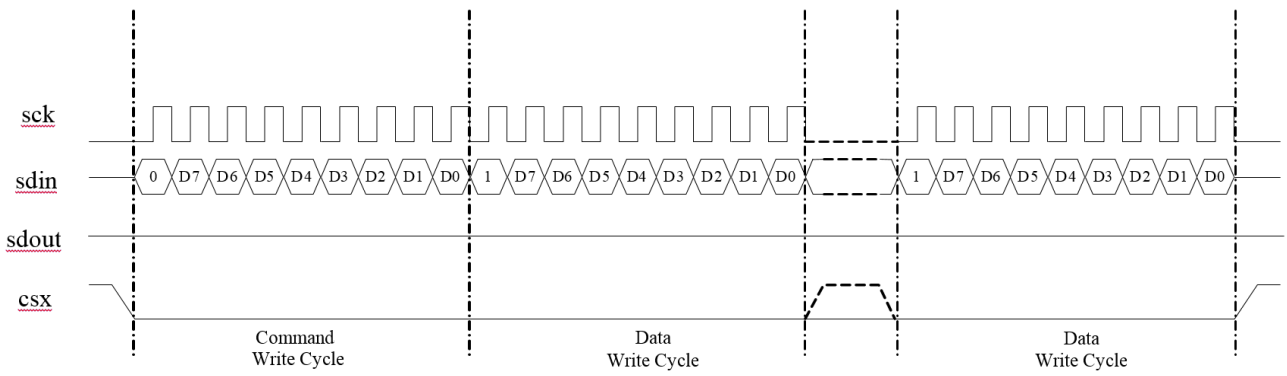


Figure 15-3: SPI Interface 8-bit 3 wire for write

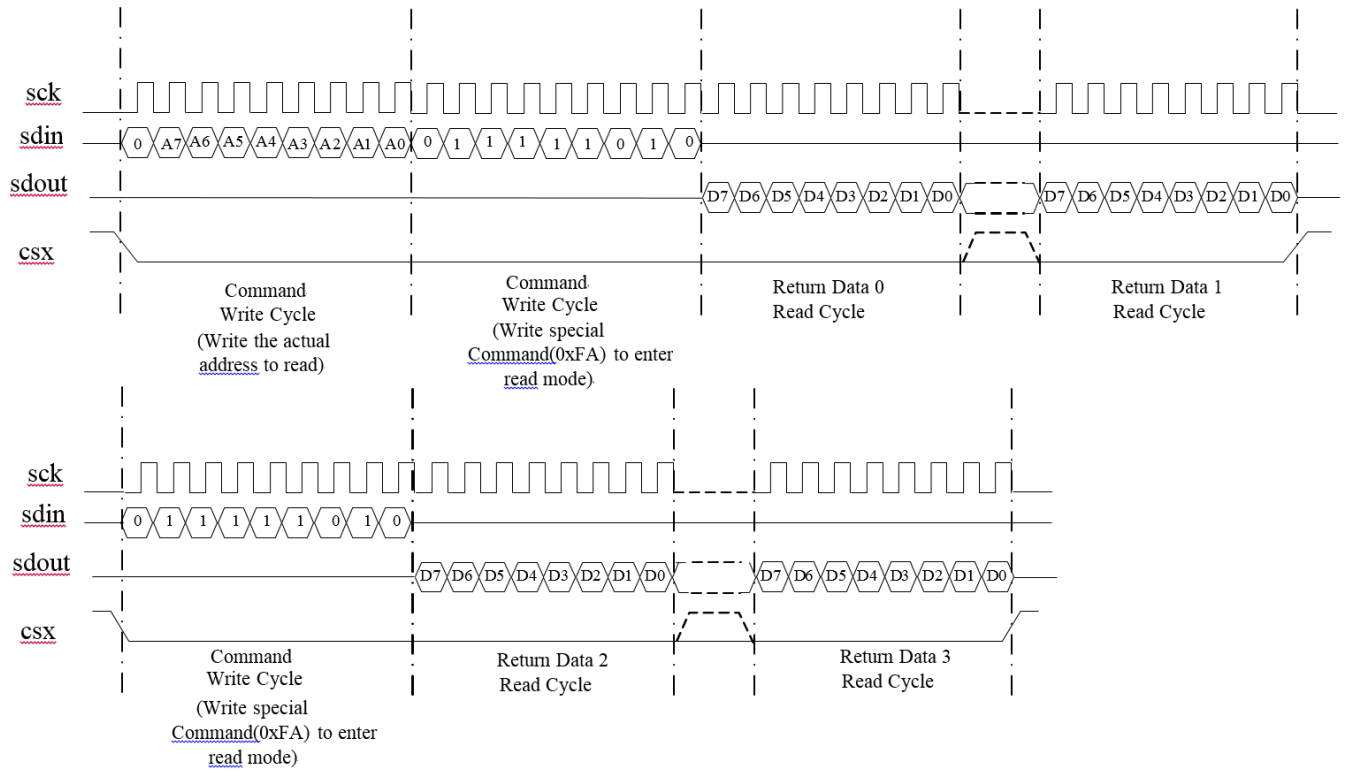


Figure 15-4: SPI Interface 8-bit 3 wire for read

15.2.3 SPI Interface 24-Bit 3 Wire

This interface consists of sck, sdin, sdout and csx. It only supports 16-bit data. Each cycle contains 16-bit data. The first cycle should be a write cycle to specify the register address for access. The subsequent cycles are read or write cycles for read or write operations.

The csx should be driven from 1 to 0 to start cycle and from 0 to 1 to end a cycle. During 1 operation, the application processor can have multiple write or read cycles. However, the csx must go from 0 to 1 at the end of each cycle.

Each cycle contains 24-bit data. Among the 24-bit data, the first 8-Bit are for control purpose and the next 16-bit are the actual data. The first 6 bits are the ID bit for SSD2829, which must be 011100. If this field does not match, the cycle will not be taken in. The 7th bit is the sdcx bit which is the same as the 8-Bit 3 wire interface. The 8th bit is the RW bit which indicates whether the current cycle is a read or write cycle. When RW is 1, the cycle is a read cycle. When RW is 0, the cycle is a write cycle.

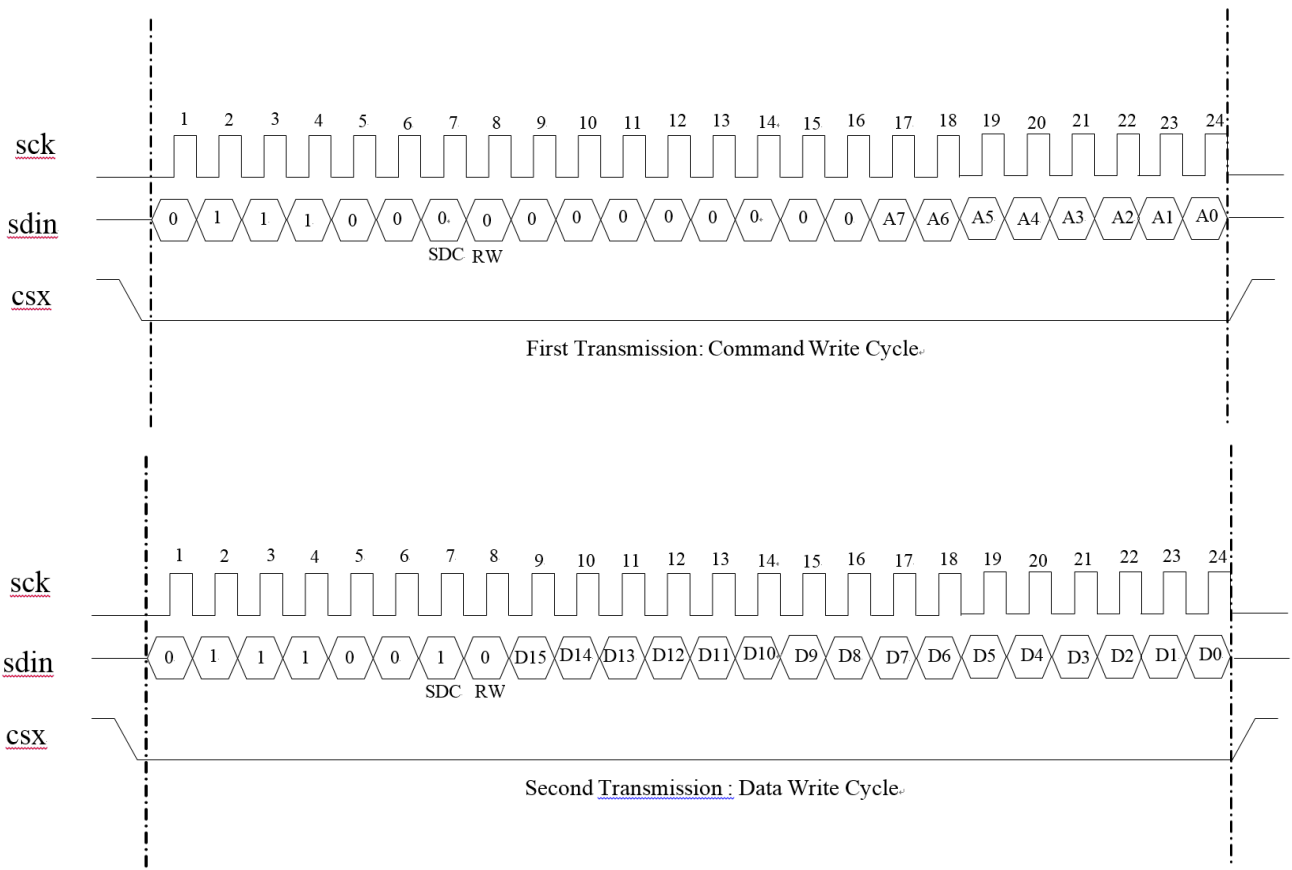


Figure 15-5: SPI Interface 24-bit 3 wire for write

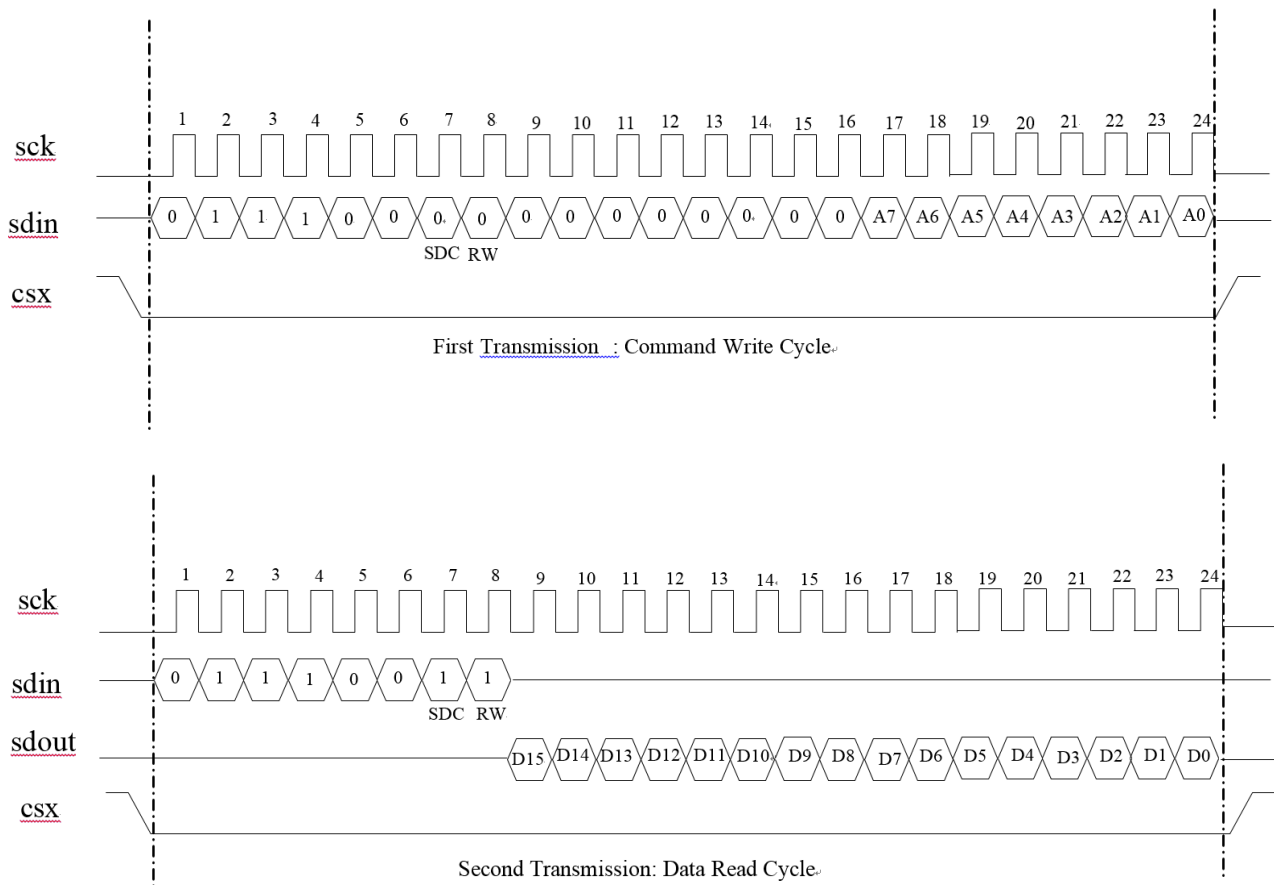


Figure 15-6: SPI Interface 24-bit 3 wire for read

15.3 MCU Interface

The SSD2829 supports three types of MCU interface,

- Type A, fixed E mode, DBI 2.0
- Type A, clocked E mode, DBI 2.0
- Type B, DBI 2.0

The selection is controlled by ps[4:2] pins.

PS[4:2] is for the MCU interface

- 000: 8-Bit MCU interface (MIPI DBI type B)
- 001: 16-bit MCU interface (MIPI DBI type B)
- 010: 8-Bit MCU interface (MIPI DBI type A, fixed E or clocked E mode)
- 011: 16-bit MCU interface (MIPI DBI type A, fixed E or clocked E mode)
- 100: 24-bit MCU interface (MIPI DBI type B)
- 110: 24-bit MCU interface (MIPI DBI type A, fixed E or clocked E mode)
- 101: Reserved
- 111: Reserved

MCU interfaces support 8-bit, 16-bit and 24-bit data bus. Below are the data pins used for each interface. For 8-Bit interface, the least significant byte should be written first. For 16 or 24-bit interfaces, the least significant word should be written first.

- data[15:0] for 16-bit interface
- data[23:0] for 24-bit interface

The local registers are always accessed in 16-bit data word for the data phase of the MCU cycle, irrespective of any bus width selection.

15.3.1 MCU Interface Type A, fixed E mode

This interface consists of data, rwx, dcx, e and csx. It supports 24-bit, 16-bit and 8-bit data bus. The first cycle should be a command write cycle to specify the register address for access. The subsequent cycles are read or write cycles for read or write operations.

'e' signal should be driven to 1 in this mode.

rwx indicates whether the operation is a read or a write operation. When rwx is 1, the operation is a read operation. When rwx is 0, the operation is a write operation.

During write operation, dcx indicates whether the operation is for data or command. When dcx is 1, the operation is for data. When dcx is 0, the operation is for command. During the read operation, the dcx should be 1.

During the write operation, data are sampled at the rising edge of csx. During read operation, data are provided at the falling edge of csx and the application processor should use the rising edge of csx to sample.

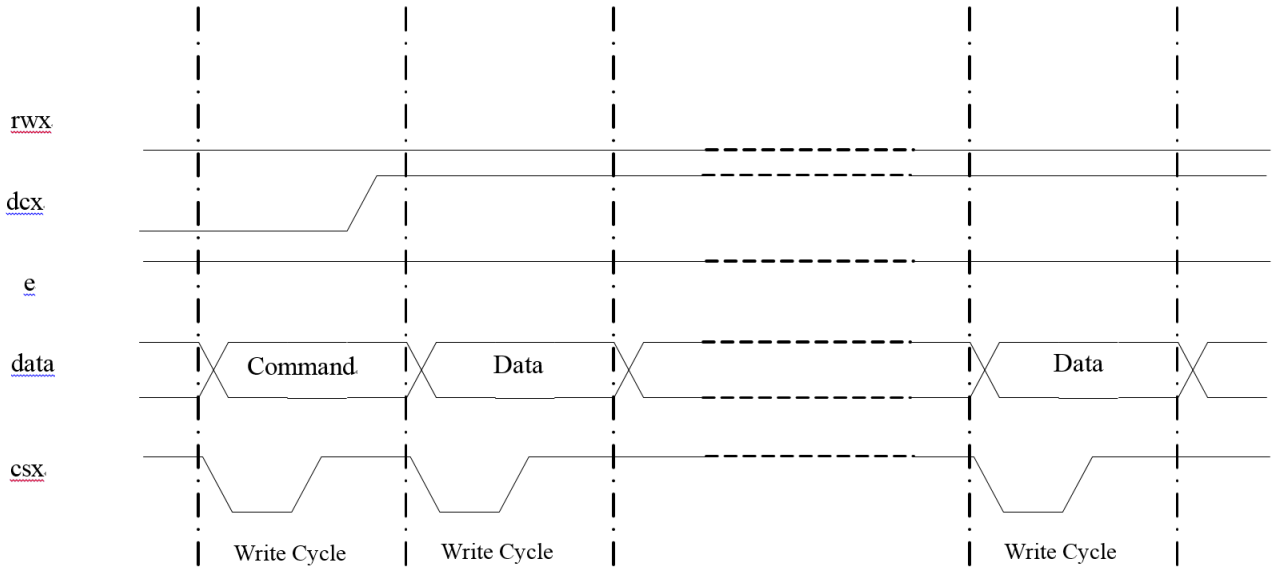


Figure 15-7: Illustration of Write Operation for Type A, Fixed E Mode Interface

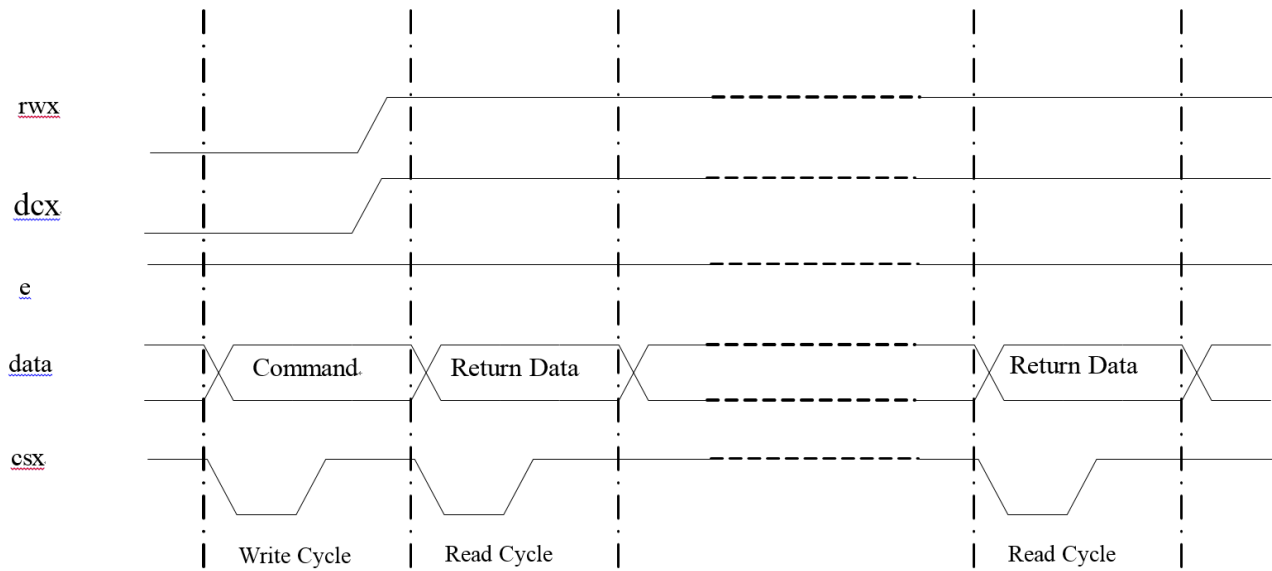


Figure 15-8: Illustration of Read Operation for Type A, Fixed E Mode Interface

15.3.2 MCU Interface Type A, Clocked E mode

This interface consists of data, rwx, dcx, e and csx. It supports 24-bit, 16-bit and 8-bit data bus. The first cycle should be a command write cycle to specify the register address for access. The subsequent cycles are read or write cycles for read or write operations.

csx should be driven to 0 in this mode.

rwx indicates whether the operation is a read or a write operation. When rwx is 0, the operation is a write operation. When rwx is 1, the operation is a read operation.

During write operation, dcx indicates whether the operation is for data or command. When dcx is 1, the operation is for data. When dcx is 0, the operation is for command. During the read operation, the dcx should be 1.

During the write operation, data are sampled at the falling edge of E. During read operation, data[23:0] are provided at the rising edge of e and the application processor should use the falling edge of e to sample.

Below is a diagram for illustration.

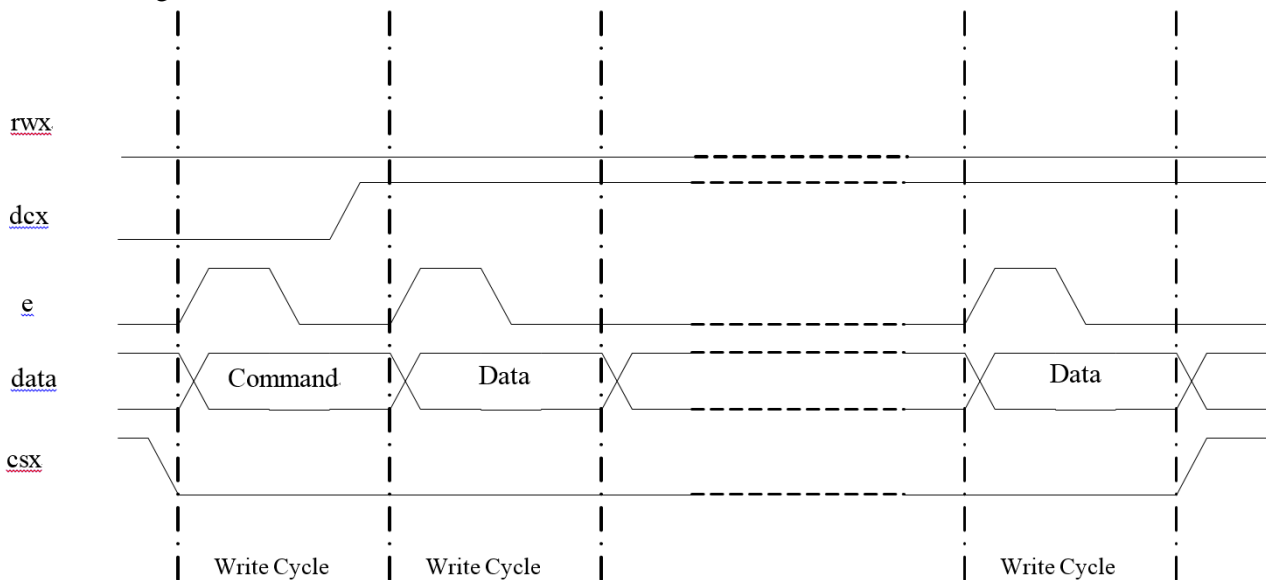


Figure 15-9: Illustration of Write Operation for Type A, Clocked E Mode Interface

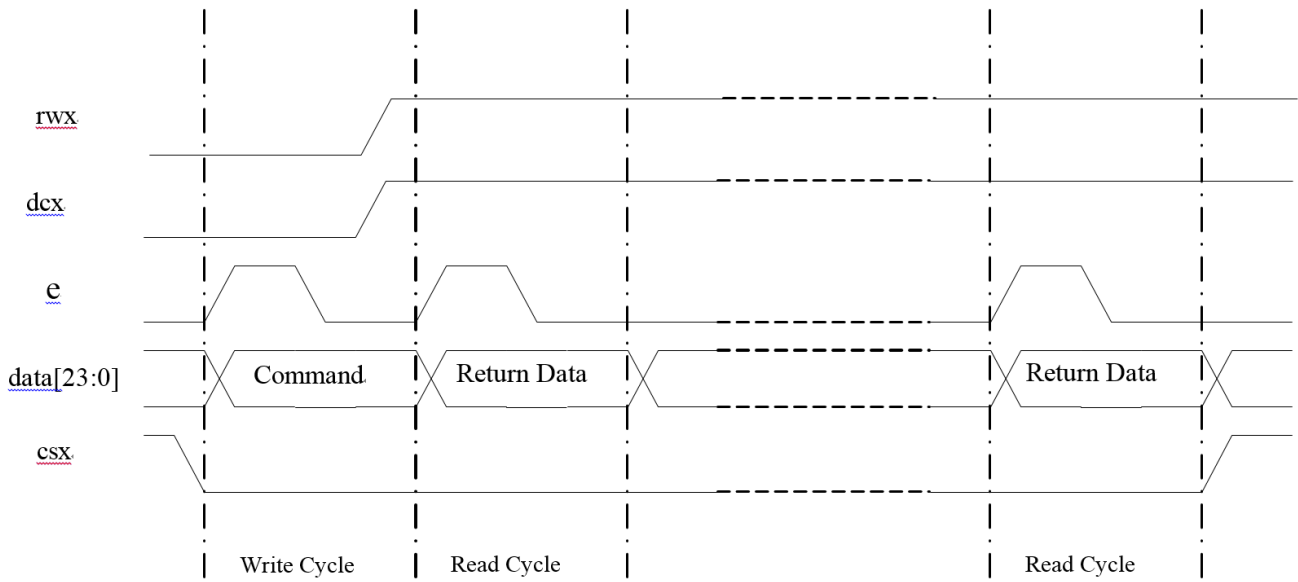


Figure 15-10: Illustration of Read Operation for Type A, Clocked E Mode Interface

15.3.3 MCU Interface Type B

This interface consists of data, rdx, wrx, dcx, and csx. It supports 24-bit, 16-bit and 8-bit data bus. The first cycle should be a command write cycle to specify the register address for access. The subsequent cycles are read or write cycles for read or write operations.

csx should be driven to 0 in this mode.

When wrx is driven from 1 to 0 and 0 to 1, the operation is a write operation. When rdx is driven from 1 to 0 and 0 to 1, the operation is a read operation.

During write operation, dcx indicates whether the operation is for data or command. When dcx is 1, the operation is for data. When dcx is 0, the operation is for command. During the read operation, the dcx should be 1.

During the write operation, data are sampled at the rising edge of wrx. During read operation, data[23:0] are provided at the falling edge of rdx and the application processor should use the rising edge of rdx to sample.

Below is a diagram for illustration.

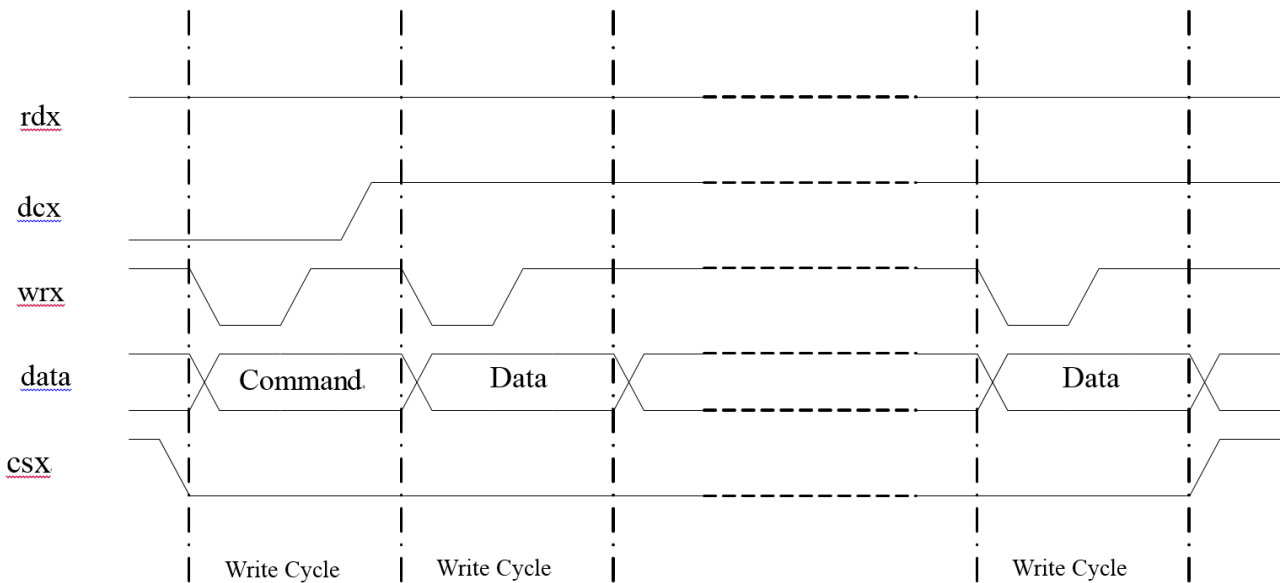


Figure 15-11: Illustration of Write Operation for Type B Interface

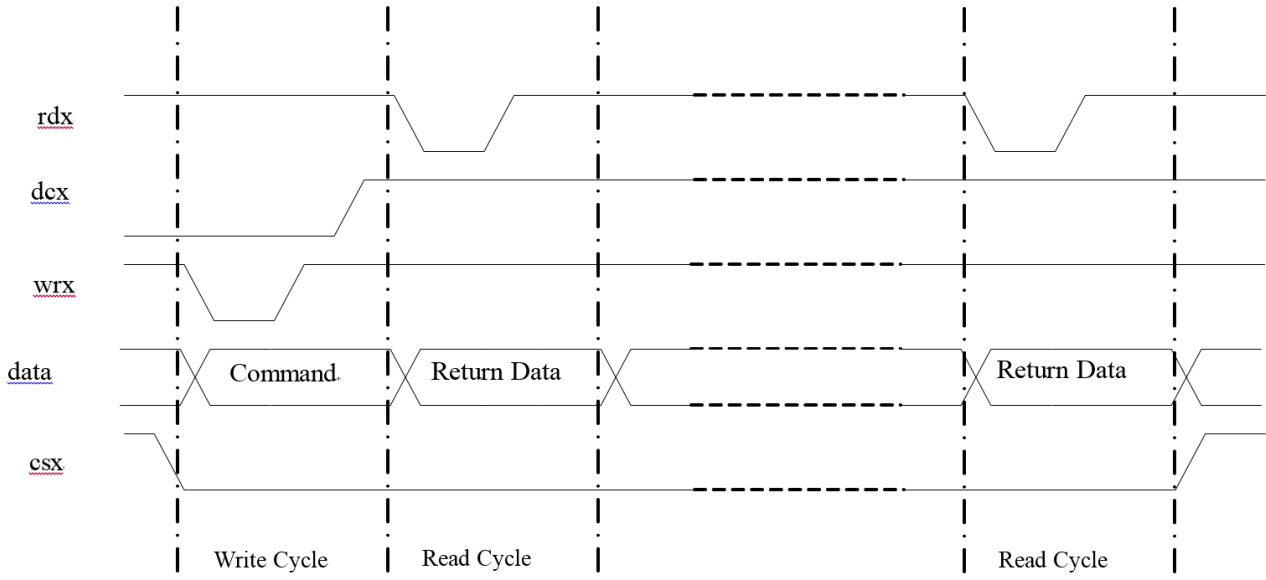


Figure 15-12: Illustration of Read Operation for Type B Interface

15.3.4 MCU Interface for MIPI Command Packet

Any write to the address ranges from 0x00 to 0xAF will be sent out as MIPI command packet. The type of packet, whether it is short or long packet, DCS or generic packet is determined by the SSD2829 local registers. Hence the user should program the local registers prior to any transmission at the MIPI link.

If the host wants to send any addresses in the range of 0xB1 to 0xFF to external MIPI receiver, it can do so using packet drop command in the 0xBF register.

In the first write cycle, only 8-Bit data are written into the SSD2829, as the command can only be 8-Bit. No matter whether the interface is 8-bit, 16-bit or 24-bit, lower 8-bits are used. Please refer to the table below.

Interface types	Data pins			
	D53-D30	D23-D16	D15-D8	D7-D0
24-bit	Don't care	Don't care	Don't care	Command
16-bit	Don't care	Don't care	Don't care	Command
8-bit	Don't care	Don't care	Don't care	Command

Table 15-9: MCU Interface Data Pin Mapping for Command Cycle

In the sub-sequent read or write cycles, command parameters can be written into the SSD2829. Depending on the interface width, different data pin mapping is adopted. Please refer to the table below.

When the number of parameters is not an integer of the width of the interface type, the remaining bytes should be put on the lower data buses at the last data cycle.

Interface types	Cycle	Data pins			
		D53-D30	D23-D16	D15-D8	D7-D0
24-bit	1st	Don't care	Parameter 3	Parameter 2	Parameter 1
	2nd	Don't care	Parameter 6	Parameter 5	Parameter 4
	3rd	Don't care	Parameter 9	Parameter 8	Parameter 7
16-bit	1st	Don't care	Don't care	Parameter 2	Parameter 1
	2nd	Don't care	Don't care	Parameter 4	Parameter 3
	3rd	Don't care	Don't care	Parameter 6	Parameter 5
8-Bit	1st	Don't care	Don't care	Don't care	Parameter 1
	2nd	Don't care	Don't care	Don't care	Parameter 2
	3rd	Don't care	Don't care	Don't care	Parameter 3

Table 15-10: MCU Interface Data Pin Mapping for Parameter Cycles

15.3.5 MCU Interface for Local Registers

The local registers for SSD2829 resided in the range from 0xB1 to 0xFF. There are 2 types of local registers, legacy registers and extended registers.

To expand certain field in the legacy registers, the data bits in that address is extended to 32-bit, or 4-bytes width from 2-bytes.

The extended registers can be accessed by indirect addressing through the address location 0xE0. The content of 0xE0 defines the 16-bits addresses and 32-bits data for the extended registers.

15.4 RGB Interface

SSD2829 supports RGB interface. The input is 48-bit wide and it supports 2-pixels per RGB module using SDR or DDR input pixel clock.

To support different bpp settings, the following data pins are used. For all cases, Red component should be at the upper bits and Blue component should be at the lower bits. The type of video packets supported for each RGB interface is shown below.

Data Bus	RGB format
[15:0]	16-bits per pixel for Pixel 1
[45:30]	16-bits per pixel for Pixel 2
[17:0]	18 bits per pixel for Pixel 1
[47:30]	18 bits per pixel for Pixel 2
[23:0]	24-bits per pixel for Pixel 1
[53:30]	24-bits per pixel for Pixel 2
[23:0]	Compressed Stream Data(lower)
[53:30]	Compressed Stream Data(Upper)

User can also send command mode data through SPI interface, during the video mode transmission. The data will be sent during the horizontal or vertical blanking period. Since the RGB and SPI interface are completely separated, the two interfaces can operate independently. The RGB interface is used to provide display data for the video mode. The SPI interface is used to program the local registers of SSD2829, or to send command across the link to the MIPI receiver.

2 supporting data type for compressed stream data:

- Compressed data - PPS (DT=0xA)
- Compression Mode (DT=0x7)

There is a register to be set if incoming MCU command bytes are to be packed as PPS, or Compression-Mode packet. All the parameters are carried in the PPS packet data, as defined by VESA standard.

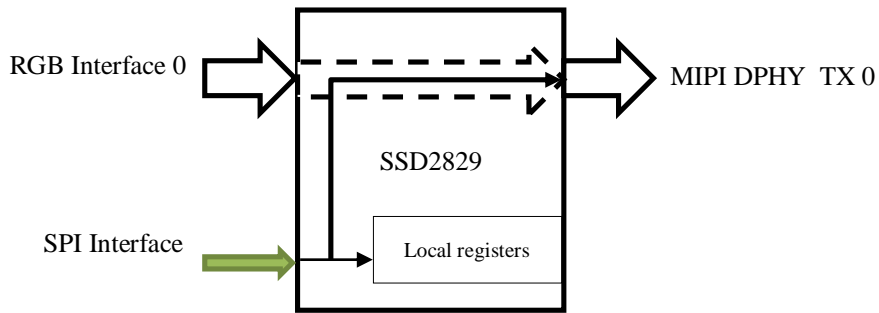
15.5 Video Mode Use Cases

15.5.1 RGB + SPI

For this mode, the user must set `if_sel[1:0]` to “00” to select the interface as a combination of RGB and SPI interface. The video data come from the RGB interface and the configuration is done through the SPI interface.

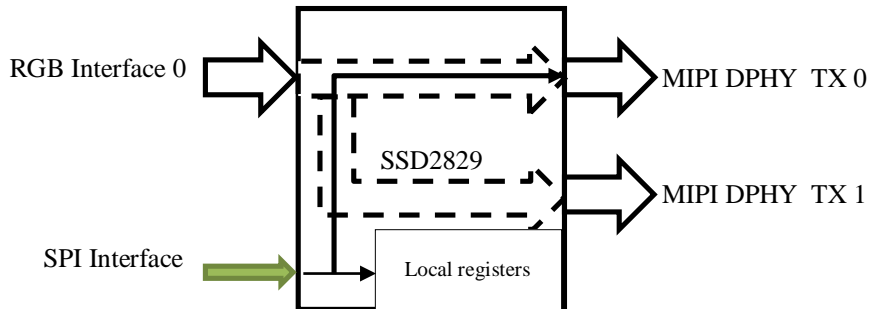
The possible video paths (and non-video command paths) supported in this mode are shown below. The SPI interface can be used to program local registers or transmit command packets during video blanking to MIPI output.

RGB Interface Input, Single MIPI Video Output



RGB Interface Input, Dual MIPI Video Output

This is either a split use case or a broadcast use case. For split use case, it can be either odd/even pixel split, or left/right image split



The user, first, needs to set the video parameters through registers programming with correct values. After programming those register fields, the user can turn on the RGB interface and enable the SSD2829 to start transmission. All three video mode sequence defined in the MIPI DSI specification are supported.

The PLL multiplication factor should be set such that the serial link data rate is faster than the incoming data rate. Please refer to the table below for the PLL settings.

Below is the diagram to illustrate the definition of all the fields.

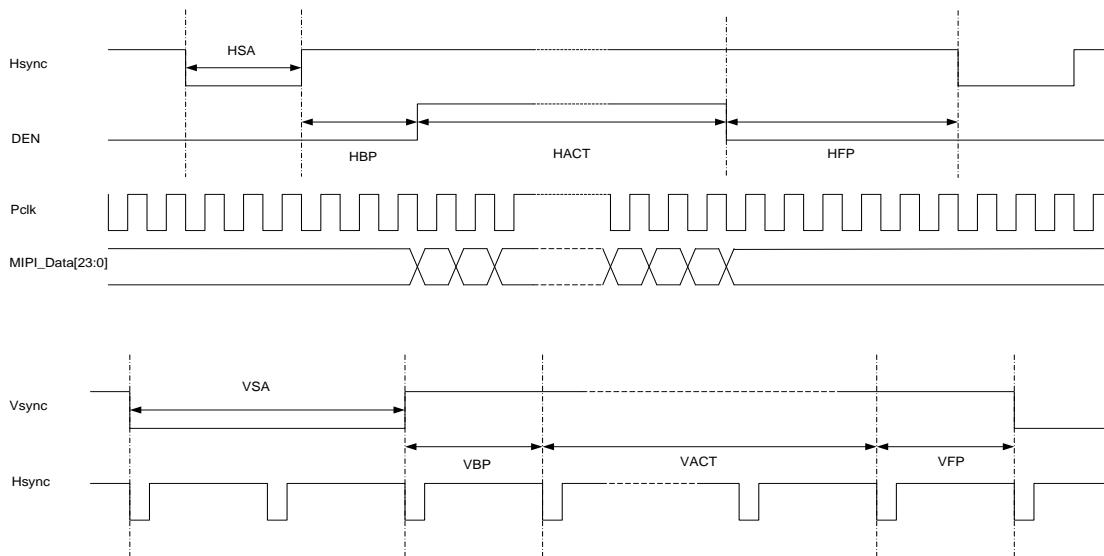


Figure 15-13: Illustration of RGB Interface Parameters for Non-burst Mode with Sync Pulses

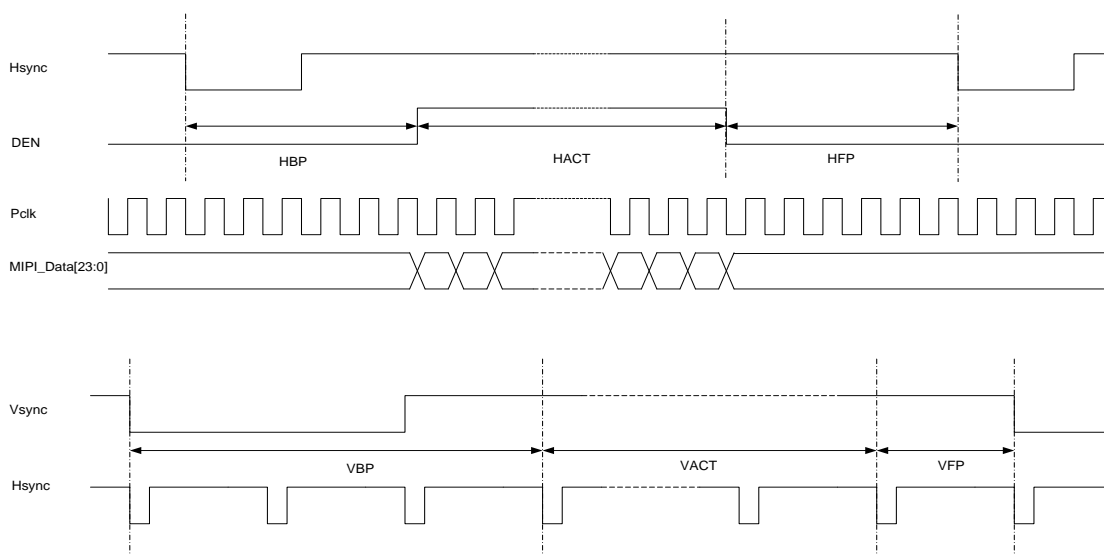


Figure 15-14: Illustration of RGB Interface Parameters for Non-burst Mode with Sync Events and Burst Mode

15.5.1.1 Interleaving Non-Video Packets with Video Packets

Non-video data can be transmitted during the vertical blanking of the video frames, or when **nvb** (in 0xB6 register) is set, during any BLLP period (including those in the horizontal blanking). It is recommended to send non-video data during vertical blanking.

The **nvd** and **blp** field (in 0xB6 command) determines how the non-video data is sent. See below table for illustration.

NVD	BLLP	Non-burst mode	Burst mode
0	0	<p>If there is no non-video data to send, the serial link will send blanking packet in HS mode during BLLP period.</p> <p>If there is non-video data to send, the non-video data will be sent in HS mode. Afterwards, the serial link will send blanking packet in HS mode for the remaining period of BLLP period.</p>	<p>If there is no non-video data to send, the serial link will enter LP mode during BLLP period.</p> <p>If there is non-video data to send, non-video data will be sent in HS mode. Afterwards, the serial link will enter LP mode for the remaining period of BLLP period.</p>
0	1	<p>If there is no non-video data to send, the serial link will enter LP mode during BLLP period.</p> <p>If there is non-video data to send, non-video data will be sent in HS mode. Afterwards, the serial link will enter LP mode for the remaining period of BLLP period.</p>	Same as non-burst mode.
1	x	The serial link will enter LP mode for BLLP mode. If there is non-video data to send, the data will be sent in LP mode at the beginning of BLLP period.	Same as non-burst mode.

15.5.2 Interrupt Operation

An interrupt signal `int` has been provided to interrupt the application processor so that it does not need to poll the status all the time. This will save the processing time of the application processor. `int` can be programmed to active high or active low, when the event has happened.

There are many sources that can be mapped to the interrupt signal. The user can select different source to perform different task. If more than 1 source is selected, the `int` signal will be asserted when the event for 1 of the sources has happened. In this case, the user needs to read the register **ISR** to determine what event has happened. The different sources can be enabled/disabled through register **ICR**. Below is the list of available interrupt sources and their usage.

RDR

To indicate that return data from one of the MIPI slave is available for read.

BTAR

To indicate whether the SSD2829 has the bus authority or not. It can be used after SSD2829 makes a BTA. If the MIPI slave has returned the bus authority back to SSD2829, the interrupt will be set to indicate so. Please note that, on power up, the bus authority is already on the SSD2829. Hence, the SSD2829 will show that it has the bus authority.

ARR

To indicate whether the SSD2829 has received the acknowledge response from the MIPI slave. The acknowledge response can either report error or not error. This is to be determined by the **ATR** bit.

The above three interrupts are provided to the user to handle reading data from the MIPI slave or getting acknowledgement response from the MIPI slave.

PLS

To indicate whether the PLL has been locked or not. If the PLL is not locked, the programming speed at the external interface must be slow. After changing the PLL setting or changing the reference clock source, the user also needs to use this interrupt to determine the PLL status.

On power up, only **PLS** interrupt is enabled. This is to let the user determine the programming speed before configuring the SSD2829.

LPTO

To indicate that there is LP RX time out.

HSTO

To indicate that there is HS TX time out.

The above two interrupts are provided to the user for error handling.

PO

To indicate whether the SSD2829 is ready to accept any data from the user. The SSD2829 has several internal buffers to hold the data written by the user. When the user writes after than the serial link speed, those buffers will be full. If the user still writes data to SSD2829, those data will be lost. The length of the payload of the next packet that the user is going to write is determined by **TDC**, **PST**, and **DCS** fields. The SSD2829 will use these fields to decide whether the user can write the next packet or not. Hence, after programming the above mentioned fields, the user needs to check the interrupt status before writing.

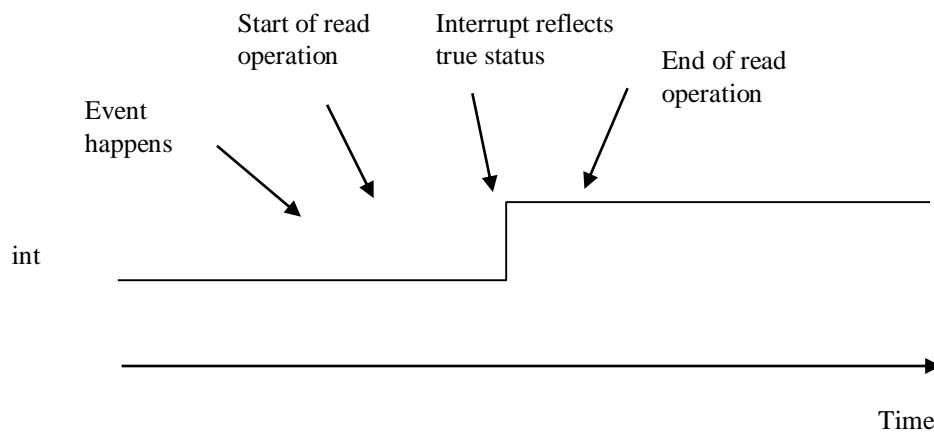
CBE, CBA, MLE, MLA

All these interrupts (CBE = command buffer empty, CBA = command buffer available, MLE = MCU line buffer empty, MLA = MCU line buffer available) are provided to indicate the status of the internal data

buffers. They are used if the user is familiar with the buffer management of the SSD2829. Otherwise, it is recommended to use the **PO** interrupt.

One important thing to note is the interrupt latency. The output interrupt signal does not change immediately after an operation. This is due to the internal processing of the SSD2829. For example, after changing the interrupt source from one to another, the output int level will remain at the old level for a short period after the programming is done. Another example is that after programming the **TDC** field, the interrupt will take a short period to reflect the correct **PO** status on int. There is always a delay between the actual event and the interrupt.

In order to guarantee that the user can get the correct interrupt, it is recommended that the user performs a read of any SSD2829 local register before taking in the interrupt signal or polling the interrupt status bits. The read operation will cover the interrupt latency period. Alternatively, the user can wait for certain amount of time to make sure the interrupt reflects the true status. Below is a diagram for illustration.



15.5.3 Internal Buffer Status

There are 2 types of buffers inside the SSD2829, which are MCU interface line buffer (ML) and MCU/SPI command interface buffer (CB).

The ML buffers are used to store the data (DCS command 0x2C and 0x3C) written through MCU interface when the if_sel is '01'. They are also used to store the video data written through RGB interface when the if_sel is '00'. However, since there is no flow control for the RGB interface video packets, the status is only valid for MCU interface.

For CB buffers, all command packets will be stored into them. They can store multiple packets, up to 4096 bytes in total. Below is a list of possible packets

- Generic Short Write Packet
- Generic Read Packet
- DCS Short Write Packet
- DCS Read Packet
- Generic Long Write Packet
- DCS Long Write Packet

In case of automatic partitioning, the packet length is determined by the **PST** field. It is not recommended to make the **PST** field so small.

When the if_sel is "00", the user can write the data through SPI interface. All packets will be written into the CB buffers. Hence, the user needs to check the corresponding interrupts. The usage of the interrupts is listed below.

CBE

To indicate that the Command buffer is empty.

CBA

To indicate that the Command buffer can hold at least 1 more packet. The user can write 1 such packet into CB buffer.

MLE

To indicate that MCU Long buffer is empty. Since the ML buffer can hold 2 packets, the user can write up to 2 such packets into ML buffer without needing to look at the interrupt status.

MLA

To indicate that the MCU Long buffer can hold at least 1 more packet. The user can write 1 such packet into ML buffer.

The interrupts mentioned here can be used as flow control between the application processor and the SSD2829. However, it requires the user to know the buffer operation well. The **PO** interrupt is a combination of the eight. It makes decision according to the parameters provided by the user for the next packet to be written. Hence, the user does not need to know which buffer is going to be used and how the buffer status is.

15.6 Command Mode Use Cases

MCU interface supports 8-bit, 16-bit and 24-bit data bus. To support different bus width, the following data pins of each MCU interface are used.

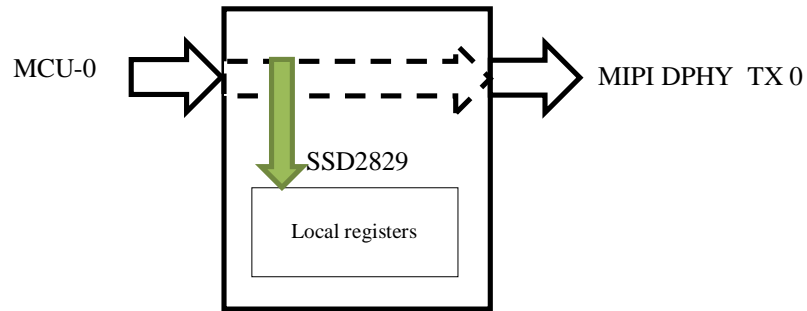
- data[7:0] for 8-bit interface.
- data[15:0] for 16-bit interface.
- data[23:0] for 24-bit interface.

The address range for the SSD2829 local register is from 0xB1 to 0xFF. The user can access the registers in this range to configure and control the SSD2829. For Generic packet that starts from 0xB1 to 0xFF, it can be written through the Packet Drop register. When the user writes data to it, the data will be sent over the serial link to the MIPI slave. The data packet sent will either be DCS or generic packet.

The following command mode use cases are possible:

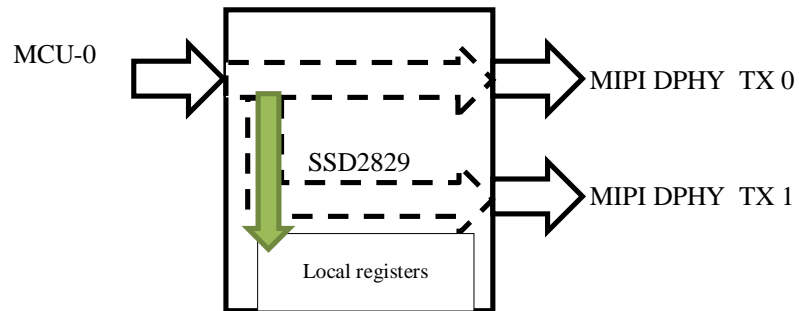
MCU Input, Single MIPI Command/Video Output

To select MCU(s) input, if_sel[1:0] needs to “01”.



MCU Input, Dual MIPI Command Output

This is a broadcast use case. To select MCU(s) input, if_sel[1:0] needs to “01”.



15.6.1 Write Operation

The SSD2829 can issue four kinds of packets for write operation, which are Generic Short Write Packet, Generic Long Write Packet, DCS Short Write Packet and DCS Long Write Packet. The VC ID of the outgoing packets can also be programmed through registers.

The SSD2829 needs to know the payload size of the outgoing packets. Hence, the user needs to program the corresponding control registers prior to sending the MIPI data.

To send a DCS or Generic Write Packet in address 0xB1 to 0xFF, the user needs to write the command/header and the payload to the Packet Data Drop register. If the size field is no more than 2 for Generic packet and 1 for DCS packet, the SSD2829 will send out DCS or Generic Short Write Packet with the correct type. Otherwise, DCS or Generic Long Write Packet will be sent out.

For DCS Write Packet, partition is supported for 0x2C or 0x3C DCS command. This is because the DCS command 0x2C and 0x3C are to write display data into the LCD panel display memory. The payload will be partitioned into a few packets where the payload of each packet is determined by the Partition register. The first byte is the DCS command and the following partition bytes are the payload. Only the last packet might contain less payload, as the total payload might not be integer multiple of partition size. If the incoming DCS command is 0x2C, the DCS command for the first packet is 0x2C and the DCS command for all other packets is 0x3C. If the incoming DCS command is 0x3C, the DCS command of all the packets is 0x3C.

For example, if the byte size field is 200 and partition field is 80, 3 packets will be sent. The first two have 80 bytes of payload. The last packet has 40 bytes of payload.

After performing a write operation, the user can optionally make a BTA to let the MIPI slave report its status. The SSD2829 will automatically make a BTA after each write operation.

15.6.2 Read Operation

The SSD2829 can issue two kinds of packets for read operation, which are Generic Read Packet, and DCS Read Packet. The bit **DCS** controls whether Generic Read Packet or DCS Read Packet will be sent out. The VC ID of the outgoing packets can also be programmed through registers.

Before the read packet is sent out, the SSD2829 will always send out the Set Maximum Return Size Packet. This is to limit the Read Response Packet sent by the MIPI slave such that there is no over flow. Two factors determine the maximum size. One is the limit of the SSD2829 and the other is the limit of the application processor. The user should choose the smaller one among these two limits to use as the maximum return size.

The parameter in the Set Maximum Return Size Packet is taken from local register. The user could program the Set Maximum Return Size Register before every read so that the correct value is sent through Set Maximum Return Size Packet. If the value is already the desired value, the user can choose not to program it. SSD2829 will always automatically send out Set Maximum Return Size Packet before the Read Packet.

To send a DCS Read or Generic Read Packet, the user just needs to write the DCS (as there is no parameter for DCS read) or Generic command, or write to Packet Drop Data register when the address is from 0xB1 to 0xFF.

Similar to the write operation, the Total Data Count Register field is used to determine the payload size of the outgoing packet. For DCS Read Packet, the payload is just the DCS command. There is no parameter associated. For Generic Read Packet, the SSD2829 will send out the correct packet type according to the Total Data Count value.

After sending out the read packet, the SSD2829 will automatically perform a BTA to wait for the Read Response Packet from the MIPI slave. The return data will be stored in a data register. No matter what read packet is sent out, there is only one packet returning data. Therefore, no matter whether the read is DCS read or Generic read, no matter what command is used in DCS read, the return data is always stored in the same data register. The user can read the data out when the read valid status bit is set to 1. After seeing read valid status bit been set to 1, the user should first check the number of bytes returned by the MIPI slave. By using this information, the user will know how many data should be read out from data register. After all the return data are read out, the read valid status bit will be set to 0 by the SSD2829.

Even the read valid status bit is set to 1, the user can choose not to read the data out from data register. The user can continue performing another operation. Once the user does so, the read valid status bit will be set to 0 by the SSD2829.

There might be Acknowledge and Error Report Packet sent by the MIPI slave at the same time.

Under certain circumstance, the MIPI slave might only send back Acknowledge and Error Report Packet without any data. Thus, the read valid status bit will not be set. Therefore, it is recommended that the user check the bus turnaround bit first. The bus turnaround bit is to indicate whether the MIPI slave has passed the bus authority back to the SSD2829 or not. Only when the bus turnaround is 1, there might be return data. If there is no return data, the user should follow [Acknowledgement Operation](#) to handle the acknowledgement.

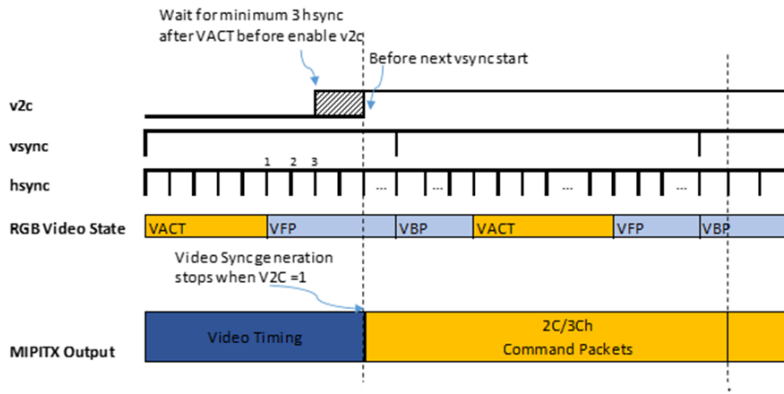
15.7 Video to Command Mode conversion

The MIPI TX output of SSD2830 can convert video packets to command mode packets (i.e. 0x2C command for the first video line, and 0x3C commands for the subsequent video lines).

▶ Switching of Video mode to V2C mode

1. Set SCM.0x0010.bit16 – v2c during VFP of incoming video timing

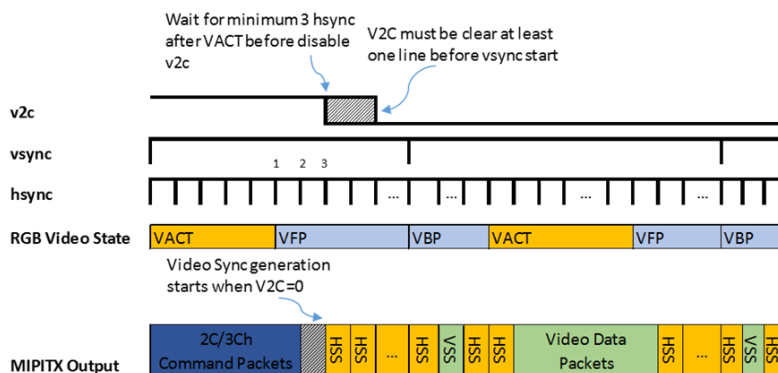
To ensure all video data has been transmitted on the TX link, host shall wait for min of 3 hsync after VACT before setting v2c



▶ Switching of V2C mode to Video mode

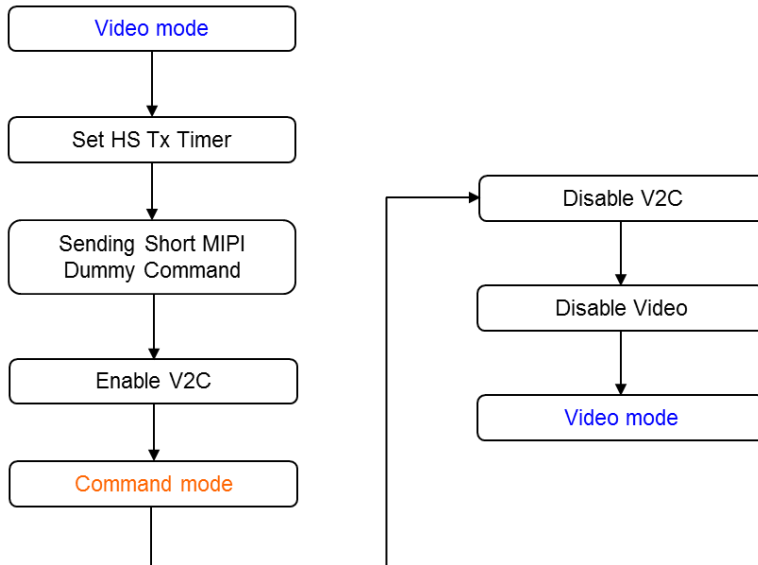
1. Ensure 0xB7.bit3 – VEN is cleared
2. Clear SCM.0x0010.bit16 – v2c during VFP of incoming video timing

To ensure all video data has been transmitted on the TX link, host shall wait for min of 3 hsync after VACT before clearing v2c



15.7.1 Example of switching sequence

Register adr	Data [31:24]	Data [23:16]	Data [15:8]	Data [7:0]	Description
0xCF	0x00	0x00	0x00	0x06	// set HS TX timer
0xD0	0x00	0x00	0x9A	0x4F	// set HS TX timer
0x0010	0x4C	0x91	0x0E	0x00	// enable v2c
0x0010	0x4C	0x90	0x0E	0x00	// disable v2c



Note:

For this feature, it is important to note that once Video-to-Command mode is turned on, the MIPI would be in HS link when there is active video input. It would remain in HS link until the mode is turned off. Since there is a HS timeout built-in SSD2830, user is recommended to switch off Video-to-command mode periodically (e.g. after a 2-3 frames of conversion)

15.8 State machine operation

The state machine controls the sending and receiving of the data packet over the serial link. It is triggered by an event from the application processor or the received data. Once a complete packet is written into the SSD2829 buffer, it will send it out through the serial link. The user can write 1 to bit COP (cancel-operation) at any time to cancel all the current operations.

When the SSD2829 is in high speed mode, the serial link is mainly used to send display data. If there is no data to send, it will send null packet to maintain the serial link timing. If the application processor does not have display data to send in a long period, it can turn the serial link into low power mode by setting the register bit HS to 0.

When the SSD2829 is in low power mode, the serial link is mainly used to send command and configuration data. If there are no data to be sent, the SSD2829 will be idle in LP TX stop mode.

The user can also enter sleep mode by writing 1 to SLP bit. Once the SLP bit is set to 1, the SSD2829 will automatically enter LP mode. If the HS bit is 1, the SSD2829 will clear the HS bit to 0 and switch from HS to LP mode. Afterwards, the SSD2829 will issue ULPS trigger message to the MIPI slave to enter Ultra Low Power State. During this state, the clock to SSD2829 can be switched off such that the SSD2829 only consumes leakage current. This will save the overall system power consumption. When exiting from the ULPS, the user can write 0 to SLP bit. However, the user should be aware that the time to exit from ULPS is relatively long. Hence, the user cannot perform any data transmission before the system exits from ULPS.64

During reception, the state machine will disassemble the incoming data packet and put the received register content into the internal buffer for reading out. Once all the data are put into the buffers, it will set the register bit RDY to 1 to indicate that the SSD2829 is ready for read. The total number of received bytes will also be stored in RDCR.

After the reception is completed, the SSD2829 will perform a bus turn around to enter the transmission mode. It will always come back to the LP TX stop mode before it enters any other

15.9 PHY controller Operation

PHY-controller controls the operation of the analog transceiver. It controls whether the serial link is in high speed or low power mode and whether it's in transmit or receive mode.

In transmit mode, the PHY controller will perform the handshaking procedure when switching between LP mode and HS mode according to the control from PCU. During HS mode, PHY controller will provide parallel data and clock to the analog transmitter for transmitting in differential signals serially. During LP mode, the PHY controller will provide the serial data to the analog transmitter.

In receive mode, the PHY controller will detect the handshaking sequence in LP mode and inform the PCU. Once entering escape mode, it will collect the serial data from analog receiver and put them in parallel form for the PCU to process.

Various timing parameter has been defined in MIPI DPHY specification. The timing parameters are a mixture of absolute time and cycle counts. Hence, for different operation speed, there is different timing requirement. The user can adjust the value in these registers to have different DPHY timing parameters. This gives maximum flexibility for different operation speed.

15.10 PLL Configuration

The PLL output frequency is calculated by the equations below,

$$f_{PRE} = \frac{f_{IN}}{MS}$$

$$f_{OUT} = f_{PRE} * NS$$

where the f_{IN} is the input reference clock frequency and f_{OUT} is the output clock frequency of the PLL.

The clock frequencies need to satisfy the constraint below.

$$5MHz < f_{IN} \leq 40MHz$$

$$5MHz < f_{REF} \leq 100MHz$$

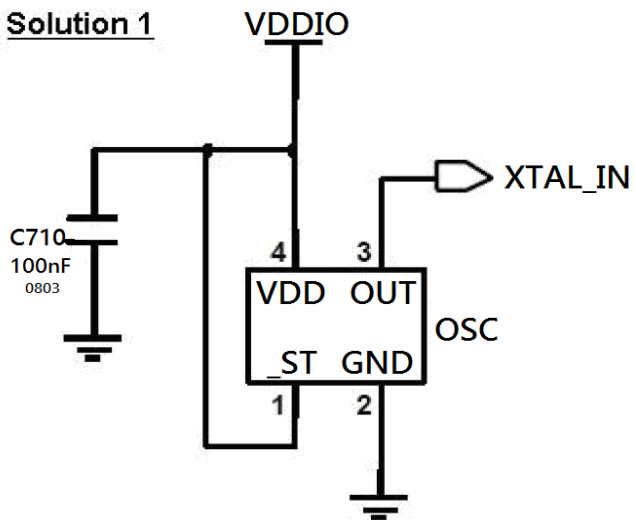
$$62.5MHz < f_{OUT} \leq 1250MHz$$

The value of FR, MS, and NS are controlled in the register **PLCR**.

All the values of FR, MS and NS can only be modified when the PLL is turned off (**PEN=0**). Hence, the sequence for modification is to turn off PLL, modify register value, and turn on PLL.

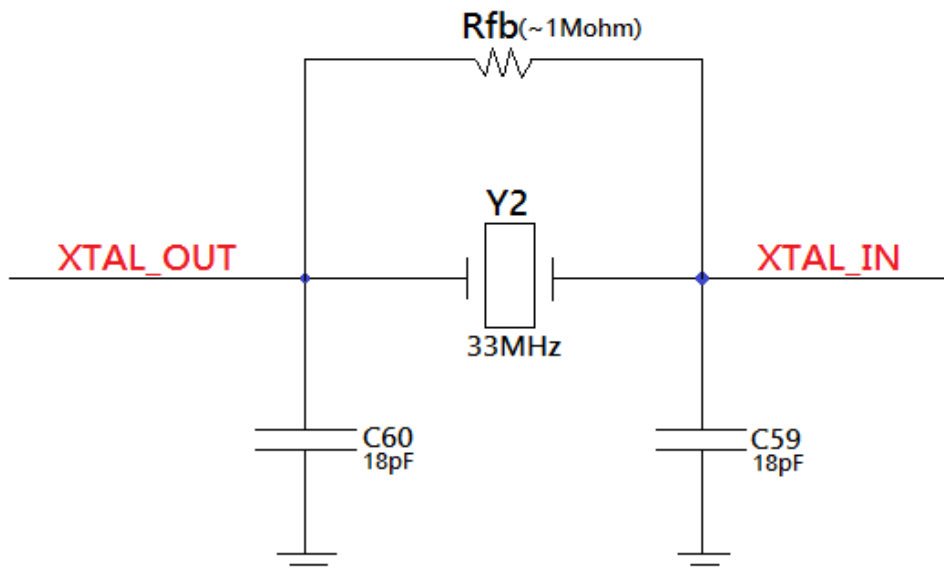
15.11 Clock Source Example

Solution 1



Pin	Connection
XTAL_OUT	Open

Solution 2



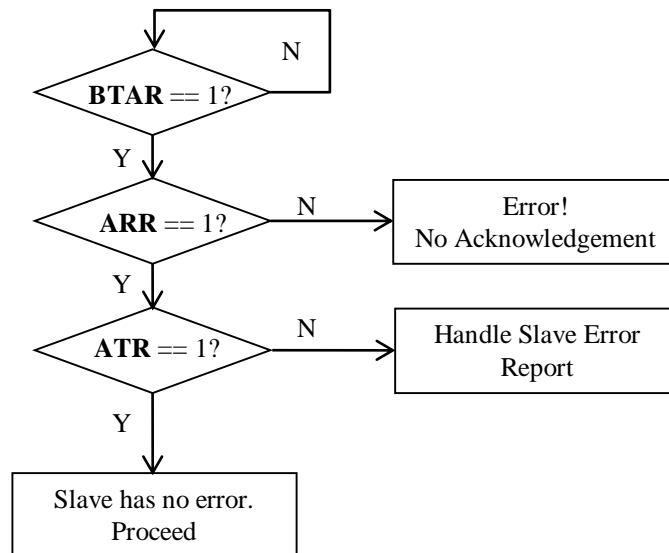
15.12 Acknowledgement Operation

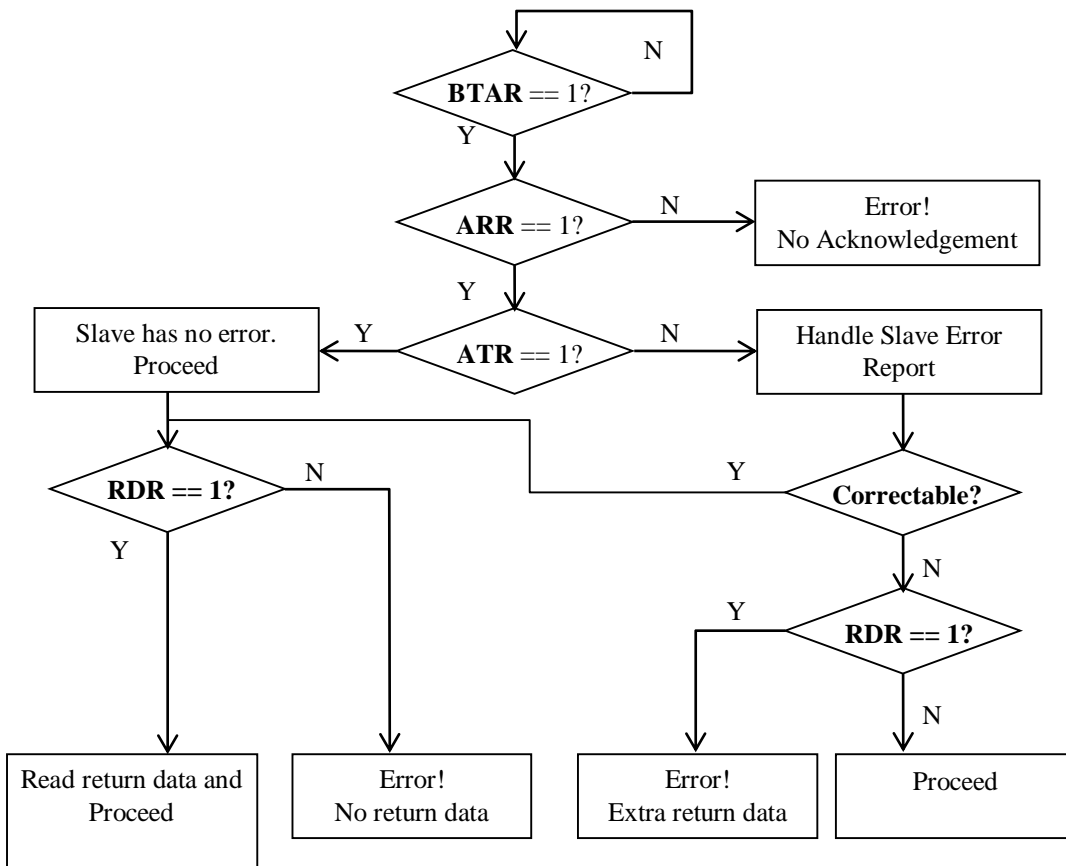
The SSD2829 can perform a BTA to give the bus authority to the MIPI slave and let it report its status. The BTA can be enabled by setting **FBW** bit to 1 and performing a write operation, or just performing a read operation. After the MIPI slave passes the bus authority back, the SSD2829 will set bit **BTAR** to 1.

If there is no error on the slave side, the MIPI slave will return ACK trigger message, if the packet before BTA is a write packet. The MIPI slave will return Read Response Packet, if the packet before BTA is a read packet. In this case, after receiving the response from the MIPI slave, SSD2829 will set bit **ARR** and **ATR** bits to 1. **ARR** indicates that response has been received from MIPI slave. **ATR** indicates that the MIPI slave has reported no error with ACK trigger message. Consequently, the register **ARSR** will be cleared to 0.

If there is error on the slave side, the MIPI slave will return Acknowledge and Error Report packet, if the packet before BTA is a write packet. The MIPI slave will return Read Response Packet (depending on the error type) and Acknowledge and Error Report Packet, if the packet before BTA is a read packet. In this case, after receiving the response from the MIPI slave, SSD2829 will set bit **ARR** bit to 1 and **ATR** bits to 0. **ARR** indicates that response has been received from MIPI slave. **ATR** indicates that the MIPI slave has sent Acknowledge and Error Report Packet instead of ACK trigger message. Therefore, the MIPI slave has reported error. The error reported by the MIPI slave will be stored in register **ARSR**. The user can read this register to see what error the MIPI slave has encountered.

For the detailed description of each error bit, please refer to MIPI DSI specification. Below are the flow charts of handling the MIPI slave acknowledgement. They are just for reference.

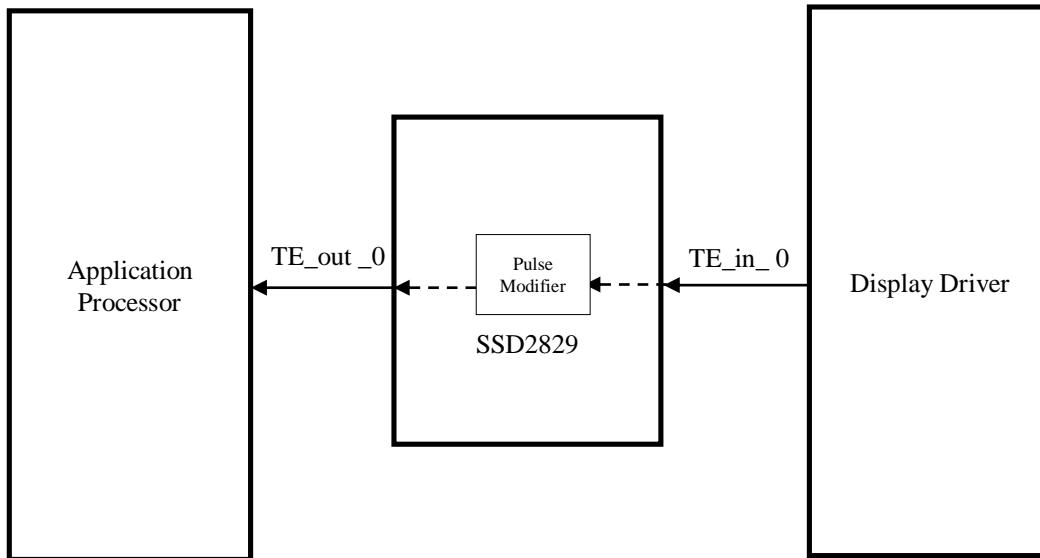




15.13 Tearing Effect (TE) Operation

15.13.1 Using IO Pins

SSD2829 takes 1 TE_in pin, reshape them and output them to 1 TE_out pin. The programmable parameters are the pulse width, polarity, and delay.



15.13.2 Using MIPI Escape Mode

The TE operation is to perform a BTA following the previous BTA without transmitting anything in between. The bus is handed to the MIPI slave for providing TE information. After getting the TE event from display driver, the MIPI slave will pass the bus authority back to the SSD2829 by using BTA trigger message.

The TE operation can be enabled by setting bit **FBT** and **FBW** to 1 before writing the last command to the MIPI slave. Afterwards, the application processor can instruct the SSD2829 to send out the last command in a write packet. Since **FBW** is 1, the SSD2829 will automatically perform a BTA after the write operation. The MIPI slave will response and pass the bus authority back. Since **FBT** is 1, the SSD2829 will perform another BTA without sending any data. This makes the MIPI slave enter TE mode.

The MIPI slave will send a TE trigger message back when it gets the TE event. After getting the trigger message, the SSD2829 will set the TE pin to 1 to indicate that TE event has been received. At the same time, bit **TER** will be set to 1. The application processor can write 1 to this bit to clear it. As the TE trigger message only determines when the TE pin will be set to 1, a counter is used to determine when to set the TE pin to 0. The TE pin will be set to 0, once the counter reaches the value in **TEC**. The counter uses the reference clock to do counting.

If the MIPI slave does not send back the TE trigger message but just perform a BTA to pass the bus back, the SSD2829 will automatically perform another BTA to pass the bus to the MIPI slave again. It will continue do so until the MIPI slave respond with the TE trigger message, or the **FBT** bit is set to 0, or the LP RX timer expires.

If the MIPI slave does not send back the TE trigger message and still holds the bus, the user can set the bit **FBC** to 1 to force a bus contention. After bus contention is resolved, the slave will pass the bus back to SSD2829.

SSD2829 supports dual MIPI TX port. Hence there would be 2 TE outputs accordingly.

15.14 Contention Detection and Timer Operation

Two timers have been defined in SSD2829 to resolve the potential contention issue on the bus. The two timers are the HS TX timer and LP RX timer. Please see the register description for the detailed usage.

Whenever the SSD2829 sees a contention being detected, it will reset the state machine and enter the default mode, which is LP TX idle mode. The data line will be kept at LP11.

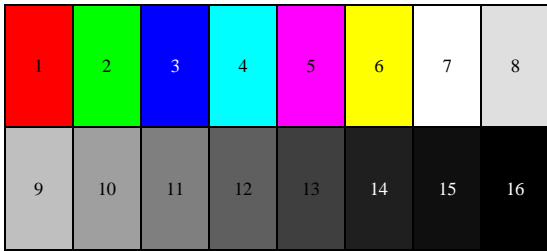
15.15 Video BIST

SSD2829 supports the following pattern generation for video BIST.

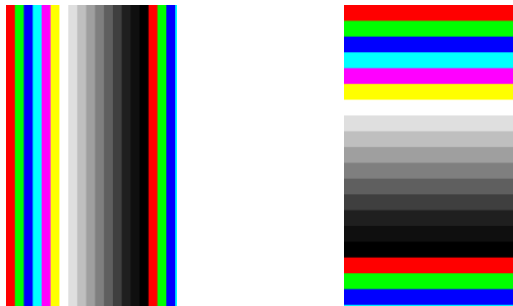
Parameter Required: 17 bytes

Offset	7	6	5	4	3	2	1	0	Default	R/W	Description
0	vb_mode						vb_cspf	vb_en	0x00	R/W	vb_mode : VBIST test mode selection vb_cspf: Enable color 1 & 2 swapping on every frame. (Note: This feature is intended to be used together with vb_mode=0xC. The usage in other vb_mode is not verified.) vb_en : VBIST enable
1	vb_repeat_cnt_h								0x00	R/W	Repeat count
2	vb_repeat_cnt_l								0x3C	R/W	
3	vb_r1								0x00	R/W	RGB value for color 1
4	vb_g1								0x00	R/W	
5	vb_b1								0x00	R/W	
6	vb_r2								0x00	R/W	RGB value for color 2
7	vb_g2								0x00	R/W	
8	vb_b2								0x00	R/W	
9	vb_x_start_h								0x00	R/W	
10	vb_x_start_l								0x00	R/W	
11	vb_x_end_h								0x00	R/W	
12	vb_x_end_l								0x00	R/W	
13	vb_y_start_h								0x00	R/W	
14	vb_y_start_l								0x00	R/W	
15	vb_y_end_h								0x00	R/W	
16	vb_y_end_l								0x00	R/W	

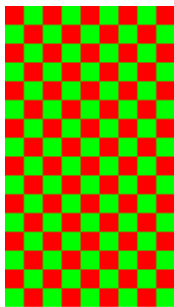
MODE 0x0		Parameter	Usage	
Solid color loop in sequential order of 16 pre-defined color of (0XFF0000, 0X00FF00, 0X0000FF, 0X00FFFF, 0XFF00FF, 0XFFFF00, 0XFFFFFF, 0XDFDFDF, 0XBFBFBF, 0X9F9F9F, 0X7F7F7F, 0X5F5F5F, 0X3F3F3F, 0X1F1F1F, 0X0F0F0F, 0X000000)		1	vb_repeat_cnt_h	Number of frames pause between different colors
		2	vb_repeat_cnt_l	
		3	vb_r1	<i>Not used</i>
		4	vb_g1	
		5	vb_b1	
		6	vb_r2	
		7	vb_g2	<i>Not used</i>
		8	vb_g2	
		9	vb_x_start_h	<i>Not used</i>
		10	vb_x_start_l	
		11	vb_x_end_h	<i>Not used</i>
		12	vb_x_end_l	
		13	vb_y_start_h	<i>Not used</i>
		14	vb_y_start_l	
		15	vb_y_end_h	<i>Not used</i>
		16	vb_y_end_l	



MODE 0x1, 0x2		Parameter	Usage	
Vertical (mode 0x1) / Horizontal (mode 0x2) repeating 16 colors bars with configurable bar width. Color repeating order are (0XFF0000, 0X00FF00, 0X0000FF, 0X00FFFF, 0XFF00FF, 0XFFFF00, 0XFFFFFF, 0XDFDFDF, 0XBFBFBF, 0X9F9F9F, 0X7F7F7F, 0X5F5F5F, 0X3F3F3F, 0X1F1F1F, 0X0F0F0F, 0X000000)		1	vb_repeat_cnt_h	Color bar width in pixels (MODE 0x1 only : Must be even number)
		2	vb_repeat_cnt_l	
		3	vb_r1	<i>Not used</i>
		4	vb_g1	
		5	vb_b1	
		6	vb_r2	
		7	vb_g2	<i>Not used</i>
		8	vb_g2	
		9	vb_x_start_h	<i>Not used</i>
		10	vb_x_start_l	
		11	vb_x_end_h	<i>Not used</i>
		12	vb_x_end_l	
		13	vb_y_start_h	<i>Not used</i>
		14	vb_y_start_l	
		15	vb_y_end_h	<i>Not used</i>
		16	vb_y_end_l	

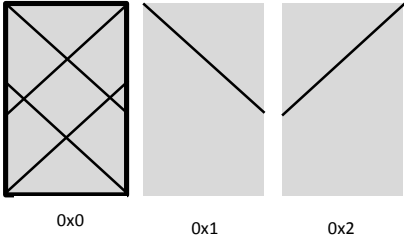


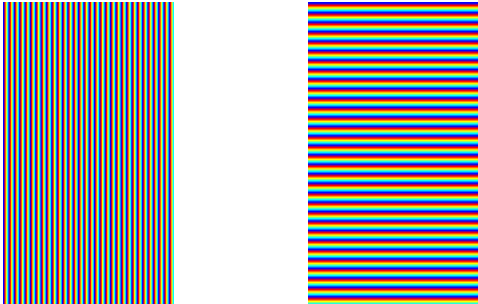
MODE 0x3		Parameter	Usage	
Checker box with configurable width (≥ 2) and color.		1	vb_repeat_cnt_h	Box width (≥ 2 , must be even number)
		2	vb_repeat_cnt_l	
		3	vb_r1	Color 1 RGB value
		4	vb_g1	
		5	vb_b1	
		6	vb_r2	
		7	vb_g2	Color 2 RGB value
		8	vb_g2	
		9	vb_x_start_h	<i>Not used</i>
		10	vb_x_start_l	
		11	vb_x_end_h	<i>Not used</i>
		12	vb_x_end_l	
		13	vb_y_start_h	<i>Not used</i>
		14	vb_y_start_l	
		15	vb_y_end_h	<i>Not used</i>
		16	vb_y_end_l	

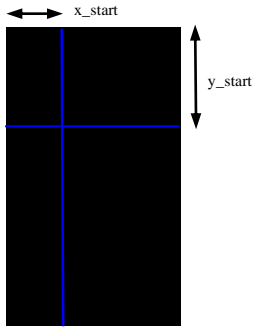


MODE 0x4, 0x5		Parameter	Usage	
<p>Horizontal (0x4) or vertical (0x5) gradient ramp with programmable line width and color increment value.</p> <p> $r1,g1,b1 = (0,0,0)$ $r2,g2,b2 = (1,1,1)$ $repeat_cnt = 1$ </p> <p> $r1,g1,b1 = (0,0,0)$ $r2,g2,b2 = (63,0,0)$ </p> <p style="text-align: center;">MODE 0x4 MODE 0x5</p>		1	vb_repeat_cnt_h	For Mode 0x4 - # of pixels for each color step. NOTE: It must be an even number. 0 – 1 pixel. 2 – 2 pixels. 4 – 4 pixels. ...
		2	vb_repeat_cnt_l	For Mode 0x5 - # of lines for each color step. 0 – 1 line. 1 – 1 line. 2 – 2 lines. ...
		3	vb_r1	Start color (common for mode 0x4, 0x5)
		4	vb_g1	
		5	vb_b1	Color increment value for each step (common for mode 0x4, 0x5)
		6	vb_r2	
		7	vb_g2	
		8	vb_g2	
		9	vb_x_start_h	<i>Not used</i>
		10	vb_x_start_l	<i>Not used</i>
		11	vb_x_end_h	<i>Not used</i>
		12	vb_x_end_l	<i>Not used</i>
		13	vb_y_start_h	<i>Not used</i>
		14	vb_y_start_l	<i>Not used</i>
		15	vb_y_end_h	<i>Not used</i>
		16	vb_y_end_l	<i>Not used</i>

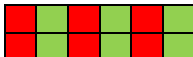
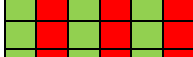
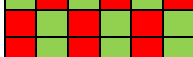
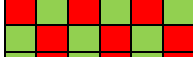
MODE 0x6		Parameter	Usage	
<p>Solid filled rectangle with configurable position, size and foreground / background color</p>		1	vb_repeat_cnt_h	<i>Not used</i>
		2	vb_repeat_cnt_l	<i>Not used</i>
		3	vb_r1	Foreground color
		4	vb_g1	
		5	vb_b1	Background color
		6	vb_r2	
		7	vb_g2	
		8	vb_g2	
		9	vb_x_start_h	Rectangle's left boundary (Must be even number)
		10	vb_x_start_l	
		11	vb_x_end_h	Rectangle's right boundary (Must be even number)
		12	vb_x_end_l	
		13	vb_y_start_h	Rectangle's top boundary
		14	vb_y_start_l	
		15	vb_y_end_h	Rectangle's bottom boundary
		16	vb_y_end_l	

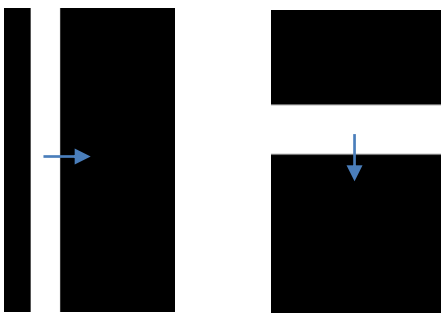
MODE 0x7		Parameter	Usage
Single pixel width full size rectangle with two 45° cross touching screen corners. Or single 45° diagonal line drawn from top left / top right corner. Foreground and background color are configurable.		1	vb_repeat_cnt_h
		2	vb_repeat_cnt_l
		3	vb_r1
		4	vb_g1
		5	vb_b1
		6	vb_r2
		7	vb_g2
		8	vb_g2
		9	vb_x_start_h
		10	vb_x_start_l
		11	vb_x_end_h
		12	vb_x_end_l
		13	vb_y_start_h
		14	vb_y_start_l
		15	vb_y_end_h
		16	vb_y_end_l

MODE 0x8, 0x9		Parameter	Usage
Vertical (0x8) or Horizontal (0x9) repeating color bars with width of 1 pixel per color. Color repeating order is [C1, !C2, !C1, C2]		1	vb_repeat_cnt_h
		2	vb_repeat_cnt_l
		3	vb_r1
		4	vb_g1
		5	vb_b1
		6	vb_r2
		7	vb_g2
		8	vb_g2
		9	vb_x_start_h
		10	vb_x_start_l
		11	vb_x_end_h
		12	vb_x_end_l
		13	vb_y_start_h
		14	vb_y_start_l
		15	vb_y_end_h
		16	vb_y_end_l

MODE 0xA		Parameter	Usage
Single pixel width vertical and horizontal line with configurable foreground and background color		1	vb_repeat_cnt_h
		2	vb_repeat_cnt_l
		3	vb_r1
		4	vb_g1
		5	vb_b1
		6	vb_r2
		7	vb_g2
		8	vb_g2
		9	vb_x_start_h
		10	vb_x_start_l
		11	vb_x_end_h
		12	vb_x_end_l
		13	vb_y_start_h
		14	vb_y_start_l
		15	vb_y_end_h
		16	vb_y_end_l

MODE 0xB		Parameter	Usage
This mode is not used.		1 to 16	Not used

MODE 0xC		Parameter	Usage	
Check box with configurable color, vertical offset and vertical repeat count. (Original single pixel checkbox can be obtained by setting offset=0 & repeat=0) Vertical Offset = 1  Vertical Repeat = 2  Vertical Repeat = 2  Vertical Repeat = 2 		1	vb_repeat_cnt_h	Vertical repeat in rows. 0: 1 line. 1: 2 lines. ...
		2	vb_repeat_cnt_l	...
		3	vb_r1	Color 1 RGB value
		4	vb_g1	
		5	vb_b1	Color 2 RGB value
		6	vb_r2	
		7	vb_g2	Color 2 RGB value
		8	vb_g2	
		9	vb_x_start_h	<i>Not used</i>
		10	vb_x_start_l	
		11	vb_x_end_h	<i>Not used</i>
		12	vb_x_end_l	
		13	vb_y_start_h	Vertical Offset in rows. (Must be <= Vertical repeat) 0: "vertical repeat" - 0 lines. 1: "vertical repeat" - 1 lines. ... Vertical repeat: 0 line. (Same as 0)
		14	vb_y_start_l	...
		15	vb_y_end_h	<i>Not used</i>
		16	vb_y_end_l	

MODE 0xD, 0xE		Parameter	Usage	
Vertical (0xD) or Horizontal (0xE) moving bar with configurable speed, width, step (with direction) and foreground / background color. 		1	vb_repeat_cnt_h	Number of frames pause between steps
		2	vb_repeat_cnt_l	...
		3	vb_r1	Foreground color RGB value
		4	vb_g1	
		5	vb_b1	Background color RGB value
		6	vb_r2	
		7	vb_g2	Background color RGB value
		8	vb_g2	
		9	vb_x_start_h	Move step (For mode 0xD, must be even number, signed)
		10	vb_x_start_l	...
		11	vb_x_end_h	Bar width (For mode 0xD, must be even number)
		12	vb_x_end_l	...
		13	vb_y_start_h	Move step (For mode 0xE, signed)
		14	vb_y_start_l	...
		15	vb_y_end_h	Bar width (For mode 0xE)
		16	vb_y_end_l	...

MODE 0xF		Parameter	Usage	
Full screen solid fill with configurable color.		1	vb_repeat_cnt_h	<i>Not used</i>
		2	vb_repeat_cnt_l	
		3	vb_r1	Solid fill color RGB value
		4	vb_g1	
		5	vb_b1	<i>Not used</i>
		6	vb_r2	
		7	vb_g2	<i>Not used</i>
		8	vb_g2	
		9	vb_x_start_h	<i>Not used</i>
		10	vb_x_start_l	
		11	vb_x_end_h	<i>Not used</i>
		12	vb_x_end_l	
		13	vb_y_start_h	<i>Not used</i>
		14	vb_y_start_l	
		15	vb_y_end_h	<i>Not used</i>
		16	vb_y_end_l	

15.16 Pixel Peek

SSD2829 supports pixel peek, which allows user to peek at the pixel value on a programmable pixel location in the video frame. The pixel location can be configured to be marked out on the screen (through SSD2829 MIPI TX output) through a cursor (example shown below).

Note:

Pixel peek can only be supported for the following modes:

For single RGB0 input and 2 DSI_TX output(1 to 2)

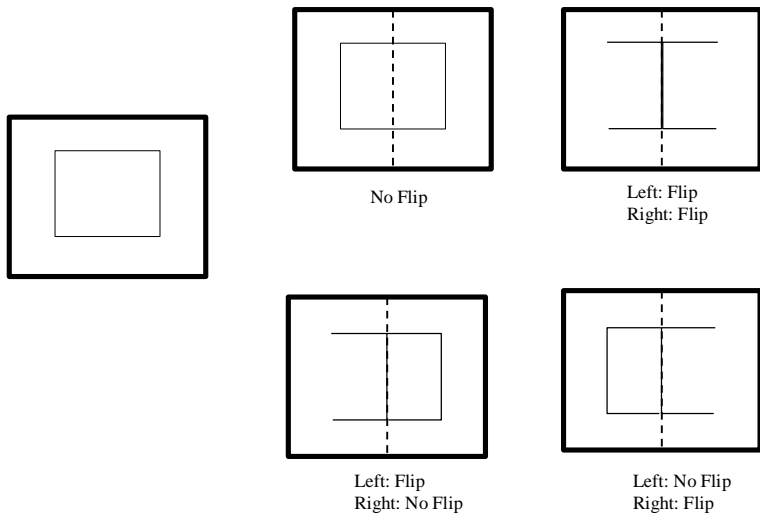
RICR6.RGB_PACK_SEQ = 1: Left/Right split. pixel[0] to pixel[n/2-1] on DSI_TX0, pixel[n/2] to pixel[n-1] on DSI_TX1.



- The cursor shown crosses at the (x,y) location programmed by the user.
- The cursor is programmed to be visible, with 'blue' color.
- The actual pixel value of the location is stored in the register for user to read-back

15.17 Image Flipping (Horizontal)

Each of the dual MIPI TX can be configured to perform horizontal flip independently of each other. For example:



16 PACKAGE INFORMATION

16.1 QFP 128 pins (14mm x 14mm)

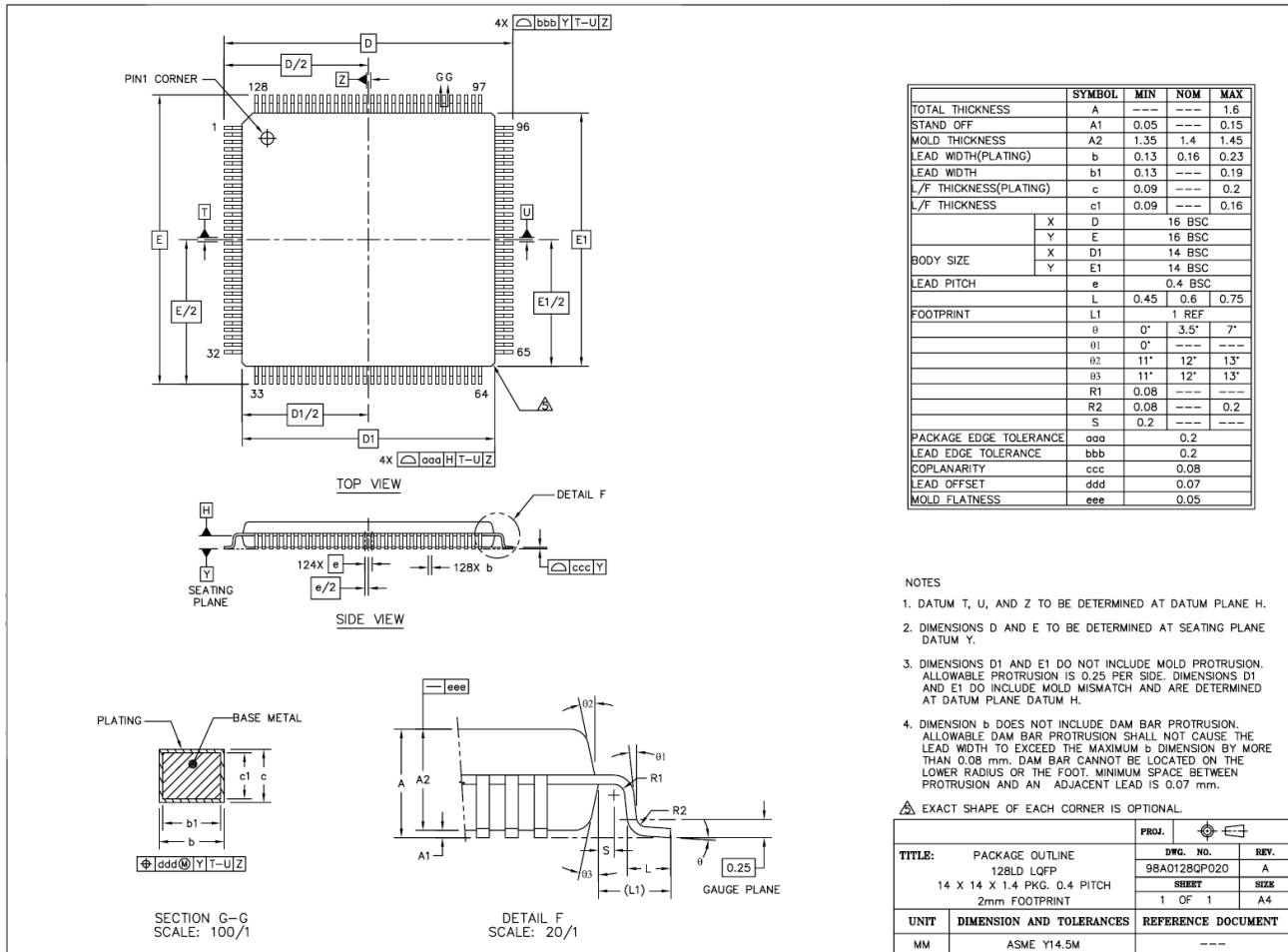


Figure 16-1: Package Information – LQFP 128 Pins

Solomon Systech reserves the right to make changes without notice to any products herein. Solomon Systech makes no warranty, representation or guarantee regarding the suitability of its products for any particular purpose, nor does Solomon Systech assume any liability arising out of the application or use of any product or circuit, and specifically disclaims any, and all, liability, including without limitation consequential or incidental damages. “Typical” parameters can and do vary in different applications. All operating parameters, including “Typical” must be validated for each customer application by the customer’s technical experts. Solomon Systech does not convey any license under its patent rights nor the rights of others. Solomon Systech products are not designed, intended, or authorized for use as components in systems intended for surgical implant into the body, or other applications intended to support or sustain life, or for any other application in which the failure of the Solomon Systech product could create a situation where personal injury or death may occur. Should Buyer purchase or use Solomon Systech products for any such unintended or unauthorized application, Buyer shall indemnify and hold Solomon Systech and its offices, employees, subsidiaries, affiliates, and distributors harmless against all claims, costs, damages, and expenses, and reasonable attorney fees arising out of, directly or indirectly, any claim of personal injury or death associated with such unintended or unauthorized use, even if such claim alleges that Solomon Systech was negligent regarding the design or manufacture of the part.



The product(s) listed in this datasheet comply with Directive 2011/65/EU of the European Parliament and of the council of 8 June 2011 on the restriction of the use of certain hazardous substances in electrical and electronic equipment and People’s Republic of China Electronic Industry Standard GB/T 26572-2011 “Requirements for concentration limits for certain hazardous substances in electronic information products (电子电器产品中限用物質的限用要求)”. Hazardous Substances test report is available upon request.

<http://www.solomon-systech.com>