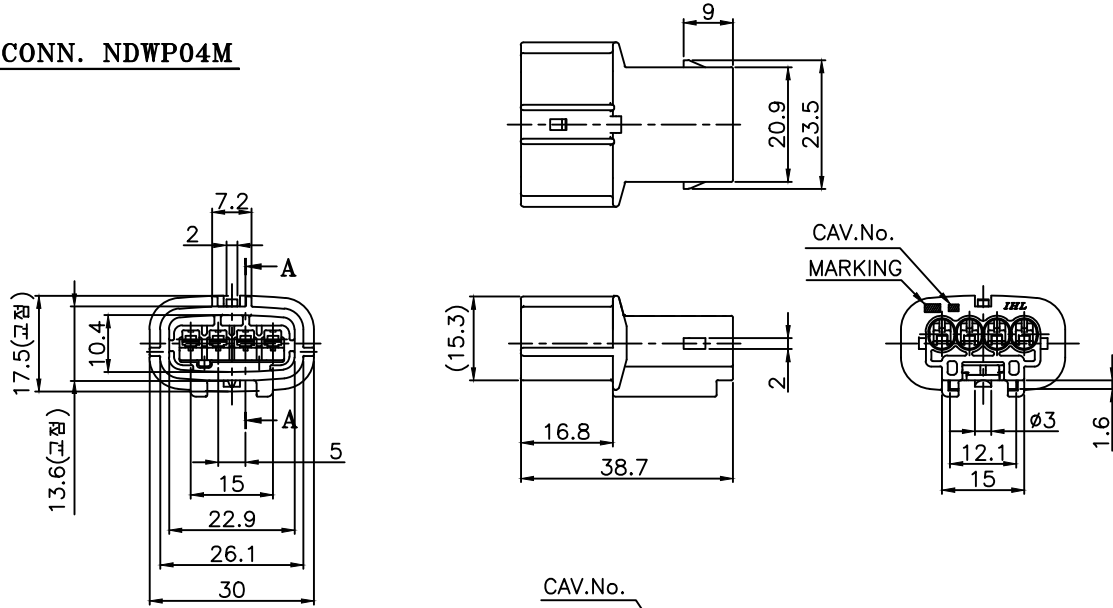
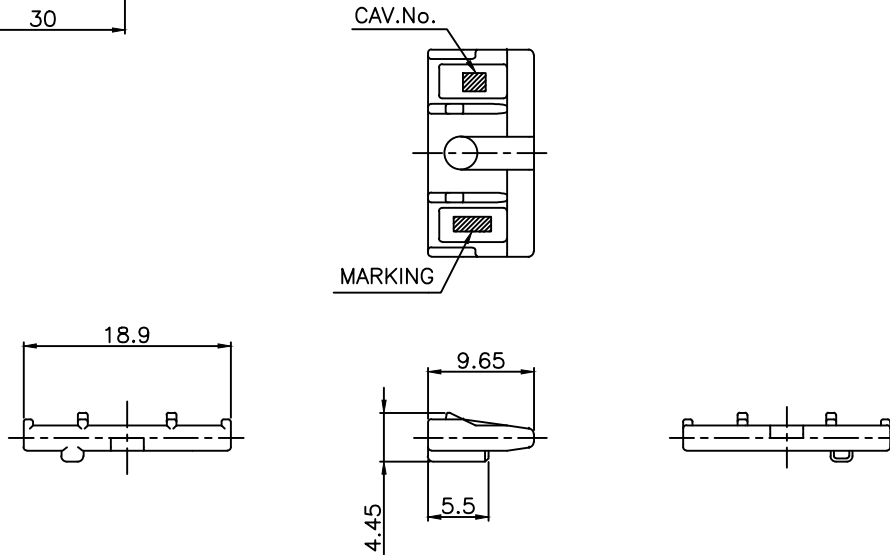


CUSTOMER DRAWING

①② CONN. NDWP04M



③ F/H NDWP04M



- 주 기 -

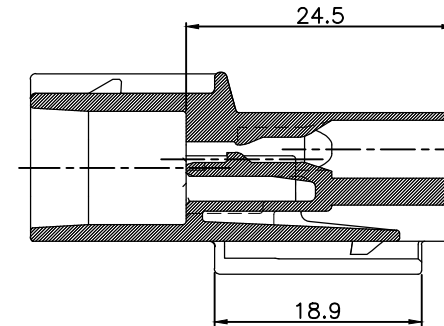
1. MARKING 및 CAV. NO는 당사 규정에 의하여 각인 할 것.
2. 상대 MATCHING CONNECTOR : NDWP CONN. RECEP#.
3. ASSY 부품
 - 1) FRONT HOLDER : HD021-04100
 - 2) TERMINAL

적용 현선(SQ)	PART NAME	PART NO.
AV,AVS,AVSS 0.3~0.5 / AVX,AEX 0.5	NMWP-M-S	MT091-63080
AV,AVX,AEX,AVS,AVSS 0.75~0.85sq, AESSKF0.75~0.85sq, 0.61sq	NMWP-M-SM	TN021-00200
AV,AVX,AEX,AVS,AVSS 1.25sq~2.0sq	NMWP-M-M	MT091-63280
AV,AVS,AVSS 0.3~0.5 / AVX,AEX0.5	NMWP-M-S-Au	MT091-63080
AV,AVX,AEX,AVS,AVSS 0.75~0.85sq, AESSKF0.75~0.85sq, 0.61sq	NMWP-M-SM-Au	TN021-00210
AV,AVX,AEX,AVS,AVSS 1.25sq~2.0sq	NMWP-M-M-Au	MT091-63280

3) WIRE SEAL

적용 현선(SQ)	PART NAME	PART NO.
AV,AVS 0.3 / AVSS 0.3~0.85	W/S MWP-0.3	RS220-01100
AV 0.5,AVSS1.25 / AVS,AVX,AEX0.5~0.85	W/S MWP-SS	RS220-04100
AV 0.85,AVS 1.25	W/S MWP-S	RS220-02100
AVS,AVSS 2.0 / AV,AVX,AEX 1.25~2.0	W/S MWP-W	RS220-03100
적용 SEAL PIN	NMWP S/P	PZ001-15022

4. 본 부품은 방수형 CONNECTOR임.



SECTION A-A(2/1)

③	F/H NDWP04M-OR	HD021-04100	ORANGE	PBT
②	CONN. NDWP04M-B-GY	HD011-04720	GRAY	PBT
①	CONN. NDWP04M-B	HD011-04020	BLACK	PBT
NO.	PART NAME	PART NO.	COLOR	MATERIAL

THIRD ANGLE PROJECTION	A	1/1(2/1)	SSJ	SSJ	CJW
TOLERANCE	SCALE	DESIGN	DRAWN	CHECKED	APPROVED

CJW	05.07.28	-	△	신 규	SSJ
승인	DATE	NOTE NO.	SYM	ALTERATION	담당
DRAWING NAME			CONN. NDWP04M-B		
DRAWING NO.			HD011-04020-C01		

GENERAL TOLERANCE							
	10MAX	50MAX	100MAX	150MAX	200MAX	200VR	ANGLE
A	±0.2	±0.3	±0.5	±0.8	±1.0	±1.4	±30'

KUM 케이유엠