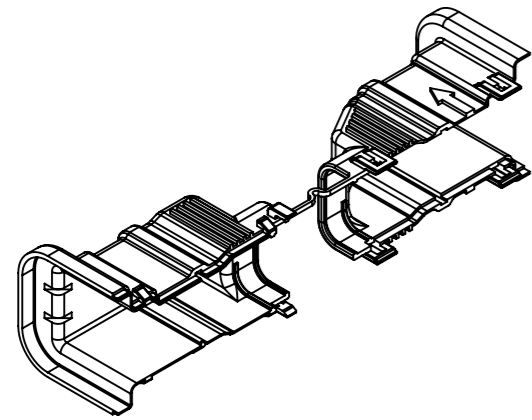
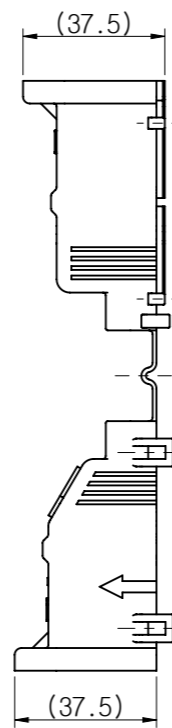
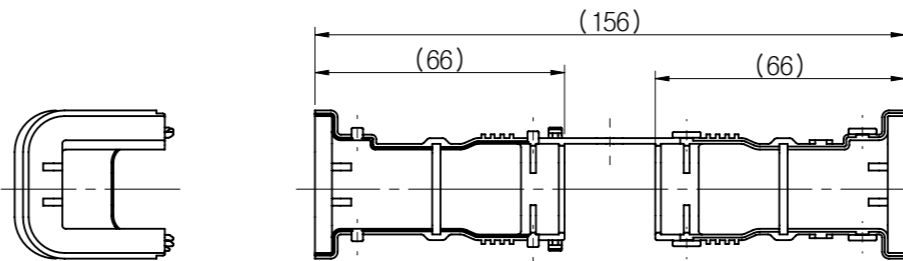
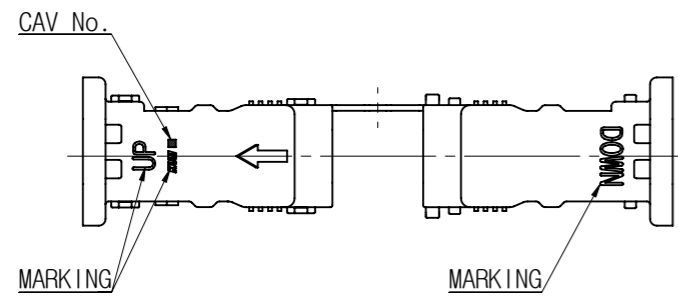
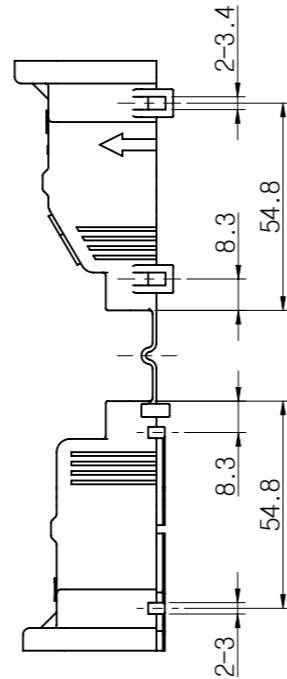


CUSTOMER DRAWING



ISO VIEW



- NOTE -
1. BEFORE USING, CHECK THE HARMFUL CRACK, BURR, ETC.
 2. GENERAL TOLERANCES - SEE BLOW.
 3. MARKING & CAV No. BY AS GENERAL RULE OF KUM.
 4. APPLICATION ASSY CONNECTOR : HP741-54020

GENERAL TOLERANCE									
	10MAX	30MAX	50MAX	70MAX	100MAX	120MAX	250MAX	250VR	ANGLE
A	±0.15	±0.2	±0.3	±0.4	±0.5	±0.75	±0.9	±1.4	±30'

COVER 0250611HY54M-B		GV181-54020		BLACK	PP
PART NAME		PART No.		COLOR	MATERIAL
THIRD ANGLE PROJECTION	A	-	MDK	KDK	CJW
	TOLERANCE	SCALE	DESIGN	CHECKED	APPROVED

CJW	14.10.08	E014-0333	△	RELEASED	MDK
APVD	DATE	NOTE No.	SYM	ALTERATION	DWN
DRAWING NAME				COVER 0250611HY54M-B	
DRAWING No.				GV181-54020-C01	

KUM 케이유엠