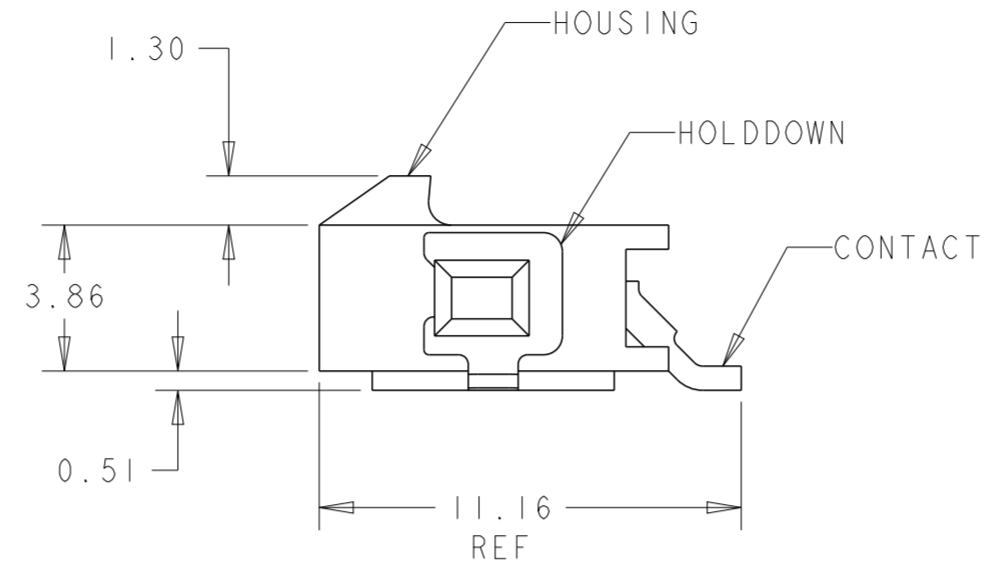
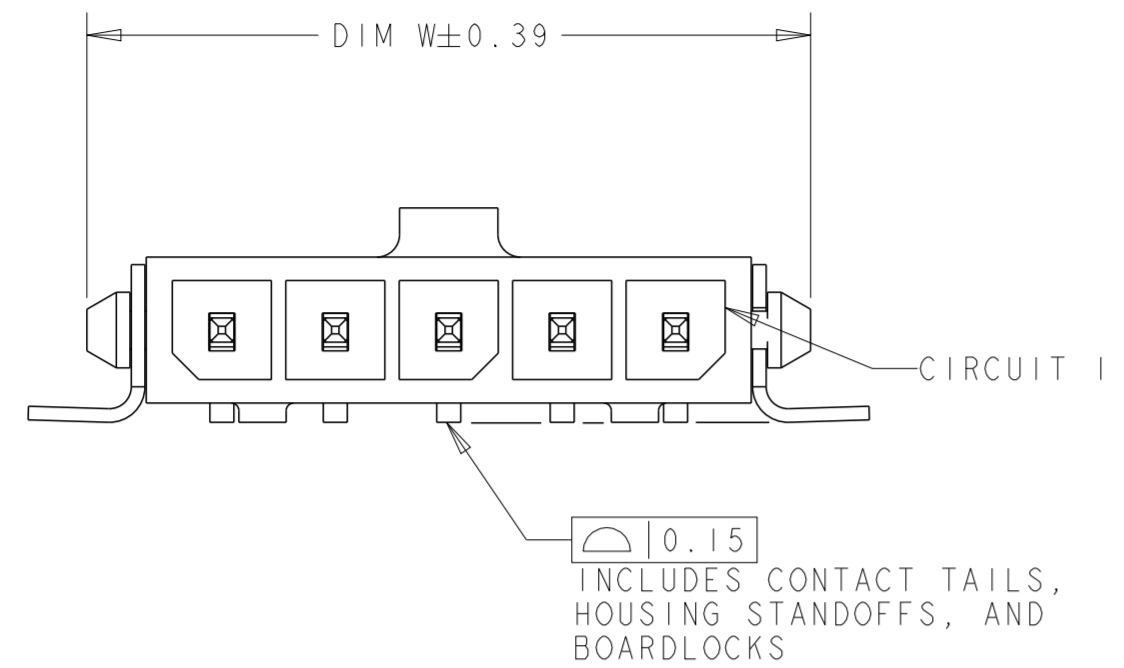
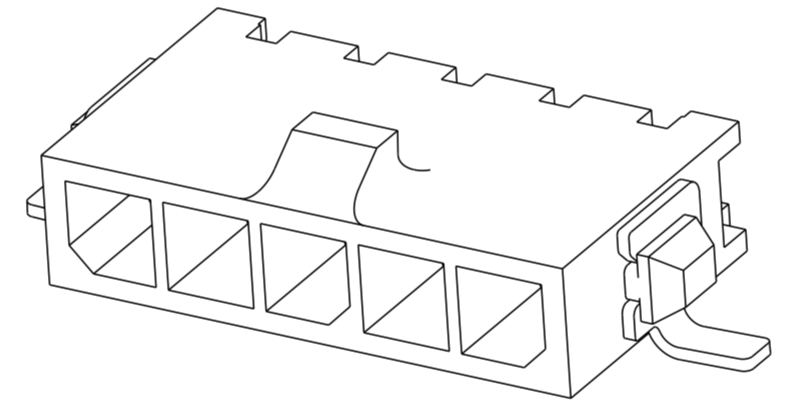
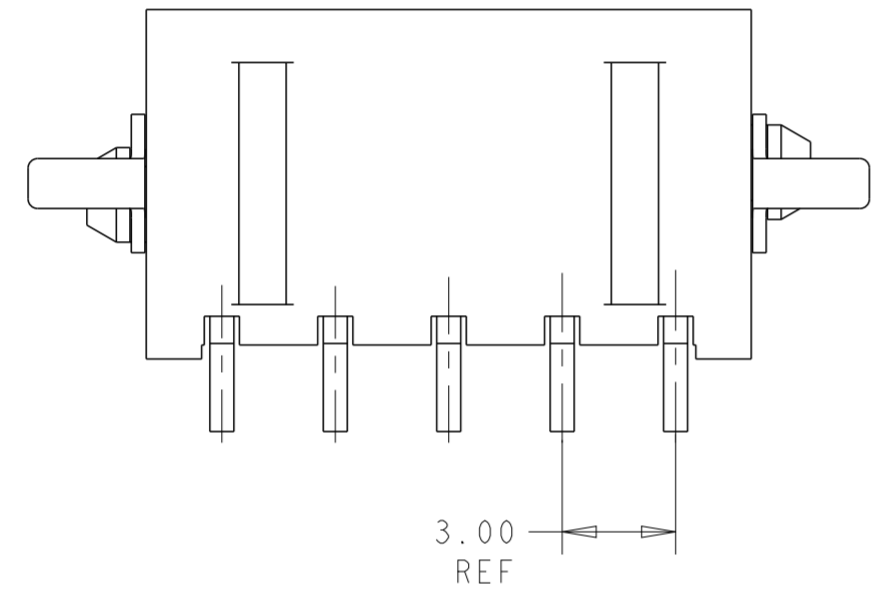


THIS DRAWING IS UNPUBLISHED. RELEASED FOR PUBLICATION 20  
 © COPYRIGHT 20 BY - ALL RIGHTS RESERVED.

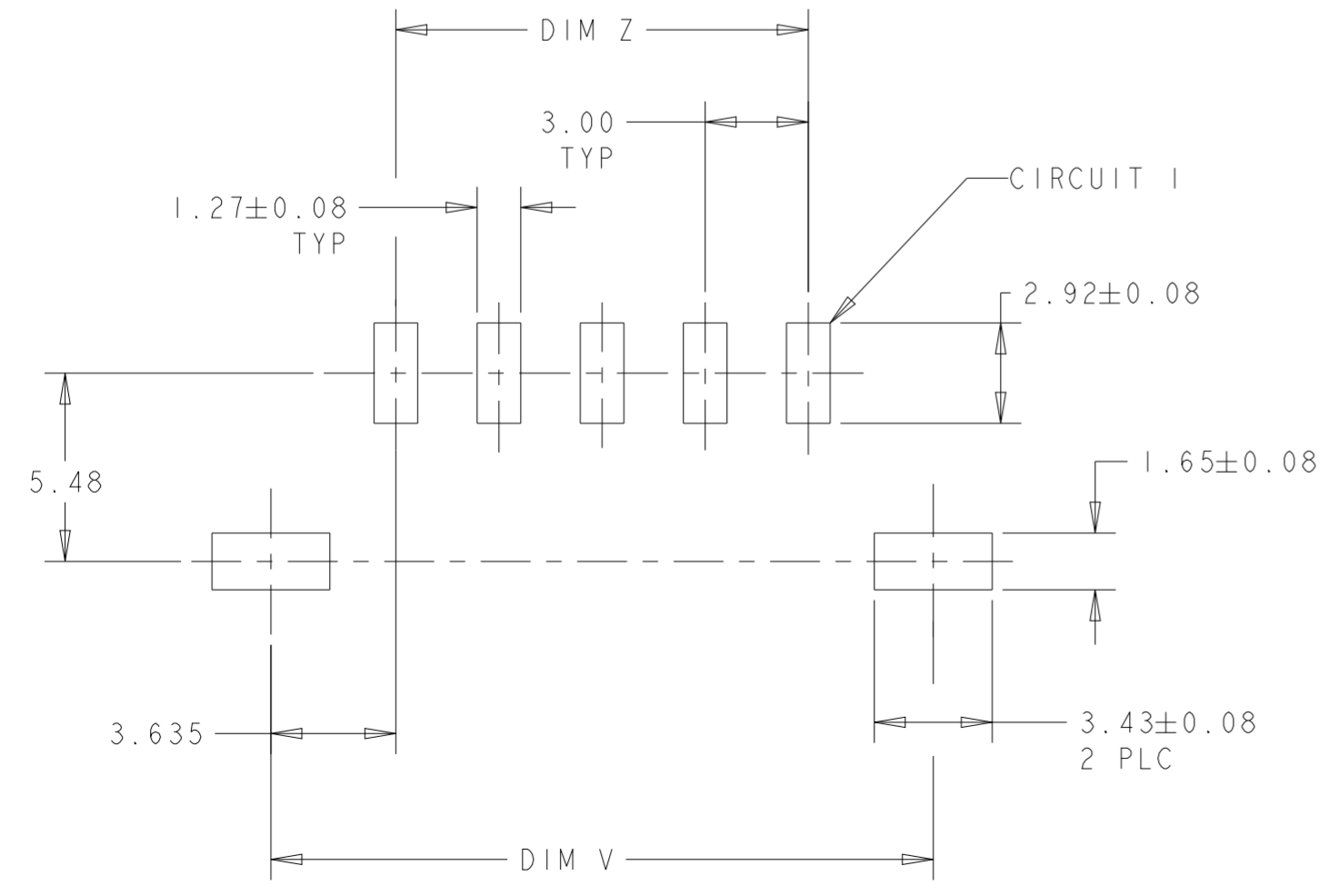
REVISIONS					
P	LTR	DESCRIPTION	DATE	DWN	APVD
	B2	REVISED PER ECR-16-011494	20JUN2017	NK	CX



- 1 MATERIAL: CONTACTS - BRASS  
HOUSING - UL 94V-0 RATED HIGH TEMP NYLON, COLOR BLACK.  
HOLDDOWNS: - PHOSPHOR BRONZE.
- 2 PLATING: CONTACTS - 0.38µm MINIMUM GOLD ON MATING END, 2.54µm MINIMUM TIN LEAD ON SOLDER TAILS, BOTH OVER 1.27µm MINIMUM NICKEL.  
HOLDDOWNS: 2.54µm MINIMUM TIN-LEAD OVER 1.27µm MINIMUM NICKEL.
- 4 RECOMMENDED PC BOARD THICKNESS OF 1.57.
- 5 PLATING: CONTACTS - 0.38µm MINIMUM GOLD ON MATING END, 2.54µm MINIMUM MATTE TIN ON SOLDER TAILS, BOTH OVER 1.27µm MINIMUM NICKEL.  
HOLDDOWNS: 2.54µm MINIMUM MATTE TIN OVER 1.27µm MINIMUM NICKEL.



5	33.00	40.41	40.00	12	3-1445091-2	
5	30.00	37.41	37.00	11	3-1445091-1	
5	27.00	34.41	34.00	10	3-1445091-0	
5	24.00	31.41	31.00	9	2-1445091-9	
5	21.00	28.41	28.00	8	2-1445091-8	
5	18.00	25.41	25.00	7	2-1445091-7	
5	15.00	22.41	22.00	6	2-1445091-6	
5	12.00	19.41	19.00	5	2-1445091-5	
5	9.00	16.41	16.00	4	2-1445091-4	
5	6.00	13.41	13.00	3	2-1445091-3	
5	3.00	10.41	10.00	2	2-1445091-2	
SUPERSEDED BY 3-1445091-2	2	33.00	40.41	40.00	12	+-1445091-2-
SUPERSEDED BY 3-1445091-1	2	30.00	37.41	37.00	11	+-1445091-1-
SUPERSEDED BY 3-1445091-0	2	27.00	34.41	34.00	10	+-1445091-0-
SUPERSEDED BY 2-1445091-9	2	24.00	31.41	31.00	9	-1445091-9-
SUPERSEDED BY 2-1445091-8	2	21.00	28.41	28.00	8	-1445091-8-
SUPERSEDED BY 2-1445091-7	2	18.00	25.41	25.00	7	-1445091-7-
SUPERSEDED BY 2-1445091-6	2	15.00	22.41	22.00	6	-1445091-6-
SUPERSEDED BY 2-1445091-5	2	12.00	19.41	19.00	5	-1445091-5-
SUPERSEDED BY 2-1445091-4	2	9.00	16.41	16.00	4	-1445091-4-
SUPERSEDED BY 2-1445091-3	2	6.00	13.41	13.00	3	-1445091-3-
SUPERSEDED BY 2-1445091-2	2	3.00	10.41	10.00	2	-1445091-2-
	FINISH	DIM Z	DIM V	DIM W	NO. OF POSN	PART NUMBER



PCB LAYOUT COMPONENT SIDE 4

SUPERSEDED BY 3-1445091-2  
 SUPERSEDED BY 3-1445091-1  
 SUPERSEDED BY 3-1445091-0  
 SUPERSEDED BY 2-1445091-9  
 SUPERSEDED BY 2-1445091-8  
 SUPERSEDED BY 2-1445091-7  
 SUPERSEDED BY 2-1445091-6  
 SUPERSEDED BY 2-1445091-5  
 SUPERSEDED BY 2-1445091-4  
 SUPERSEDED BY 2-1445091-3  
 SUPERSEDED BY 2-1445091-2

THIS DRAWING IS A CONTROLLED DOCUMENT.

DWN J. ROOT 09OCT2000  
 CHK K. WHITAKER 17-APR-2001  
 APVD C. JONES 17-APR-2001

TE Connectivity

RIGHT ANGLE SURF MOUNT HEADER ASSY, 0.38 MIC GOLD CONTACTS, W/SURF MNT, HOLDDONWS, SGL ROW, MICRO MATE-N-LOK™

SIZE A2 CAGE CODE 00779 DRAWING NO. C-1445091

SCALE 5:1 SHEET 1 OF 1 REV B2

MATERIAL SEE TABLE

PRODUCT SPEC -  
 APPLICATION SPEC -  
 WEIGHT -