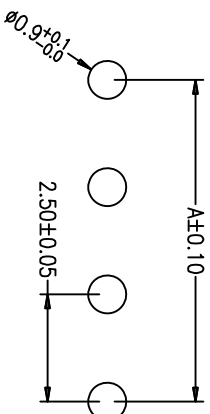
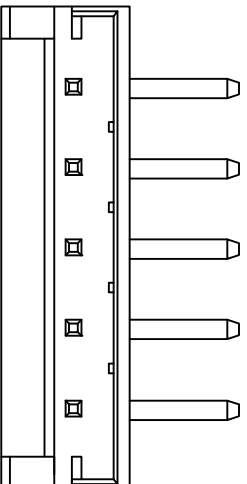
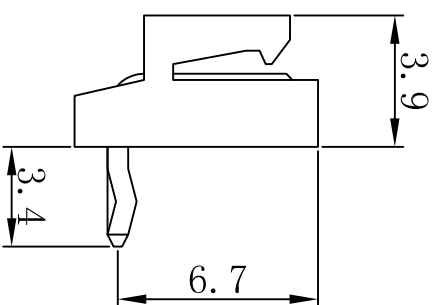
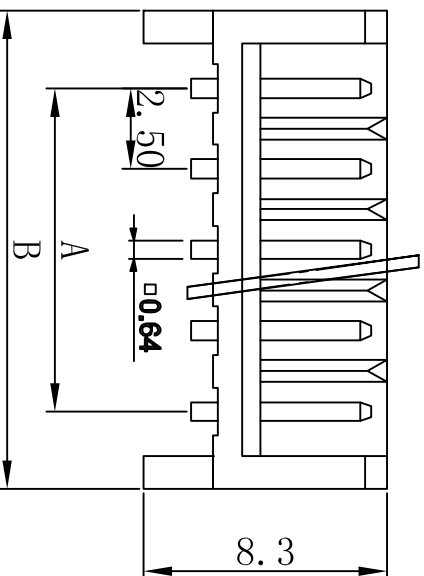


Pin数	2P	3P	4P	5P	6P	7P	8P	9P	10P	11P	12P	13P	14P	15P
尺寸	2.50	5.00	7.50	10.0	12.5	15.0	17.5	20.0	22.5	25.0	27.5	30.0	32.5	35.0
A	7.5	10.0	12.5	15.0	17.5	20.0	22.5	25.0	27.5	30.0	32.5	35.0	37.5	40.0
B														



PCB Layout

SPECIFICATIONS

Current rating: 3A AC/DC
Voltage rating: 250V AC/DC
Contact resistance: 20mΩ max.
Withstand voltage: 1000V AC/min
Insulation resistance: 1000MΩ/min.
Temperature range: -25°C~+85°C
Applicable PC board thickness: 0.063"(1.6)

Material:

Part No: 2~15
Post: Brass. Tin/plated
Base: PA66 UL94V-2

APPROVED:	DATE:	C 深圳市灿科盟实业有限公司 kmtw CHANKEMENG INDUSTRYCO., LTD			
CHECKED:	DATE:				
TOLERANCE TABLE		TITLE:	2504R-XP (带定位)		
.0	±0.25	CLIENT P/N	EH		
.00	±0.10	UNIT	mm	SCALE	free
.000	±0.05	FILE NO.	CKM-2504-00005	REV.	A
DRAWN:	DATE:	2015-04-25			
Luli-Liu					