

PRODUCT SPECIFICATION

		No. T-1-2187 (R-1-2187)	Date Issued: February 7, 2005
Customer:	GENERAL	Revised: E	Date Revised: December 4, 2014
Title Subject:	XH Connector (Lead-free product)		Issued by: Osaka Engineering Center

This is our exclusive property. It is not to be copied, reprinted or disclosed to a third party, not used for manufacturing, without our written consent, and has to be returned to us.

This product specification contains the results of performance tests for the XH Connector (Lead-free product).

-Index-

1. PART NAME, PART NUMBER & DRAWING NUMBER
2. CONSTRUCTION, DIMENSIONS, MATERIAL & SURFACE FINISH
3. CHARACTERISTICS
4. ABOUT WHISKER
5. SPECIMEN
6. TEST CONDITIONS
7. REQUIREMENTS, TEST METHODS & TEST RESULTS
 - 7.1 Appearance
 - 7.2 Mechanical Performance Test
 - 7.2.1 Insertion Force (I.F.) & Withdrawal Force (W.F.)
 - 7.2.2 Crimp Tensile Strength
 - 7.2.3 Contact Retention Force
 - 7.2.4 Post Retention Force
 - 7.3 Electrical Performance Test
 - 7.3.1 Contact Resistance
 - 7.3.2 Current Continuity
 - 7.3.3 Insulation Resistance
 - 7.3.4 Dielectric Withstanding Voltage
 - 7.4 Environmental Test
 - 7.4.1 Durability
 - 7.4.2 Humidity
 - 7.4.3 Heat Aging
 - 7.4.4 Thermal Shock
 - 7.4.5 Hydrogen Sulfide Gas
 - 7.4.6 Salt Spray
 - 7.4.7 Vibration
 - 7.4.8 Ammonia Gas
 - 7.5 Solder Test (Header)
 - 7.5.1 Solderability
 - 7.5.2 Resistance to Soldering Heat



Prepared by: <u>M. Veda</u>	Checked by: <u>S. Matsumoto</u>	Reviewed by: <u>T. Kusuda</u>	Approved by: <u>H. Tomimoto</u>
------------------------------------	--	--------------------------------------	--

This is our exclusive property. It is not to be copied, reprinted or disclosed to a third party, not used for manufacturing, without our written consent, and has to be returned to us.

Title Subject: XH Connector (Lead-free product)	No. T-1-2187 (R-1-2187)	Revised: E
---	----------------------------	------------

1. PART NAME, PART NUMBER & DRAWING NUMBER

Part Name		Part Number	Drawing Number
Contact		SXH-001T-P0.6	KRD-5607-1
		SXH-002T-P0.6	KRD-4311-1
Housing		XHP-*	KRD-4195-2
		XHP-20	KRD-5387-3
Header	Top entry type	B2B-XH-A (LF)(SN)	KRD-33576
		B*B-XH-A (LF)(SN)	KRD-38224-1
		B20B-XH-A (LF)(SN)	KRD-38225
	Side entry type	S2B-XH-A (LF)(SN)	KRD-34612-2
		S*B-XH-A (LF)(SN)	KRD-34613-1
		S2B-XH-A-1 (LF)(SN)	KRD-34614
	S*B-XH-A-1 (LF)(SN)	KRD-34615-1	

Note₁: Number of circuits in one or two-digit figure is indicated in *.

Note₂: (LF)(SN) as identification part number indicating lead-free product shall be displayed on a label until all products are shifted to the lead-free.

2. CONSTRUCTION, DIMENSIONS, MATERIAL & SURFACE FINISH

Construction and dimensions shall be in accordance with the referenced drawings. Material and surface finish shall be as specified below.

Part Name		Material	Surface Finish, etc.
Contact		Phosphor bronze	Tin-plated
Housing		PA 6	Flammability: UL94V-0
Header	Post	Brass	Copper-underplated Tin-plated
	Wafer	PA 66	Flammability: UL94V-0

3. CHARACTERISTICS

Item		Rated Value	
Current rating		3 A (AC, DC)	(Note ₃)
Voltage rating		250 V (AC, DC)	
Temperature range		-25 to +85 °C	(Note ₄)
Applicable wire	Conductor size	001 type: AWG #28 to #22 002 type: AWG #30 to #26	
	Insulation O.D.	001 type: φ0.9 to φ1.9 mm 002 type: φ0.9 to φ1.3 mm	
	Conductor spec.	Tin-plated annealed copper wire (stranded wire)	
Recommended printed circuit board (PCB)	Thickness	1.6 mm	
	Hole size	2-circuit, top entry type: 1.0 ± 0.05 mm Other than above: 0.9 +0.1/-0 mm	(Note ₅)

Note₃: When AWG #22 applied.

Note₄: Including temperature rise in applying an electrical current.

Note₅: Recommended values when paper based epoxy resin PCB with drilled hole is used. Tolerance changes depending on PCB material and piercing method.

Title Subject: XH Connector (Lead-free product)	No. T-1-2187 (R-1-2187)	Revised: E
---	----------------------------	------------

4. ABOUT WHISKER

Although the lead-free plating of this product has performed re-flow tin plating which ensures maximum effectiveness for retarding whisker growth, it is not possible to completely eliminate the whisker problem.

5. SPECIMEN

Part Name		Part Number
Contact		SXH-001T-P0.6 SXH-002T-P0.6
Housing		XHP-*
Header	Top entry type	B*B-XH-A (LF)(SN)
	Side entry type	S*B-XH-A (LF)(SN)
		S*B-XH-A-1 (LF)(SN)

Note₆: Number of circuits in one or two-digit figure is indicated in *.

6. TEST CONDITIONS

- When tested in accordance with the test conditions and methods specified in each item, each requirement shall be met. Unless otherwise specified, tests shall be conducted under the following ambient conditions specified in JIS C 60068-1 (IEC 60068-1) [Basic Environmental Testing Procedures General and Guidance].

Temperature: 15 to 35 °C
Relative humidity: 25 to 75 %

- For environmental tests, as a rule, the specimen assembled for actual use and the wire of UL1007 style AWG #22 shall be used.

7. REQUIREMENTS, TEST METHODS & TEST RESULTS

7.1 Appearance

Requirement: There shall be no crack, deformation or discoloration which may affect the performance specified in this specification.

Test method: Visual inspection.

Test result: Good.

Title Subject: XH Connector (Lead-free product)	No. T-1-2187 (R-1-2187)	Revised: E
---	----------------------------	------------

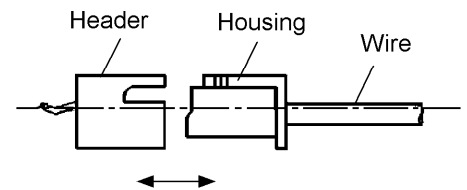
This is our exclusive property. It is not to be copied, reprinted or disclosed to a third party, not used for manufacturing, without our written consent, and has to be returned to us.

7.2 Mechanical Performance Test

7.2.1 Insertion Force (I.F.) & Withdrawal Force (W.F.)

Requirement:

No. of circuits	UNIT: N		
	At Initial		At 50th
	I.F. (N max.)	W.F. (N min.)	W.F. (N min.)
2	29.4	7.8	5.9
3	34.3	9.8	7.8
4	39.2	11.8	8.8
5	44.1	11.8	8.8
6	49.0	13.7	9.8
7	53.9	13.7	9.8
8	58.8	15.7	11.8
9	63.7	15.7	11.8
10	68.6	17.6	13.7
11	73.5	17.6	13.7
12	78.4	19.6	15.7
13	83.3	19.6	15.7
14	88.2	21.6	17.6
15	93.1	23.5	19.6
16	98.0	23.5	19.6
20	108	29.4	25.5



Test method: A housing with crimped contacts and a header shall be mated and unmated on the mating axis. Initial insertion and withdrawal forces and also withdrawal force at 50th shall be measured. (Testing speed: 1 to 5 mm/sec.)

Test result:

No. of circuits	Items	UNIT: N		
		Ave.	Max.	Min.
2	Initial I.F.	17.5	18.2	17.0
	Initial W.F.	19.9	21.5	18.9
	W.F. at 50th	14.4	16.7	12.8
3	Initial I.F.	20.0	22.0	18.3
	Initial W.F.	22.6	25.1	20.9
	W.F. at 50th	16.0	17.1	15.4
4	Initial I.F.	22.0	24.0	19.7
	Initial W.F.	24.6	27.0	22.8
	W.F. at 50th	17.2	18.1	15.7
5	Initial I.F.	25.6	28.7	23.7
	Initial W.F.	28.6	31.3	26.1
	W.F. at 50th	22.3	24.8	18.3

n=10

Title Subject: XH Connector (Lead-free product)	No. T-1-2187 (R-1-2187)	Revised: E
---	----------------------------	------------

Test result:

UNIT: N

No. of circuits	Items	Ave.	Max.	Min.
6	Initial I.F.	26.5	28.9	24.1
	Initial W.F.	29.9	34.5	25.0
	W.F. at 50th	23.8	30.2	19.9
7	Initial I.F.	28.8	30.5	27.7
	Initial W.F.	30.4	33.7	26.2
	W.F. at 50th	26.0	30.9	22.2
8	Initial I.F.	31.9	36.4	30.4
	Initial W.F.	34.5	37.5	31.5
	W.F. at 50th	30.9	36.3	27.7
9	Initial I.F.	33.3	36.0	31.4
	Initial W.F.	37.0	41.8	34.6
	W.F. at 50th	33.1	38.3	28.8
10	Initial I.F.	40.7	42.1	38.2
	Initial W.F.	43.5	48.7	41.8
	W.F. at 50th	35.8	40.0	28.4
11	Initial I.F.	41.3	44.8	38.9
	Initial W.F.	44.9	49.0	41.5
	W.F. at 50th	38.7	44.8	34.1
12	Initial I.F.	50.5	54.8	48.4
	Initial W.F.	54.0	56.3	49.3
	W.F. at 50th	41.1	45.2	34.5
13	Initial I.F.	51.8	54.5	47.5
	Initial W.F.	56.2	60.7	52.2
	W.F. at 50th	42.2	46.7	38.8
14	Initial I.F.	53.6	59.4	49.8
	Initial W.F.	56.2	61.1	51.9
	W.F. at 50th	46.9	51.5	43.5
15	Initial I.F.	62.7	65.5	57.5
	Initial W.F.	61.6	66.1	56.0
	W.F. at 50th	51.0	60.7	45.5
16	Initial I.F.	69.5	72.5	66.9
	Initial W.F.	65.5	71.4	58.9
	W.F. at 50th	55.2	60.1	48.4
20	Initial I.F.	78.9	83.3	73.0
	Initial W.F.	71.7	75.1	66.9
	W.F. at 50th	59.3	64.4	52.8

n=10

This is our exclusive property. It is not to be copied, reprinted or disclosed to a third party, not used for manufacturing, without our written consent, and has to be returned to us.

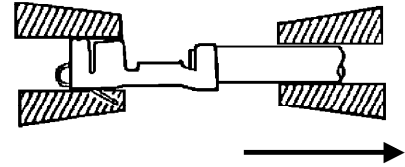
This is our exclusive property. It is not to be copied, reprinted or disclosed to a third party, not used for manufacturing, without our written consent, and has to be returned to us.

Title Subject: XH Connector (Lead-free product)	No. T-1-2187 (R-1-2187)	Revised: E
---	----------------------------	------------

7.2.2 Crimp Tensile Strength

Requirement:

Wire to be used	Requirements N min.
AWG #30	7.8
AWG #28	9.8
AWG #26	19.6
AWG #24	29.4
AWG #22	39.2



Test method: Pulling load shall be applied to a correctly crimped contact and a wire. The load required to pull the wire out of the contact or break the wire shall be measured. (Testing speed: 25 mm/min.)

Test result:

SXH-001T-P0.6			UNIT: N
Wire size	Ave.	Max.	Min.
AWG #28	28.0	32.3	25.5
AWG #26	42.9	45.1	37.2
AWG #24	62.3	65.7	59.8
AWG #22	89.6	96.0	87.2

n=10

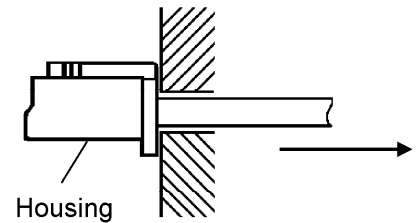
SXH-002T-P0.6			UNIT: N
Wire size	Ave.	Max.	Min.
AWG #30	16.7	19.6	14.7
AWG #28	26.1	30.4	21.6
AWG #26	42.2	44.1	40.2

n=10

7.2.3 Contact Retention Force

Requirement: 19.6 N min.

Test method: A crimped contact shall be inserted into a housing and pulled in the axial direction. The load required to pull the contact out of the housing shall be measured. (Testing speed: 1 to 5 mm/sec.)



UNIT: N		
Ave.	Max.	Min.
45.7	53.9	41.2

n=20

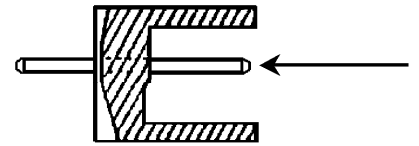
Title Subject: XH Connector (Lead-free product)	No. T-1-2187 (R-1-2187)	Revised: E
---	----------------------------	------------

This is our exclusive property. It is not to be copied, reprinted or disclosed to a third party, not used for manufacturing, without our written consent, and has to be returned to us.

7.2.4 Post Retention Force

Requirement: 19.6 N min.

Test method: The end of a post shall be pushed perpendicularly. The load required to make the post start moving from a wafer shall be measured. (Testing speed: 25 mm/min.)



Test result:

UNIT: N		
Ave.	Max.	Min.
49.1	52.5	43.7

n=20

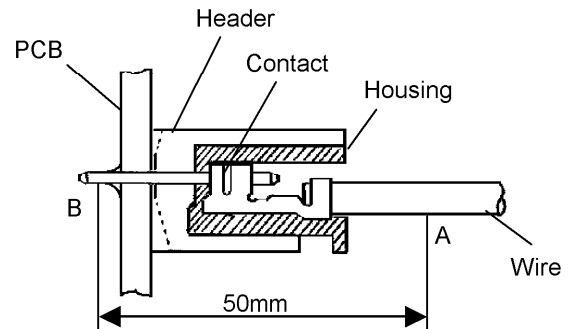
7.3 Electrical Performance Test

7.3.1 Contact Resistance

Requirement: Initial: 10 mΩ max.
After tests: 20 mΩ max.

Test method: Contact resistance between points A and B of a specimen assembled for actual use as shown in the figure on the right side shall be measured under the following conditions.

Test current: 10 mA (DC)
Open voltage: 20 mV max.
Wire to be used: AWG #22



Test result: See each environmental test item.

7.3.2 Current Continuity

Requirement: There shall be no current discontinuity longer than 1 microsecond during a vibration test.

Test method: Each circuit of a specimen assembled for actual use shall be connected in series and test current of 10 mA(DC) shall be applied. Current discontinuity longer than 1 microsecond during the test shall be detected by continuity meter.

Test result: See vibration test item.

This is our exclusive property. It is not to be copied, reprinted or disclosed to a third party, not used for manufacturing, without our written consent, and has to be returned to us.

Title Subject: XH Connector (Lead-free product)	No. T-1-2187 (R-1-2187)	Revised: E
---	----------------------------	------------

7.3.3 Insulation Resistance

Requirement: Initial: 1,000 MΩ min.
 After tests: 500 MΩ min. (Humidity & Thermal shock tests)

Test method: 500 VDC shall be applied between adjacent contacts of a mated specimen to measure insulation resistance. (The header shall not be soldered.)

Test result:

UNIT: MΩ	
Item	Measured value
Initial	1,000 min.
After humidity test	500 min.
After thermal shock test	500 min.

n=20

7.3.4 Dielectric Withstanding Voltage

Requirement: There shall be no breakdown or flashover.

Test method: Testing voltage specified below shall be applied between adjacent contacts of a mated specimen for one minute. (The header shall not be soldered.)

Initial: 1,000 VAC
 After tests: 1,000 VAC (Humidity & Thermal shock tests)

Test result:

Initial	Good.
After humidity test	Good.
After thermal shock test	Good.

n=20

7.4 Environmental Test

7.4.1 Durability

Requirement: Contact resistance shall be 20 mΩ max. after the test.

Test method: A housing with crimped contacts and a header shall be mated and unmated. After repeated 50 cycles, contact resistance shall be measured.

Test result:

Test item	Initial			After the test		
	Ave.	Max.	Min.	Ave.	Max.	Min.
Contact Resistance	4.59	5.4	4.2	4.88	5.1	4.7

UNIT: mΩ

n=16

Title Subject: XH Connector (Lead-free product)	No. T-1-2187 (R-1-2187)	Revised: E
---	----------------------------	------------

This is our exclusive property. It is not to be copied, reprinted or disclosed to a third party, not used for manufacturing, without our written consent, and has to be returned to us.

7.4.2 Humidity

Requirement: Contact resistance shall be 20 mΩ max. after the test.
 Insulation resistance shall be 500 MΩ min. after the test.
 There shall be no breakdown or flashover on the dielectric withstanding voltage test.

Test method: A specimen shall be placed in a humidity chamber of the following conditions. After the test, contact resistance, insulation resistance and dielectric withstanding voltage shall be measured.

Temperature: 40 ± 2 °C
 Relative humidity: 90 to 95 %
 Period: 240 hours

Test result:

UNIT: mΩ

Test item	Initial			After the test		
	Ave.	Max.	Min.	Ave.	Max.	Min.
Contact Resistance	4.18	4.4	4.0	4.49	5.2	4.1

n=16

7.4.3 Heat Aging

Requirement: Contact resistance shall be 20 mΩ max. after the test.

Test method: A specimen shall be placed in a heat oven of the following conditions. After the test, contact resistance shall be measured.

Temperature: 85 ± 2 °C
 Period: 250 hours

Test result:

UNIT: mΩ

Test item	Initial			After the test		
	Ave.	Max.	Min.	Ave.	Max.	Min.
Contact Resistance	4.09	4.2	4.0	4.38	4.8	4.2

n=16

Title Subject: XH Connector (Lead-free product)	No. T-1-2187 (R-1-2187)	Revised: E
---	----------------------------	------------

This is our exclusive property. It is not to be copied, reprinted or disclosed to a third party, not used for manufacturing, without our written consent, and has to be returned to us.

7.4.4 Thermal Shock

Requirement: Contact resistance shall be 20 mΩ max. after the test.
 Insulation resistance shall be 500 MΩ min. after the test.
 There shall be no breakdown or flashover on the dielectric withstanding voltage test.

Test method: A specimen shall be subjected to a thermal shock test of the following conditions. After the test, contact resistance, insulation resistance and dielectric withstanding voltage shall be measured.

1 cycle consists of:
 - 55 ± 3 °C for 30 minutes
 +85 ± 2 °C for 30 minutes
 Total cycles: 25 cycles

Test result:

UNIT: mΩ

Test item	Initial			After the test		
	Ave.	Max.	Min.	Ave.	Max.	Min.
Contact Resistance	4.06	4.3	3.9	4.52	5.0	4.1

n=16

7.4.5 Hydrogen Sulfide Gas

Requirement: Contact resistance shall be 20 mΩ max. after the test.

Test method: A specimen shall be subjected to hydrogen sulfide gas of the following conditions. After the test, contact resistance shall be measured.

Concentration: 3 ± 1 ppm
 Temperature: 40 ± 2 °C
 Relative humidity: 80 ± 5 %
 Period: 96 hours

Test result:

UNIT: mΩ

Test item	Initial			After the test		
	Ave.	Max.	Min.	Ave.	Max.	Min.
Contact Resistance	4.62	5.0	4.3	4.87	5.7	4.4

n=16

This is our exclusive property. It is not to be copied, reprinted or disclosed to a third party, not used for manufacturing, without our written consent, and has to be returned to us.

Title Subject: XH Connector (Lead-free product)	No. T-1-2187 (R-1-2187)	Revised: E
---	----------------------------	------------

7.4.6 Salt Spray

Requirement: Contact resistance shall be 20 mΩ max. after the test.

Test method: A specimen shall be subjected to a salt spray test of the following conditions. After the test, it shall be washed with running water and dried naturally before the measurement of contact resistance.

Temperature: 35 ± 2 °C
 Concentration: 5 % in weight
 Period: 48 hours

Test result:

UNIT: mΩ

Test item	Initial			After the test		
	Ave.	Max.	Min.	Ave.	Max.	Min.
Contact Resistance	4.57	5.1	4.4	5.13	5.8	4.5

n=20

7.4.7 Vibration

Requirement: Contact resistance shall be 20 mΩ max. after the test.
 There shall be no current discontinuity longer than 1 microsecond during the test.

Test method: A specimen shall be mounted on a PCB and subjected to a vibration test of the following conditions. During the test, current continuity shall be checked. After the test, contact resistance shall be measured.

Frequency: 10-55-10Hz/min
 Amplitude: 1.52mm
 Direction: Each of X, Y and Z-axis directions
 * Each axis shall be at right angles to others.
 Period: 2 hours for each direction

Test result:

UNIT: mΩ

Test item	Initial			After the test		
	Ave.	Max.	Min.	Ave.	Max.	Min.
Contact Resistance	4.36	4.6	4.2	4.88	6.1	4.4

Current continuity	There was no current discontinuity longer than 1 microsecond.
--------------------	---

n=20

Title Subject: XH Connector (Lead-free product)	No. T-1-2187 (R-1-2187)	Revised: E
---	----------------------------	------------

7.4.8 Ammonia Gas

Requirement: There shall be no stress corrosion cracking.

Test method: A mated specimen shall be subjected to ammonia gas of the following conditions. (The connector shall not be soldered.)

After the test, stress corrosion cracking shall be checked.

Ammonia solution: 3 % in weight
 Solution volume: 25ml per liter of volume
 Period: 7 hours

Test result:

There was no stress corrosion cracking.

n=20

7.5 Solder Test (Header)

7.5.1 Solderability

Requirement: Plating surface of solder-dipping section of a specimen shall be covered with smooth solder.

Test method: Fluxed soldering section of a specimen shall be dipped in solder of the following conditions.

Solder: Sn-3Ag-0.5Cu
 Flux: Activation flux
 (CF-110VH-2A made by Tamura Kaken Corporation)
 Solder temperature: 245 ± 3 °C
 Immersion period: 3 ± 0.5 seconds

Test result:

Good.

n=20

Title Subject: XH Connector (Lead-free product)	No. T-1-2187 (R-1-2187)	Revised: E
---	----------------------------	------------

7.5.2 Resistance to Soldering Heat

Requirement: There shall be no deformation or damage which may affect the performance.

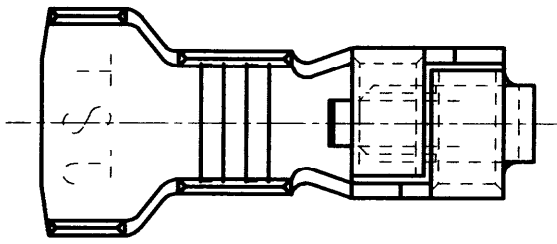
Test method: A specimen shall be mounted on a PCB and subjected to a resistance to soldering heat test of the following conditions.

Solder: Sn-3Ag-0.5Cu
Flux: Activation flux
(CF-110VH-2A made by Tamura Kaken Corporation)
PCB to be used: Material; Paper based epoxy resin, Pattern on one side
Solder temperature: 260 ± 5 °C
Immersion period: 5 ± 0.5 seconds

Test result:

There was no deformation or damage which may affect the performance.

n=20

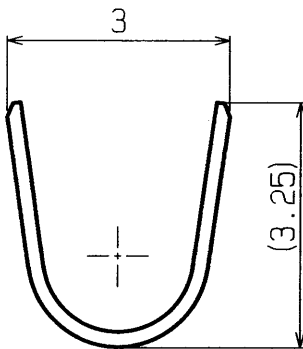
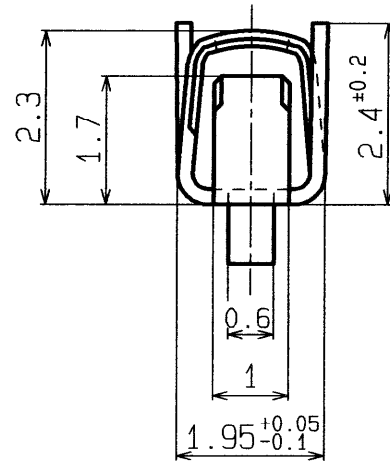
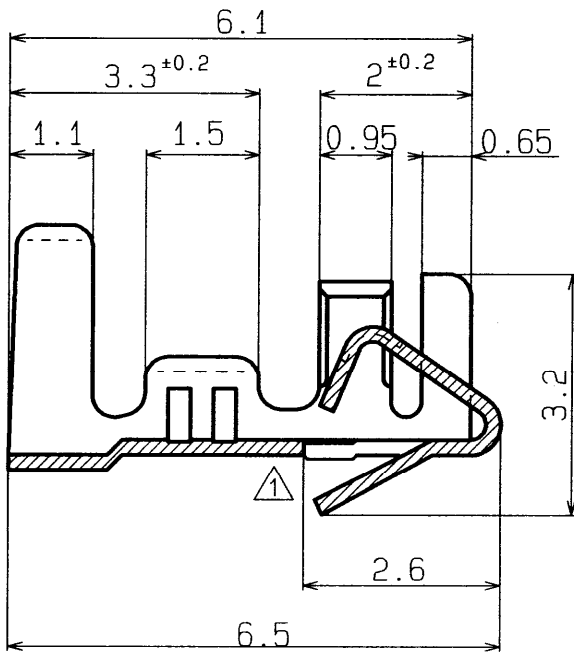


NOTE

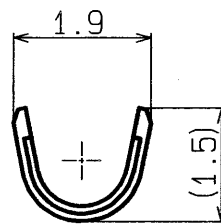
1. Unless otherwise specified, tolerances are ± 0.3

REVISIONS

R1. 1)' 96. 8. 28 2) Change of configuration. 3) M. N

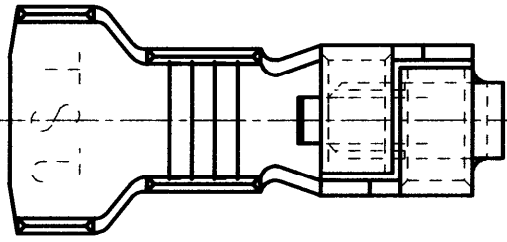


INSULATION BARREL



WIRE BARREL

CONTACT		PHOSPHOR BRONZE ± 0.2	TIN-PLATED (PRETIN)	REVISIONS		
No.	NAME	MATERIAL	REMARKS		PART NAME	XH CONNECTOR
				PART No.	SXH-001T-P0.6	
APPROVED BY	CHECKED BY	DRAWN BY	SCALE	PROJECTION	DATE	DRAWING No. KRD-5607-1 R1
T-N	S.G.	Nago	free		Dec. 20 '90	

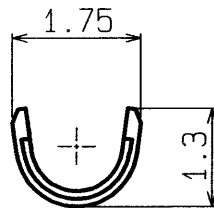
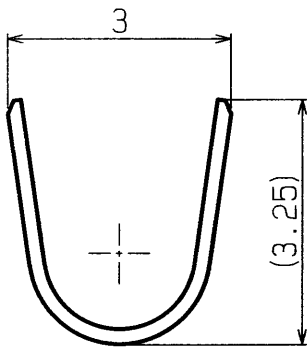
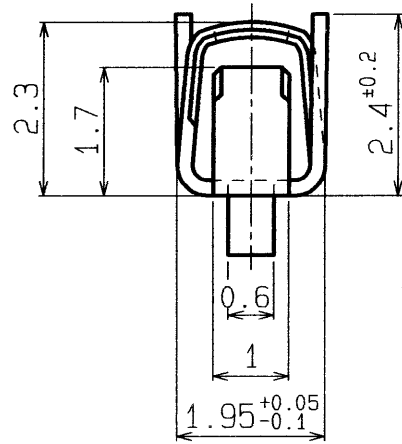
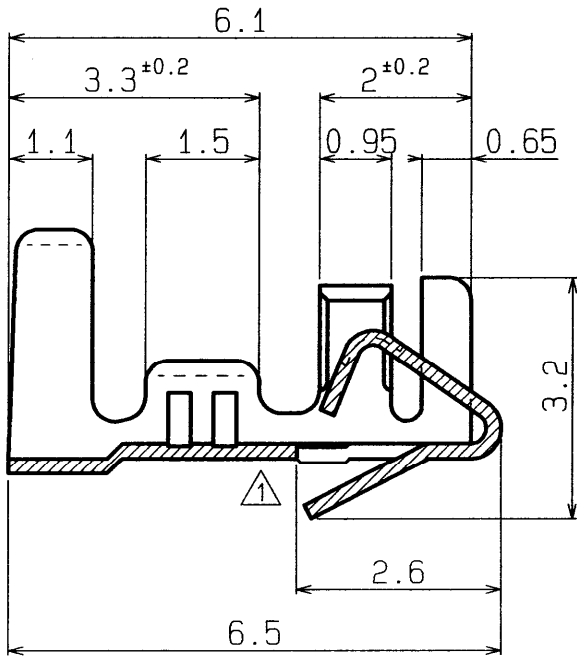


NOTE

1. Unless otherwise specified, tolerances are ± 0.3

REVISIONS

R1. 1)' 96. 8. 28 2) Change of configuration. 3) M. N



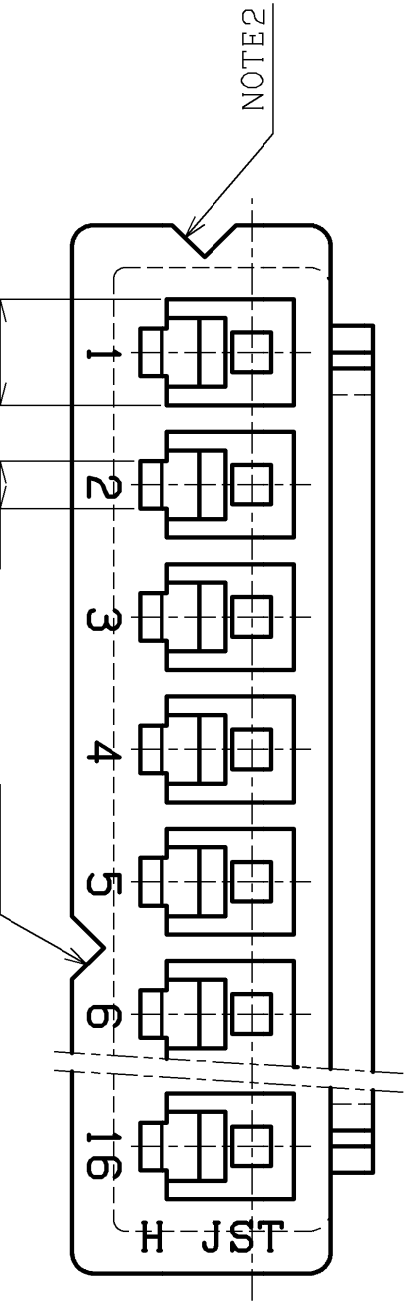
INSULATION BARREL

WIRE BARREL

CONTACT		PHOSPHOR BRONZE t0.2	TIN-PLATED (PRETIN)	REVISIONS	
No.	NAME	MATERIAL	REMARKS		
J. S. T.				PART NAME	XH CONNECTOR
APPROVED BY	CHECKED BY	DRAWN BY	SCALE	PROJECTION	DATE
<i>T-N</i>	<i>S.S.</i>	<i>Nago</i>	free		Dec. 20 '90
				PART No.	SXH-002T-P0. 6
				DRAWING No.	KRD - 4311-1 R1

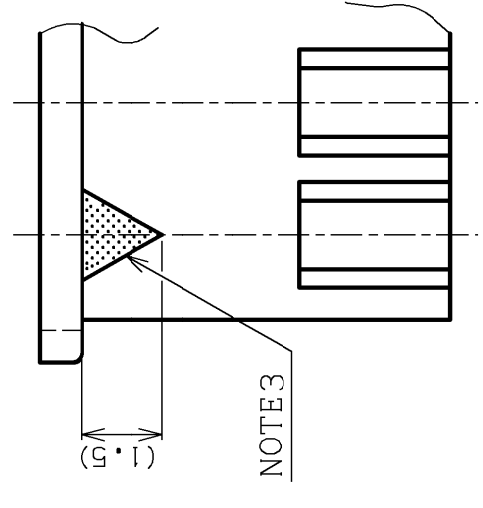
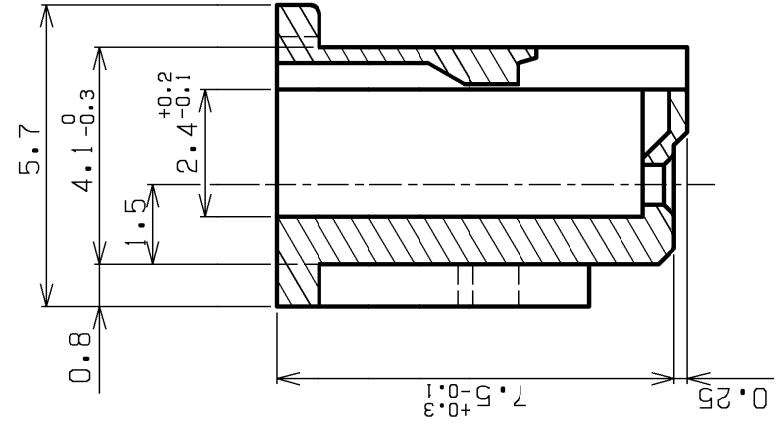
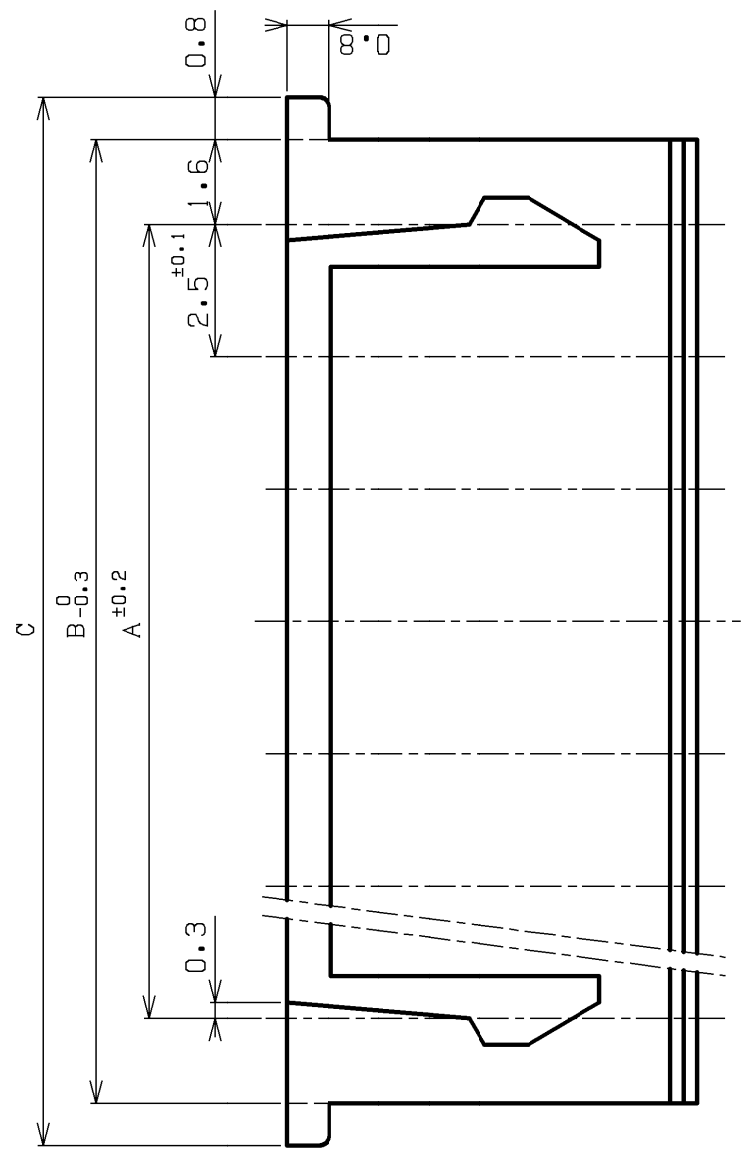
1 2 3 4 5 6 7 8

REV.	DESCRIPTION	DATE	DESIGNED
△			



NOTE
 1. Unless otherwise specified, tolerances are ± 0.3
 2. Housing hole No. 1
 3. Housing hole No. 1
 4. V recessing at every 5 circuits.

Cir- cuits	A	B	C
2	2.5	5.7	7.3
3	5.0	8.2	9.8
4	7.5	10.7	12.3
5	10.0	13.2	14.8
6	12.5	15.7	17.3
7	15.0	18.2	19.8
8	17.5	20.7	22.3
9	20.0	23.2	24.8
10	22.5	25.7	27.3
11	25.0	28.2	29.8
12	27.5	30.7	32.3
13	30.0	33.2	34.8
14	32.5	35.7	37.3
15	35.0	38.2	39.8
16	37.5	40.7	42.3



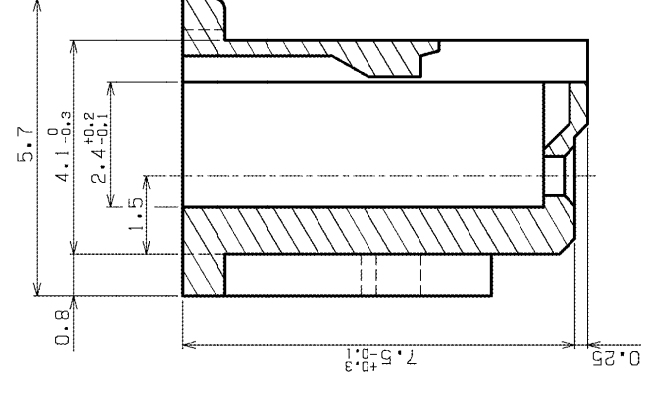
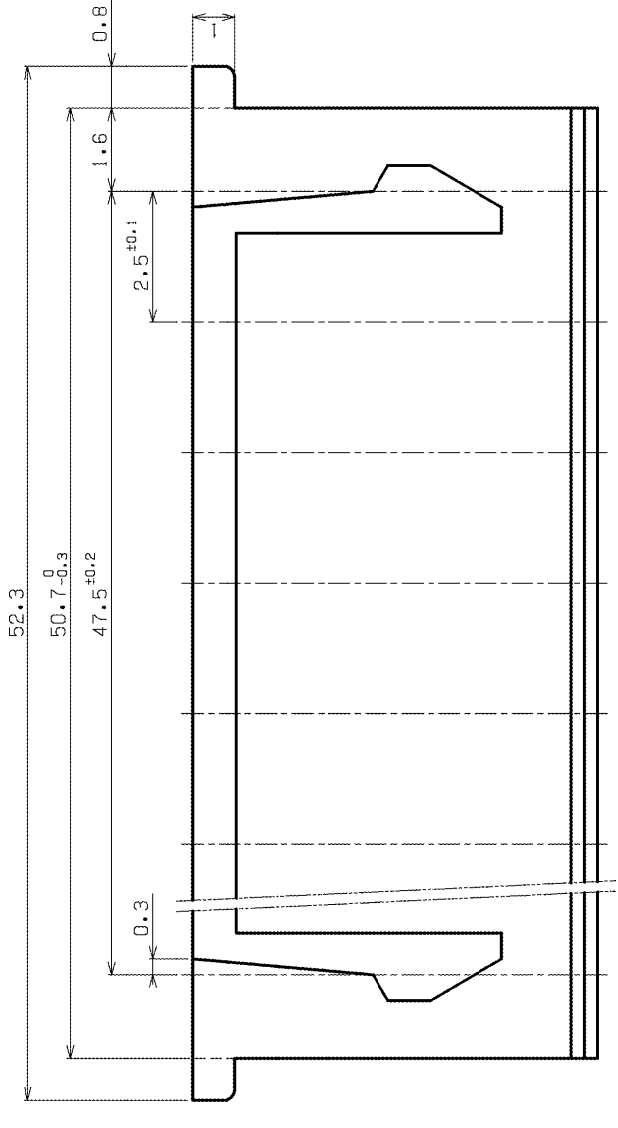
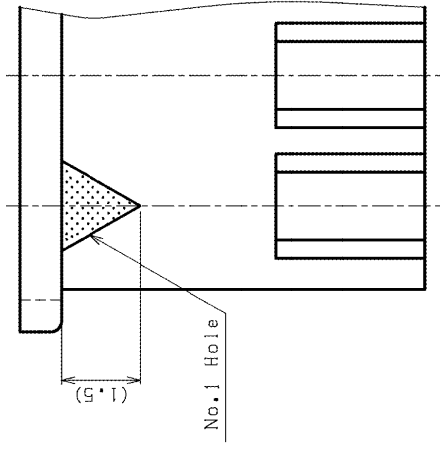
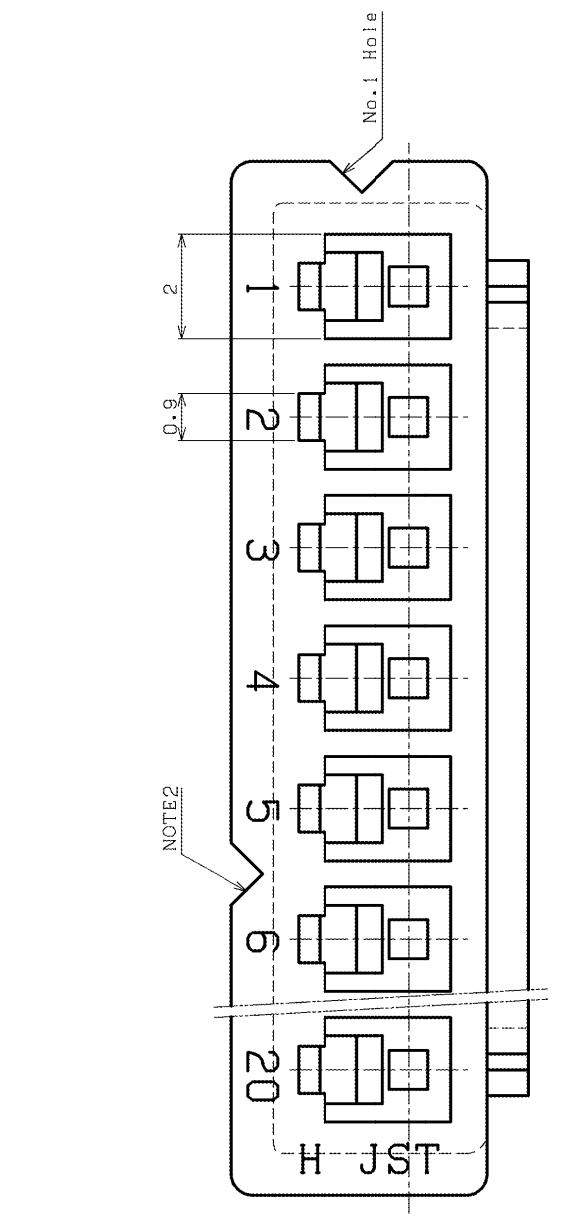
HOUSING		6NYLON		MATERIAL		SURFACE FINISH		REMARKS	
PART NAME		SCALE		PROJECTION		DATE		CUSTOMER	
UNIT	METRIC	7:1	①	NOV. 28. 2014					
APPROVED	CHECKED	DESIGNED	DRAWN						
K.N	K.M	T.S							
J.S.T.MFG.CO., LTD.				SERIES NAME		XH CONNECTOR			
				PART No.		XHP-()			
				DRAWING No.		KR D-4195-2		R0	

THIS DRAWING CONTAINS INFORMATION THAT IS PROPRIETARY TO J.S.T. AND SHOULD NOT BE USED WITHOUT WRITTEN PERMISSION.

EC4109-2

1 2 3 4 5 6 7 8 9 10 11 12

REV.	DESCRIPTION	DATE	DESIGNED
△	Drawing format change.	Nov. 1.1999	T. TERASHIMA



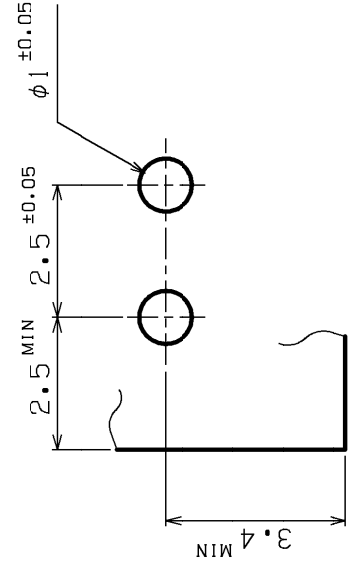
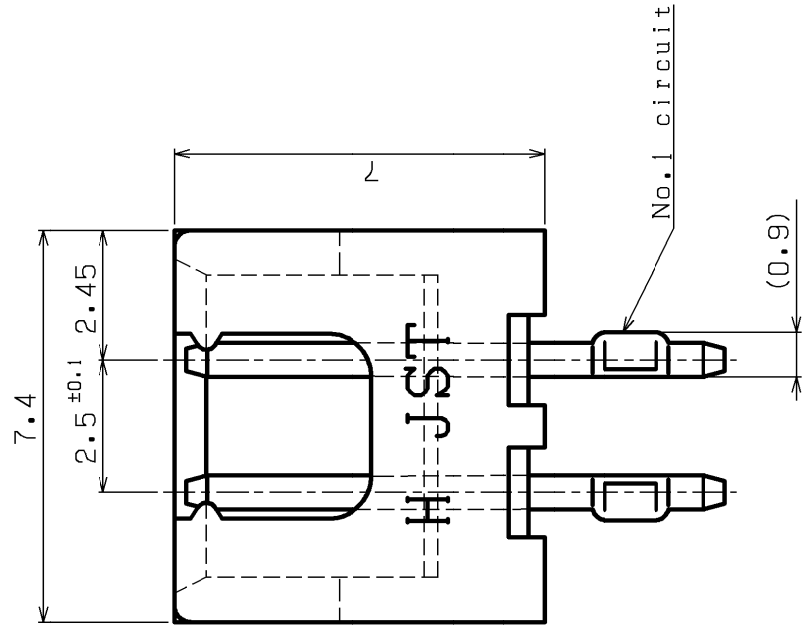
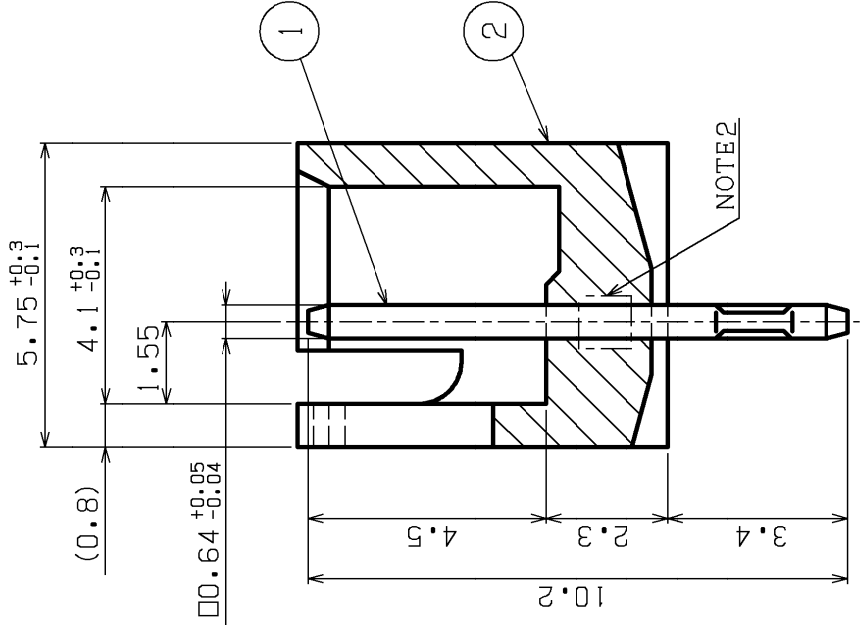
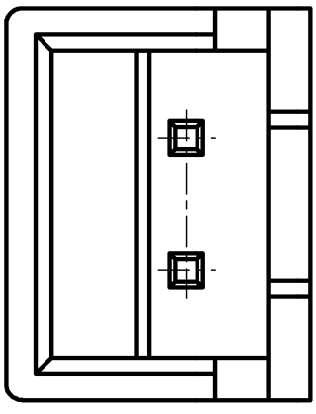
NOTE
 1. Unless otherwise specified, tolerances are ±0.3
 2. V slot shall be placed every five poles.

No.	HOUSING	PART NAME	MATERIAL	SURFACE FINISH	REMARKS
SIZE	A2	SCALE	10:1	METRIC	UL94V-0
APPROVED	T.N	CHECKED	S.S	DESIGNED	T.T
				DRAWN	M.T
		PROJECTION DATE		AUG. 28. 1996	
		XII CONNECTOR		SERIES NAME	
		XHP-20		PART No.	
		KRD-5387-3		DRAWING No.	
		R1		REMARKS	

JST J.S.T.MFG.CO., LTD

1 2 3 4 5 6 7 8

REV.	DESCRIPTION	DATE	DESIGNED
△			



Recommendable P.C.Board hole layout

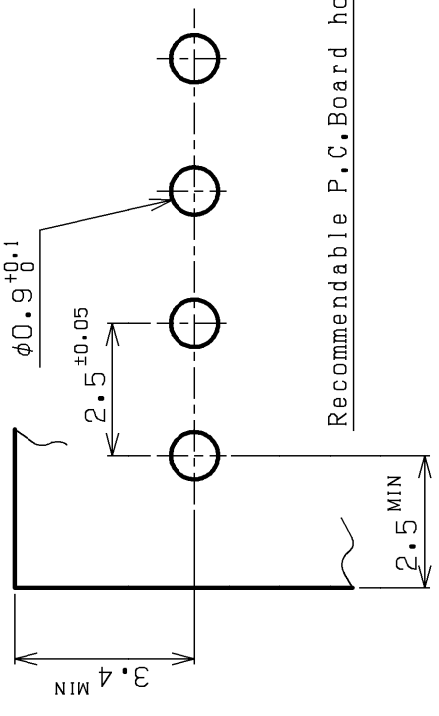
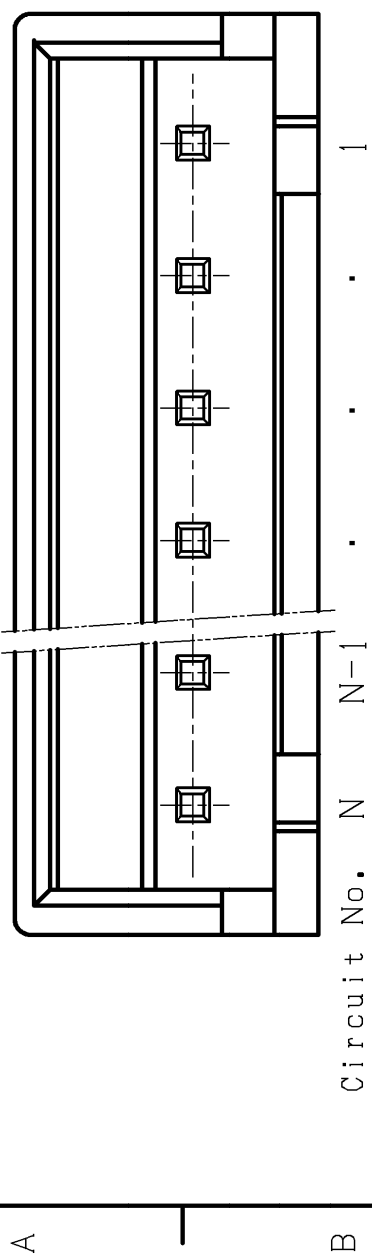
NOTE
 1. Unless otherwise specified, tolerances are ± 0.3
 2. Post side with holding construction for housing.
 3. If using products as VDE approval, please print visible marking of "No. 1" or equivalent marking on PCB.

2	WAFER	66NYLON	UL94V-0, NATURAL
1	POST	BRASS	COPPER-UNDERPLATED TIN-PLATED
No.	PART NAME	MATERIAL	SURFACE FINISH
SIZE	UNIT	SCALE	PROJECTION
A3	METRIC	7:1	⊕
APPROVED	CHECKED	DESIGNED	DATE
S. K		E. N	OCT. 28. 2004
		DRAWN	
		A. M	
JST J. S. T. MFG. CO., LTD.			
SERIES NAME		XH, NR CONNECTOR	
PART No.		B2B-XH-A (LF) (SN)	
DRAWING No.		KRD-33576	
		REMARKS	
		UL94V-0, NATURAL	

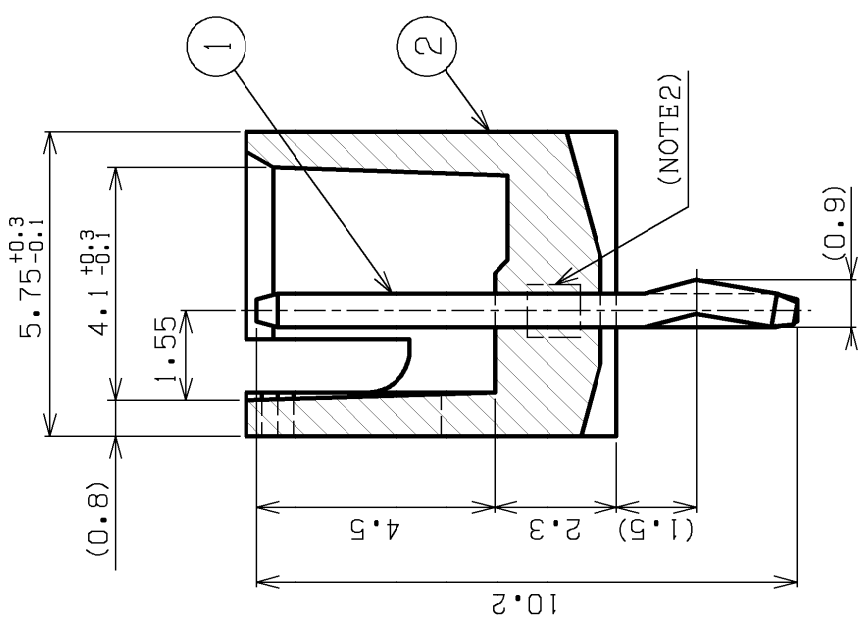
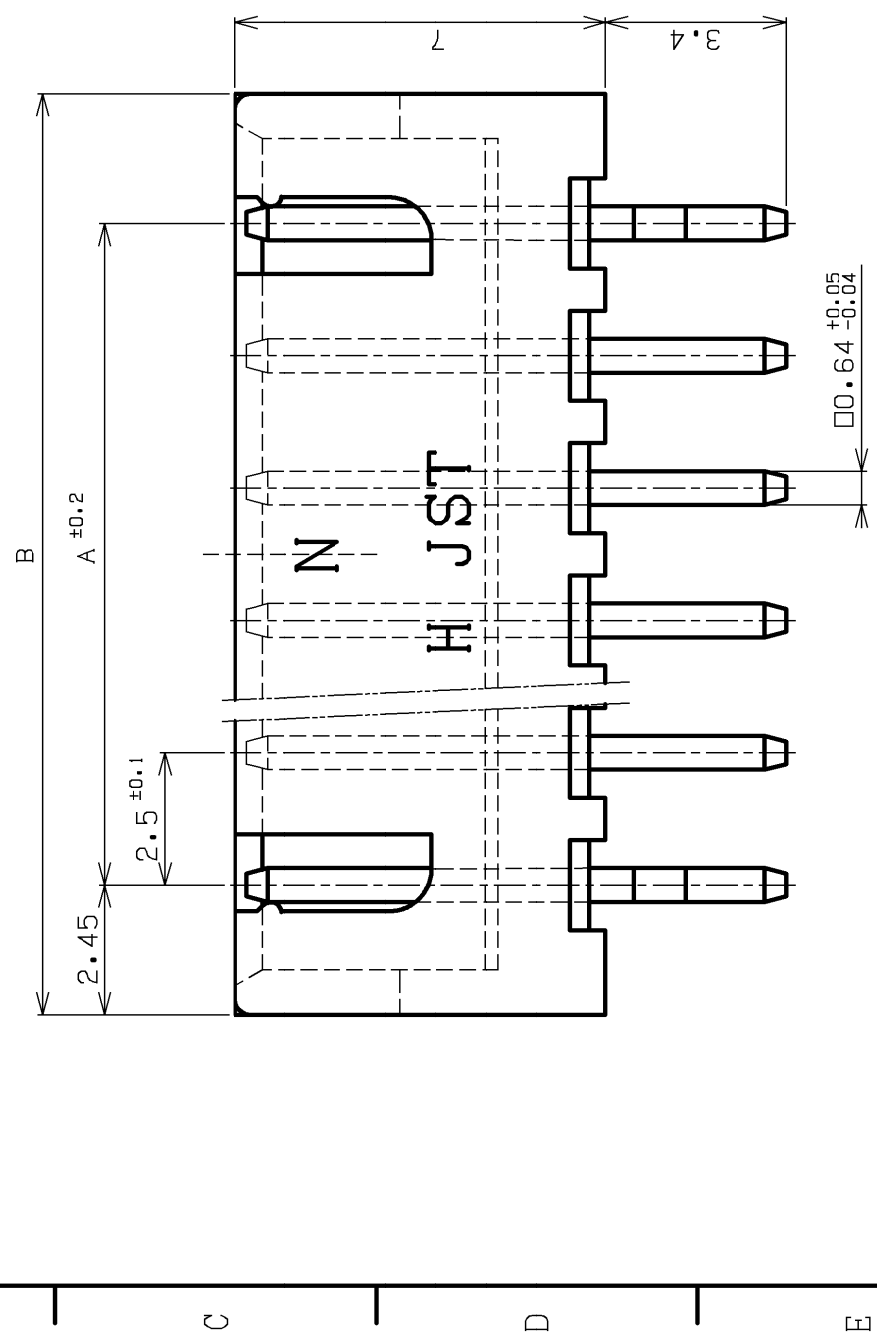
THIS DRAWING CONTAINS INFORMATION THAT IS PROPRIETARY TO J.S.T. AND SHOULD NOT BE USED WITHOUT WRITTEN PERMISSION.

EC4109-2

REV.	DESCRIPTION	DATE	DESIGNED
△			



16	37.5	42.4
15	35.0	39.9
14	32.5	37.4
13	30.0	34.9
12	27.5	32.4
11	25.0	29.9
10	22.5	27.4
9	20.0	24.9
8	17.5	22.4
7	15.0	19.9
6	12.5	17.4
5	10.0	14.9
4	7.5	12.4
3	5.0	9.9
Circuits	A	B

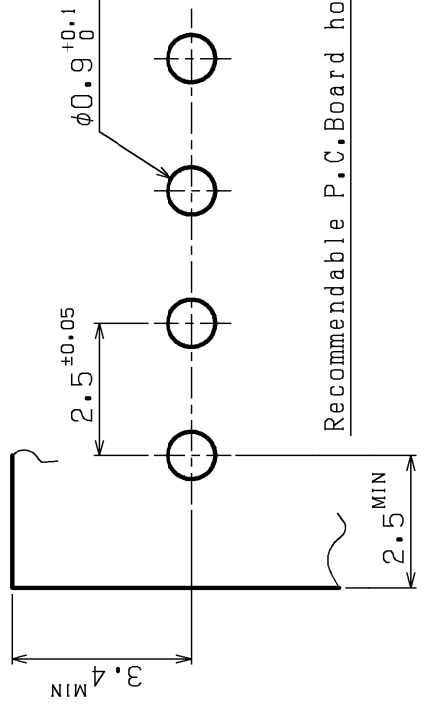
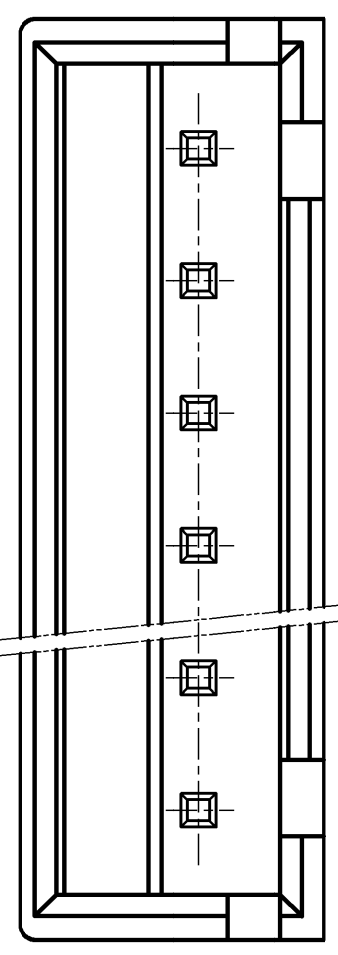


- NOTE**
1. Unless otherwise specified, tolerances are ± 0.3
 2. Post side with holding construction for housing.
 3. If using products as VDE approval, please print visible marking of "No.1" or equivalent marking on PCB.
 4. Tolerance of hole pitch on PCB are not cumulative.

2	WAFER	66NYLON		UL94V-0, NATURAL
1	POST	BRASS		COPPER-UNDERPLATED TIN-PLATED
No.	PART NAME	MATERIAL		SURFACE FINISH
SIZE	UNIT	SCALE	PROJECTION	DATE
A3	METRIC	7:1	⊕	NOV.13.2009
APPROVED	CHECKED	DESIGNED	DRAWN	
S.K	E.N	T.S		
JST J.S.T.MFG.CO., LTD.				
		SERIES NAME		XH, NR CONNECTOR
		PART No.		B () B-XH-A (LF) (SN)
		DRAWING No.		KRD-38224-1
				RO

THIS DRAWING CONTAINS INFORMATION THAT IS PROPRIETARY TO J.S.T. AND SHOULD NOT BE USED WITHOUT WRITTEN PERMISSION.

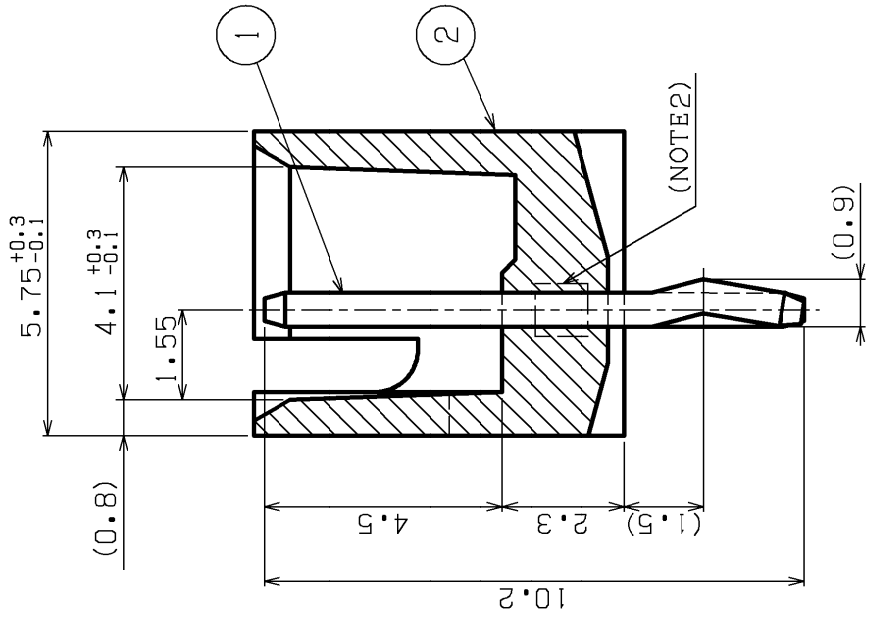
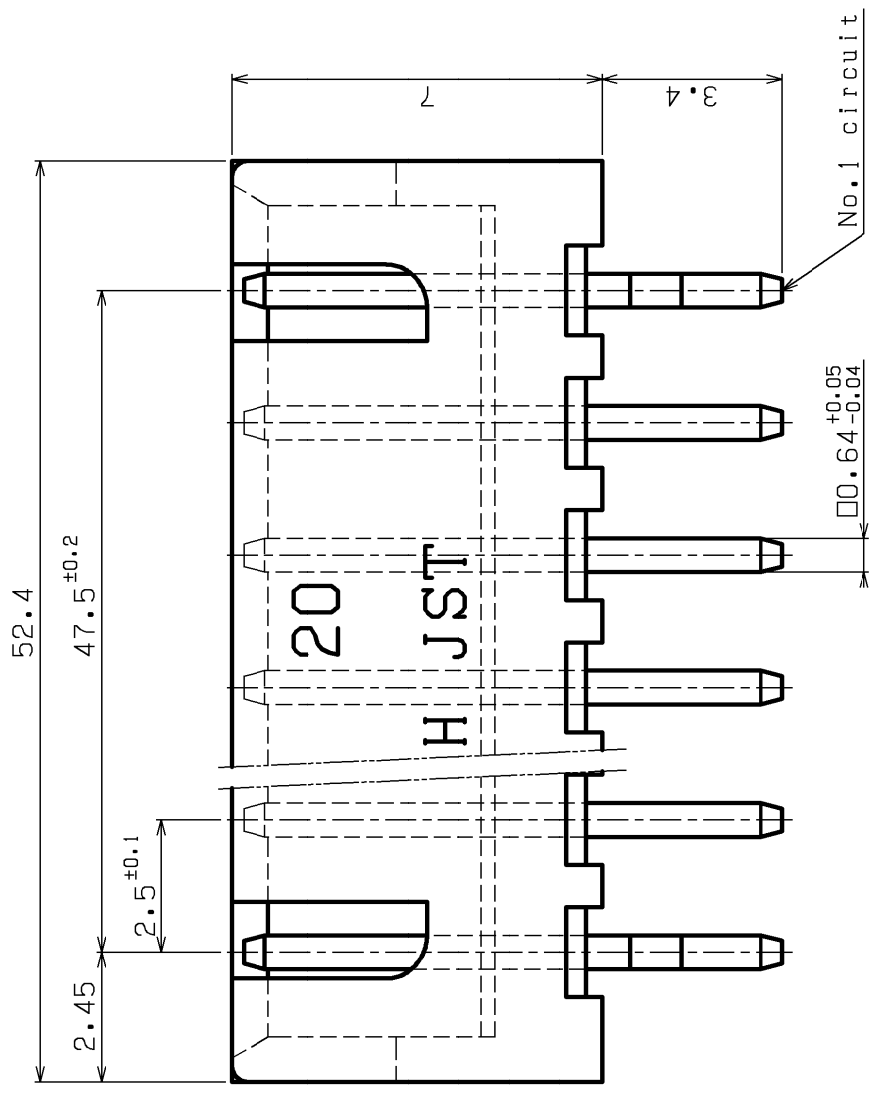
REV.	DESCRIPTION	DATE	DESIGNED
△			



Recommendable P.C.Board hole layout

NOTE

1. Unless otherwise specified, tolerances are ± 0.3
2. Post side with holding construction for housing.
3. If using products as VDE approval, please print visible marking of "No.1" or equivalent marking on PCB.
4. Tolerance of hole pitch on PCB are not cumulative.

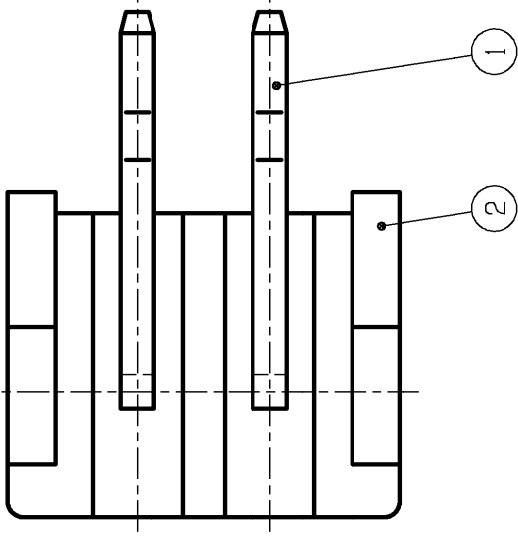
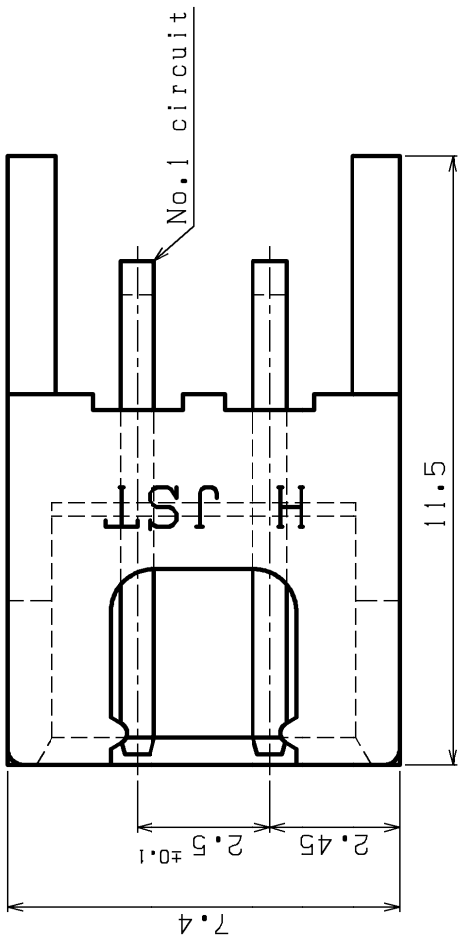


2	WAFER	66NYLON	UL94V-0, NATURAL
1	POST	BRASS	COPPER-UNDERPLATED TIN-PLATED
No.	PART NAME	MATERIAL	SURFACE FINISH
SIZE	UNIT	SCALE	PROJECTION
A3	METRIC	7:1	DATE
APPROVED	CHECKED	DESIGNED	DRAWN
S.K		T.S	M.Y
OCT.14.2005			
CUSTOMER			
SERIES NAME		XH, NR CONNECTOR	
PART No.		B20B-XH-A (L.F) (SN)	
DRAWING No.		KRD-38225	R0

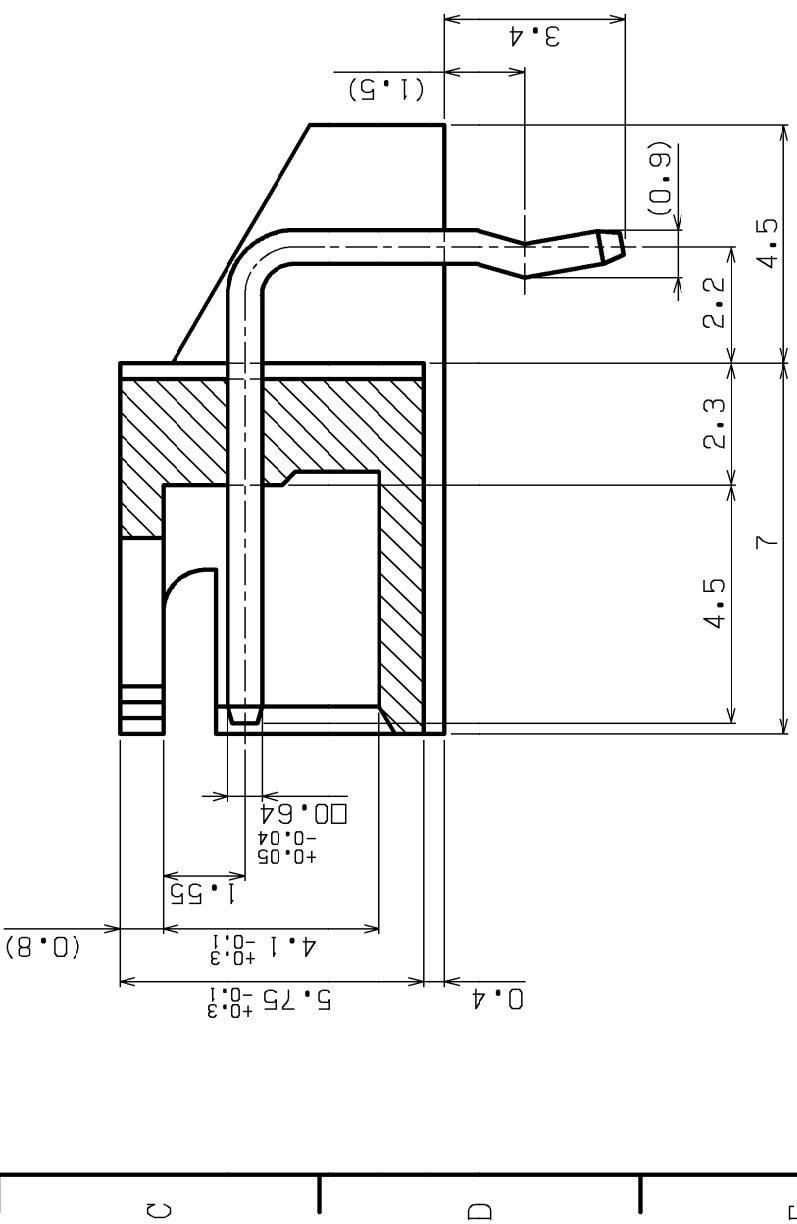
JST J.S.T.MFG.CO., LTD.

1 2 3 4 5 6 7 8

REV.	DESCRIPTION	DATE	DESIGNED
△			



NOTE
 1. Unless otherwise specified, tolerances are ±0.3
 2. If using products as VDE approval, please print visible marking of "No.1" or equivalent marking on PCB.



Recommendable P.C.Board hole layout

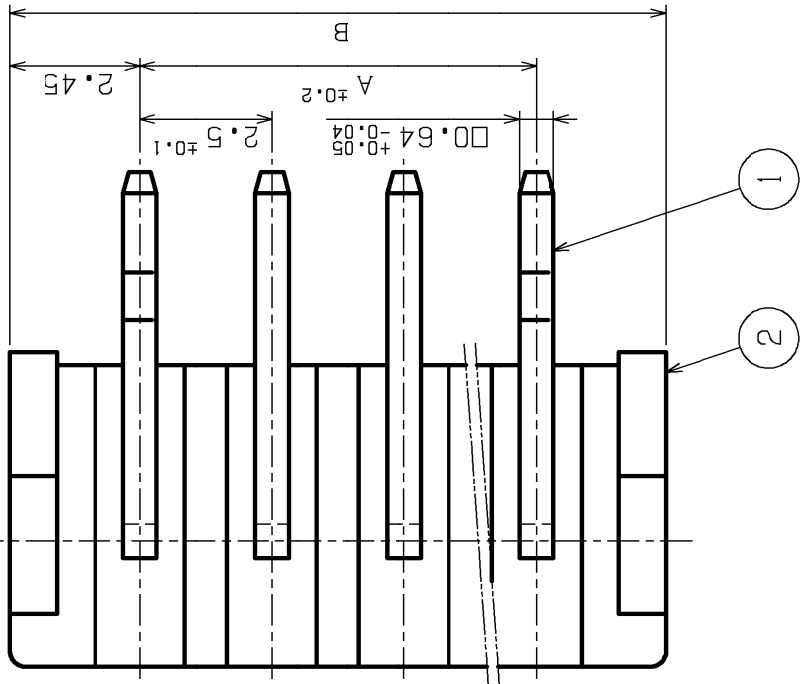
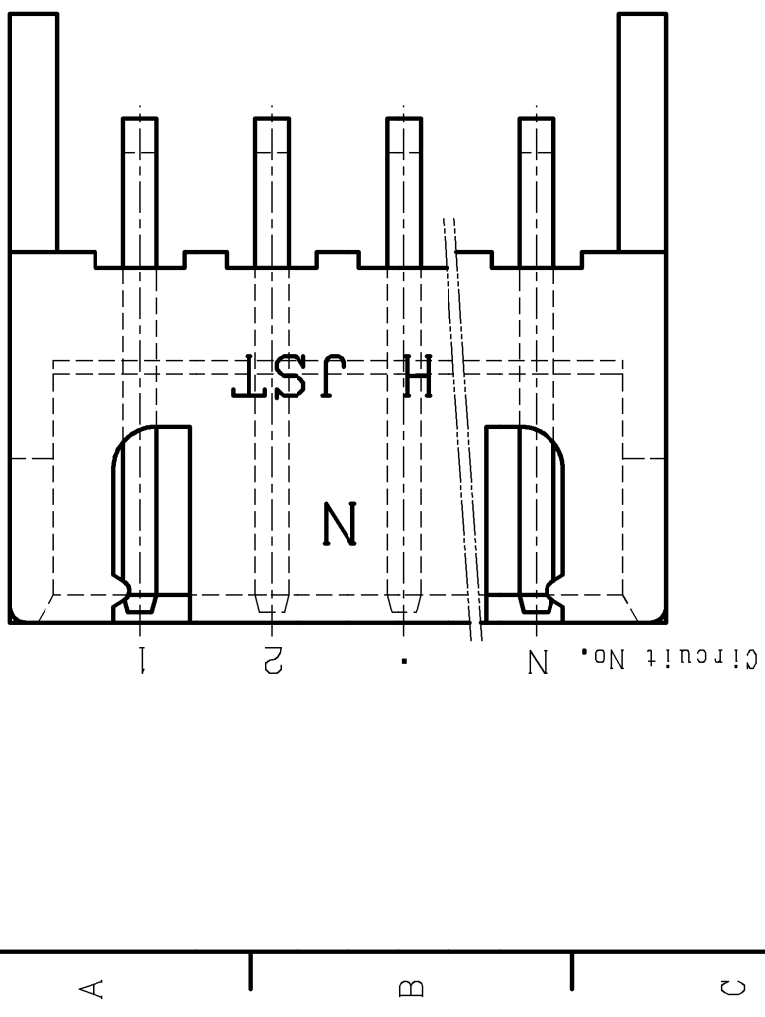
2	WAFER	66NYLON			UL94V-0, NATURAL
1	POST	BRASS			COPPER-UNDERPLATED TIN-PLATED
No.	PART NAME	MATERIAL	SURFACE FINISH		
SIZE	UNIT	SCALE	PROJECTION	DATE	CUSTOMER
A3	METRIC	7:1	⊕	APR. 1.2008	
APPROVED	CHECKED	DESIGNED	DRAWN		
S.K		T.S	M.Y		
JST J.S.T.MFG.CO., LTD.					
					SERIES NAME
					XH, NR CONNECTOR
					PART No.
					S2B-XH-A (LF) (SN)
					DRAWING No.
					KRD-34612-2
					RO

THIS DRAWING CONTAINS INFORMATION THAT IS PROPRIETARY TO J.S.T. AND SHOULD NOT BE USED WITHOUT WRITTEN PERMISSION.

EC4109-2

1 2 3 4 5 6 7 8

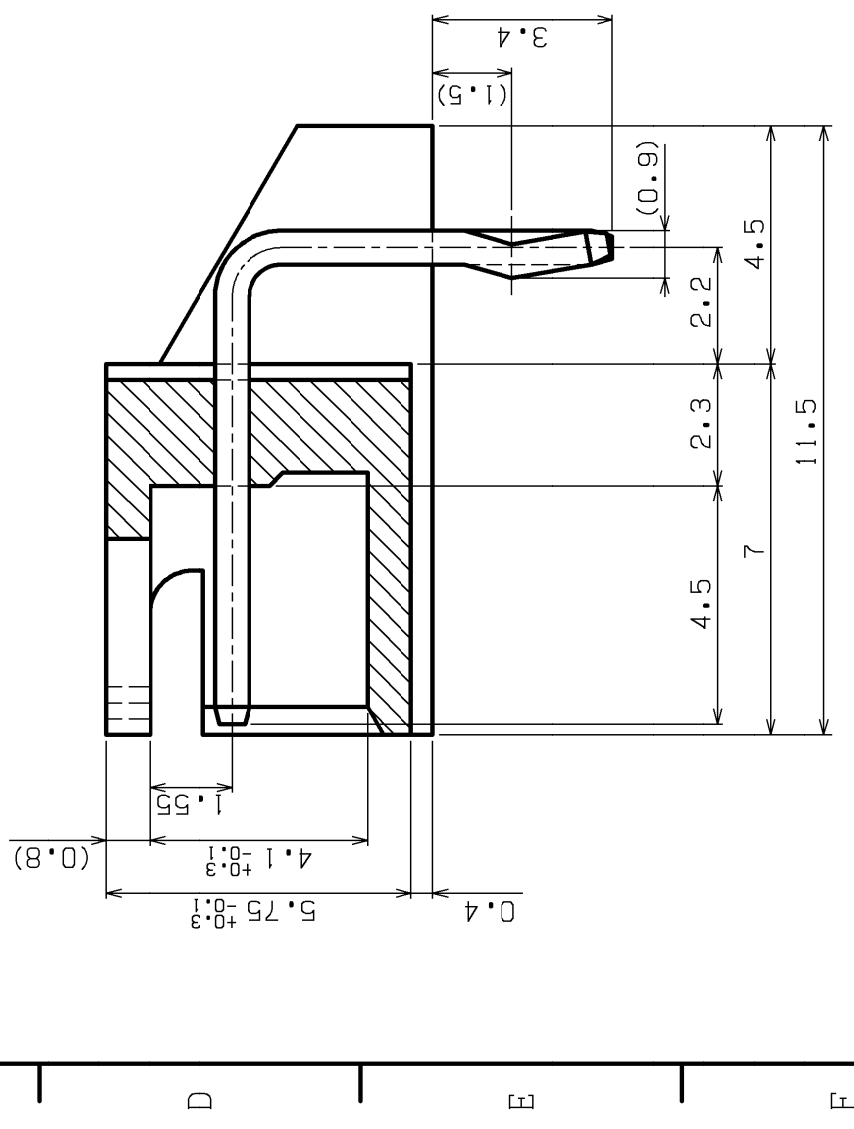
REV.	DESCRIPTION	DATE	DESIGNED
△			



NOTE

1. Unless otherwise specified, tolerances are ± 0.3
2. If using products as VDE approval, please print visible marking of "No.1" or equivalent marking on PCB.
3. Tolerance of hole pitch on PCB are not cumulative.

Cir-cuits	A	B
3	5.0	9.9
4	7.5	12.4
5	10.0	14.9
6	12.5	17.4
7	15.0	19.9
8	17.5	22.4
9	20.0	24.9
10	22.5	27.4
11	25.0	29.9
12	27.5	32.4
13	30.0	34.9
14	32.5	37.4
15	35.0	39.9
16	37.5	42.4



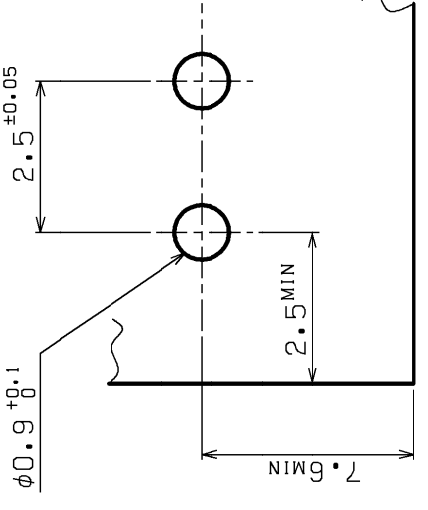
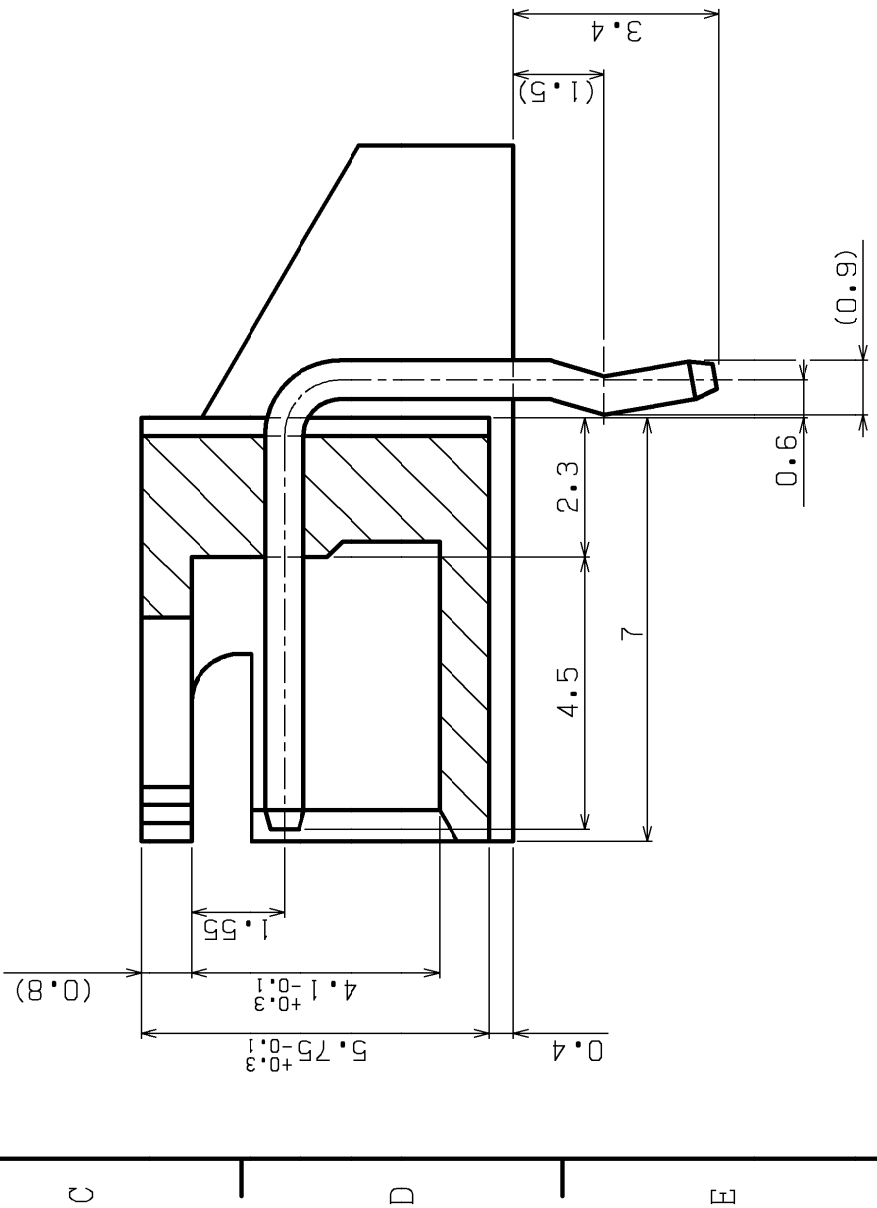
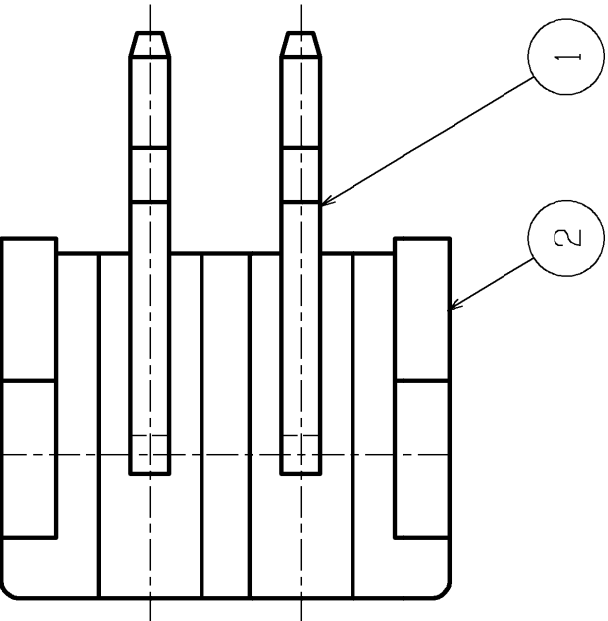
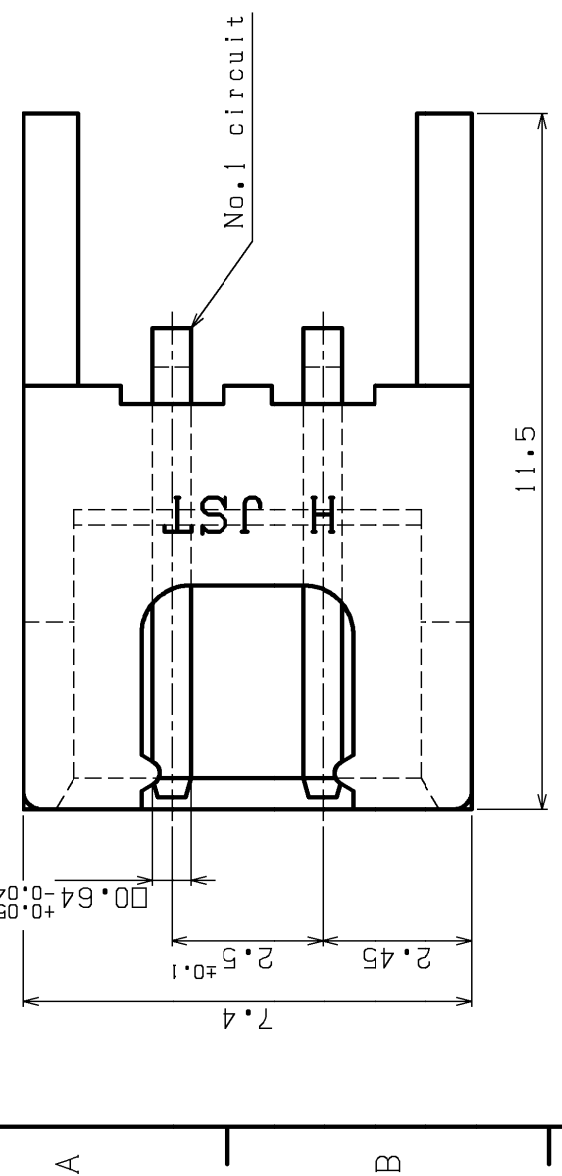
Recommendable P.C. Board hole layout

2	WAFER	66NYLON	UL94V-0, NATURAL
1	POST	BRASS	COPPER-UNDERPLATED TIN-PLATED
No.	PART NAME	MATERIAL	SURFACE FINISH
SIZE	UNIT	SCALE	PROJECTION
A3	METRIC	7:1	DATE
APPROVED	CHECKED	DESIGNED	DRAWN
S.K		E.N	M.Y
CUSTOMER			
SERIES NAME		XH, NR CONNECTOR	
PART No.		S () B-XH-A (LF) (SN)	
DRAWING No.		KRD-34613-1	
		RO	

JST J.S.T.MFG.CO., LTD.

1 2 3 4 5 6 7 8

REV.	DESCRIPTION	DATE	DESIGNED
△			



Recommendable P.C.Board hole layout

NOTE
 1. Unless otherwise specified, tolerances are ±0.3
 2. If using products as VDE approval, please print visible marking of "No.1" or equivalent marking on PCB.

2	WAFER	66NYLON	UL94V-0, NATURAL
1	POST	BRASS	COPPER-UNDERPLATED TIN-PLATED
No.	PART NAME	MATERIAL	SURFACE FINISH
SIZE	UNIT	SCALE	PROJECTION
A3	METRIC	8:1	1st ANGLE
APPROVED	CHECKED	DESIGNED	DATE
S.K		M.I	FEB. 4.2005
		DESIGNED	DRAWN
		M.I	N.H
CUSTOMER			
SERIES NAME		XH, NR CONNECTOR	
PART No.		S2B-XH-A-1 (LF) (SN)	
DRAWING No.		KRD-34614	RO

JST J.S.T.MFG.CO., LTD.

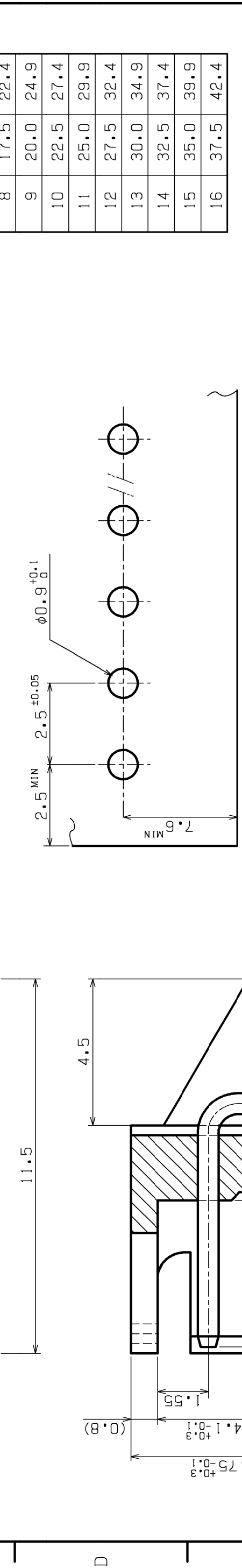
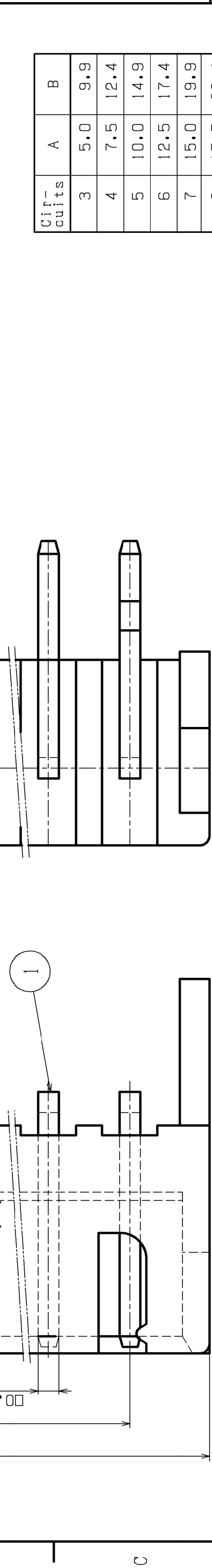
THIS DRAWING CONTAINS INFORMATION THAT IS PROPRIETARY TO J.S.T. AND SHOULD NOT BE USED WITHOUT WRITTEN PERMISSION.

EC4109-2

1	2	3	4	5	6	7	8
DESIGNED	DATE	DESCRIPTION	REV.				

NOTE

- Unless otherwise specified, tolerances are ± 0.3
- If using products as VDE approval, please print visible marking of "No.1" or equivalent marking on PCB.
- Tolerance of hole pitch on PCB are not cumulative.



Recommendable P.C.Board hole layout

2	WAFER	66NYLON	UL94V-0, NATURAL
1	POST	BRASS	COPPER-UNDERPLATED TIN-PLATED
No.	PART NAME	MATERIAL	SURFACE FINISH
SIZE	UNIT	SCALE	PROJECTION
A3	METRIC	8:1	FEB. 4. 2005
APPROVED	CHECKED	DESIGNED	DRAWN
S.K	M.I	M.I	N.H
CUSTOMER			
SERIES NAME		XH, NR CONNECTOR	
PART No.		S () B-XH-A-1 (LF) (SN)	
DRAWING No.		KRD-34615-1	
		RO	