

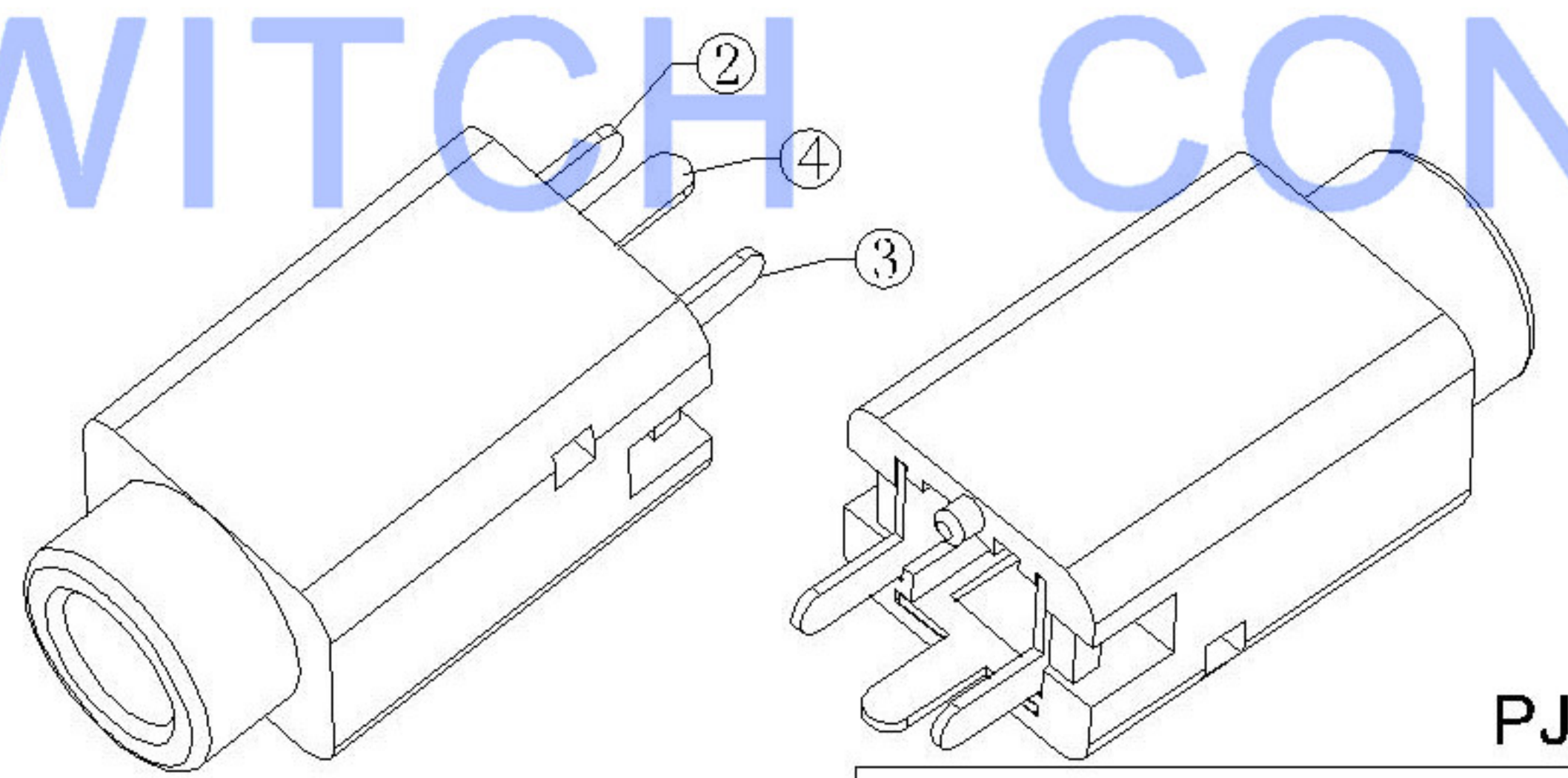
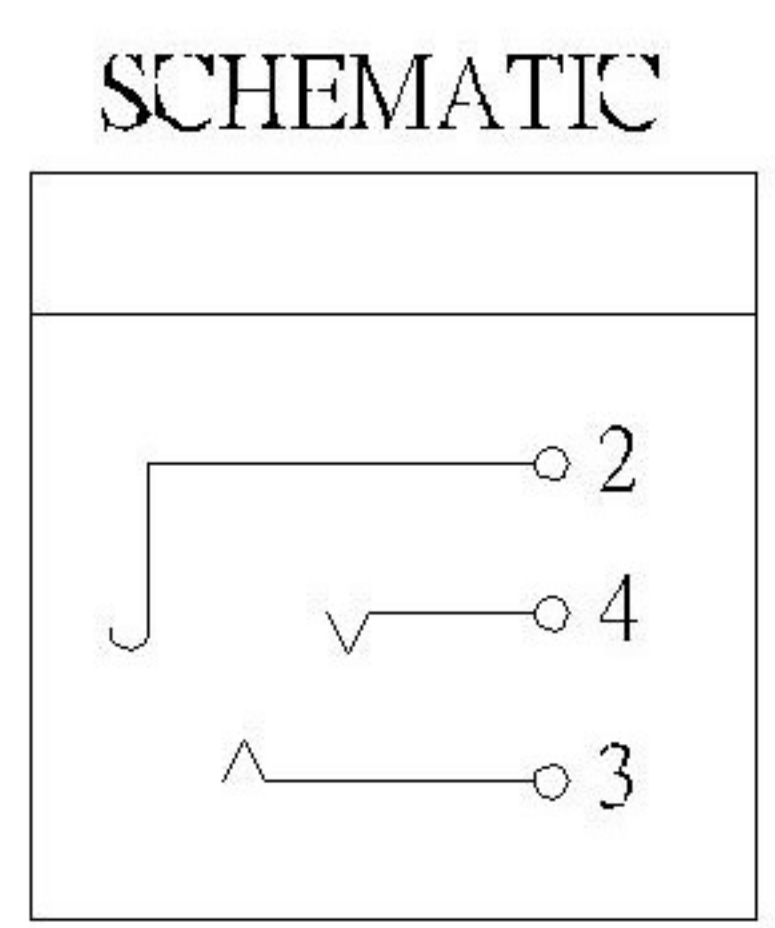
P.C.B LAYOUT MOUNTING PATTERN (TOP VIEW)

SPECIFICATION

- 1. Rating : DC 30V 0.5A ;
- 2. Contact resistance : $\leq 30m\Omega$;
- 3. Insulation resistance : $\geq 100M\Omega$;
- 4. Withstand voltage : 500VAC ;
- 5. Insertion and extraction force : 3-20N
- 6. life test : 5,000 cycles °

ø3.50mm 3 POLE PLUG

SWITCH CONNECTOR



PJ-3059-X

R:red G:green
T:transparent Y:yellow B:black

NO	DESCRIPTION	QTY	MATFRIAL	REMARK
4	CONTACT FOOT	1	Phosphor Bronze	Ag-Plated
3	CONTACT FOOT	1	Phosphor Bronze	Ag-Plated
2	CONTACT FOOT	1	Phosphor Bronze	Ag-Plated
1	HOUSING	1	PBT	

DSND	DATE	SCALE: N/A	MODEL TYPE.
DWN	DATE	VIEW:	3.5 DIP PHONE JACK
CHKD	DATE	UNIT: mm	PART NO.:
APPD	DATE	SIZE: A4	DWG NO.: PJ-3059-X
XKB INDUSTRIAL PRECISION CO., LIMITED			WEIGHT: 1.0g
			SHEET: 1/1
			REVISION: A0

MARK	DESCRIPTION	DATE	REVISED	APPROVED	UNSPECIFIED TOLERANCES
△ X					units: mm
△ X					tolerance: X.X ±0.2mm
△ X					X.XX ±0.1mm
					X.XXX ±0.05mm