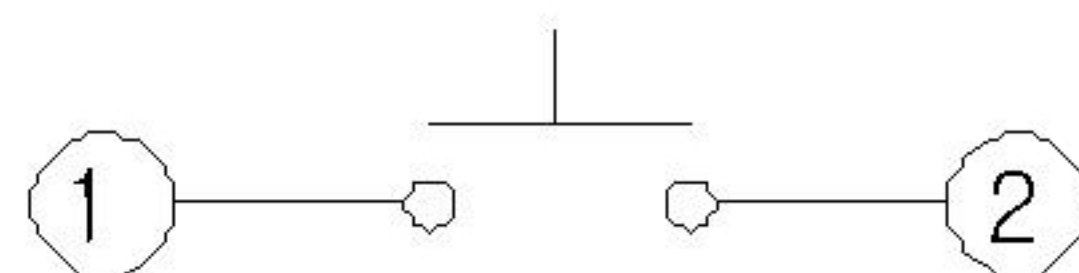
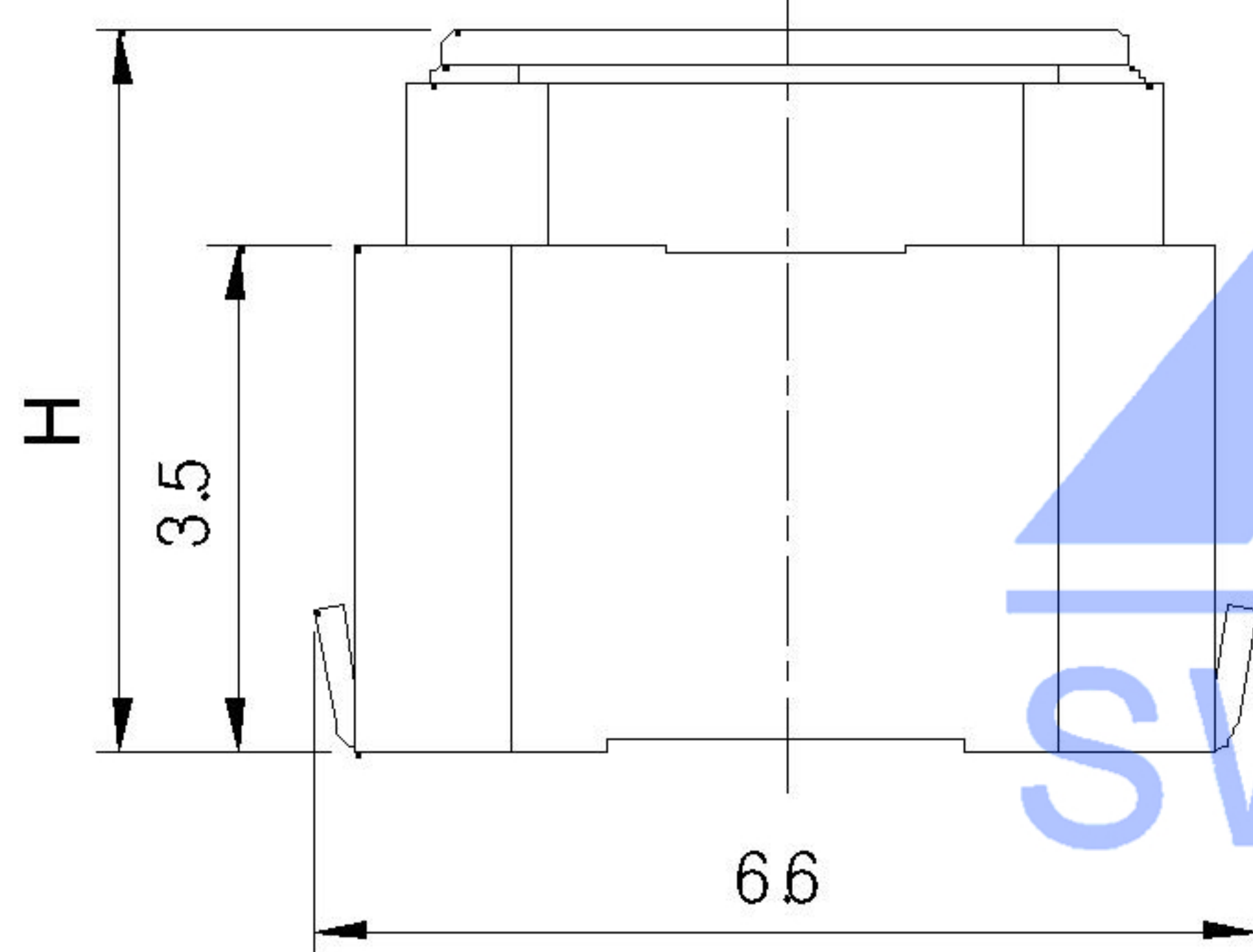
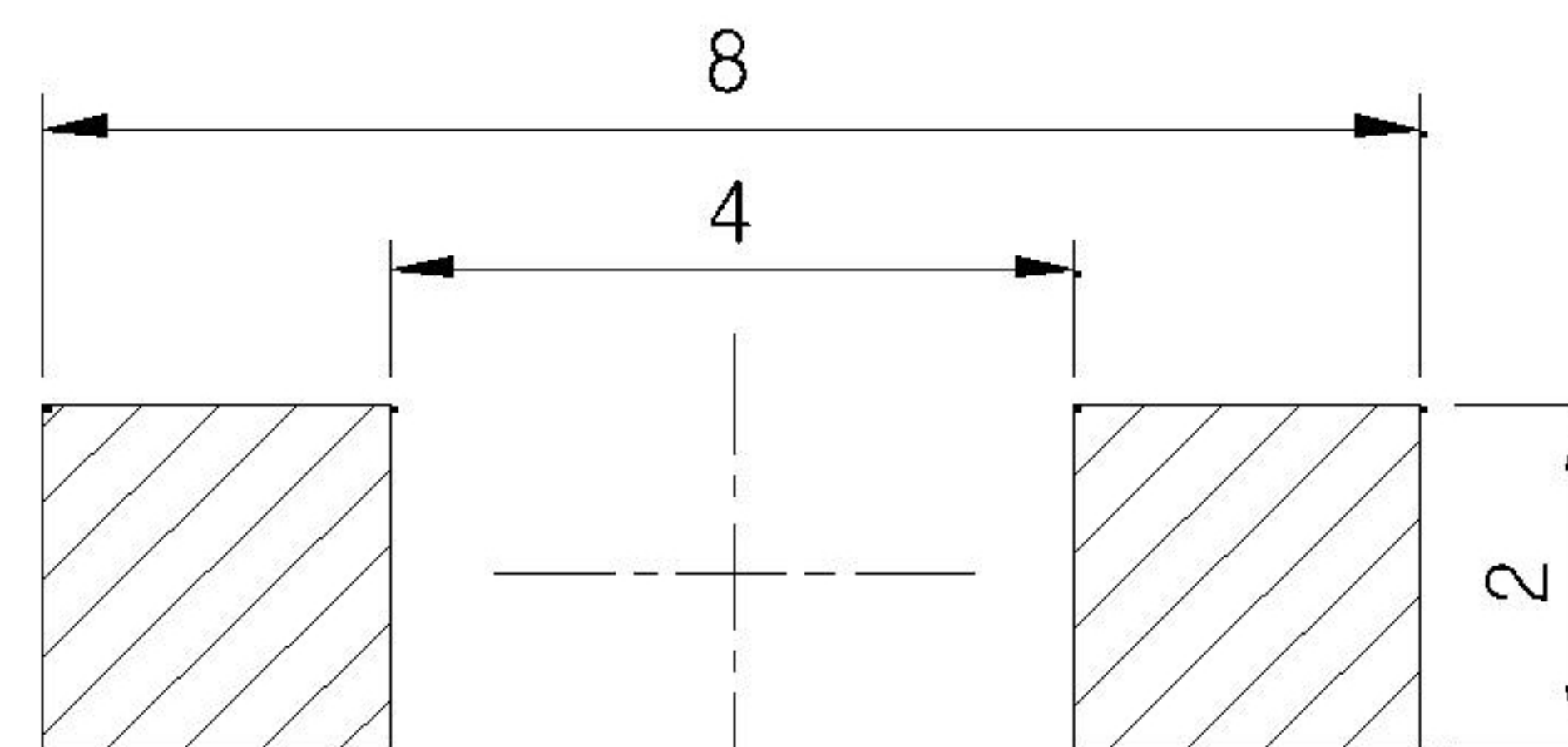


CIRCUIT DIAGRAM



SM D REFL OW PATTERN



XKLB

SWITCH CONNECTOR

SPECIFICATION

Contact Rating	50mA, 12V DC
Contact Resistance	100mΩ max.
Insulation Resistance	100MΩ min. 500V DC
Dielectric Strength	250V AC/1 minute
Travel	1.3 mm
Operating Temp.	-25°C +70°C
Storage Temp.	-30°C +80°C

PAPT NO	TS-1199A-X
Operating Force	B: 160gf C: 260gf
Height	II: A: 4.3 B: 5.0

ITEM	PAPT NAME	TER,NO	QTY	MATERIAL	FINISHING	REMARK
⑤	Terminal	—	2	Brass (0.30t)	ag Plated	—
④	Contact	—	1	Silica gel	—	—
③	Base	—	1	PA9T	—	—
②	Cover	—	1	PA9T	Tin plated	—
①	Keystake	—	1	PA9T	—	—

MARK	DESCRIPTION	DATE	REVISED	APPROVED	UNSPECIFIED TOLERANCES
Δx					units: mm
Δx					tolerance: X.X ±0.2mm
Δx					X.XX ±0.1mm
					X.XXX ±0.05mm
REVISIONS					
www.xk-dg.cn www.helloxkb.com www.helloxkb.cn					

DSND		DATE		SCALE: N/A	MODEL TYPE: TACT SWITCH
DWN		DATE		VIEW:	PART NO.:
CHKD		DATE		UNIT: mm	DWG NO.:
APPD		DATE		SIZE: A4	TS-1199A-X
XKB INDUSTRIAL PRECISION CO.,LIMITED				WEIGHT	SHEET
				1.0g	1/1
					REVISION
					A0