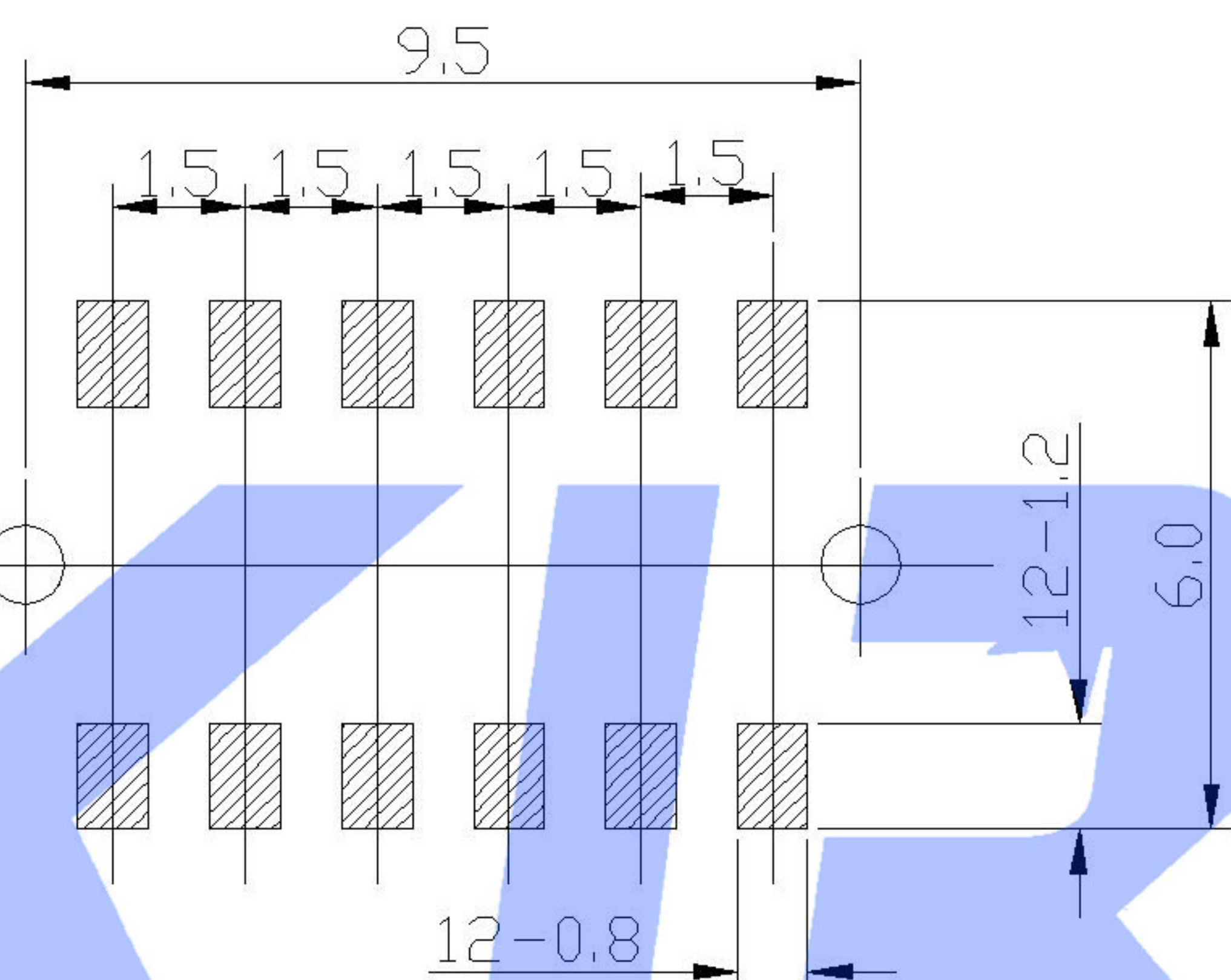
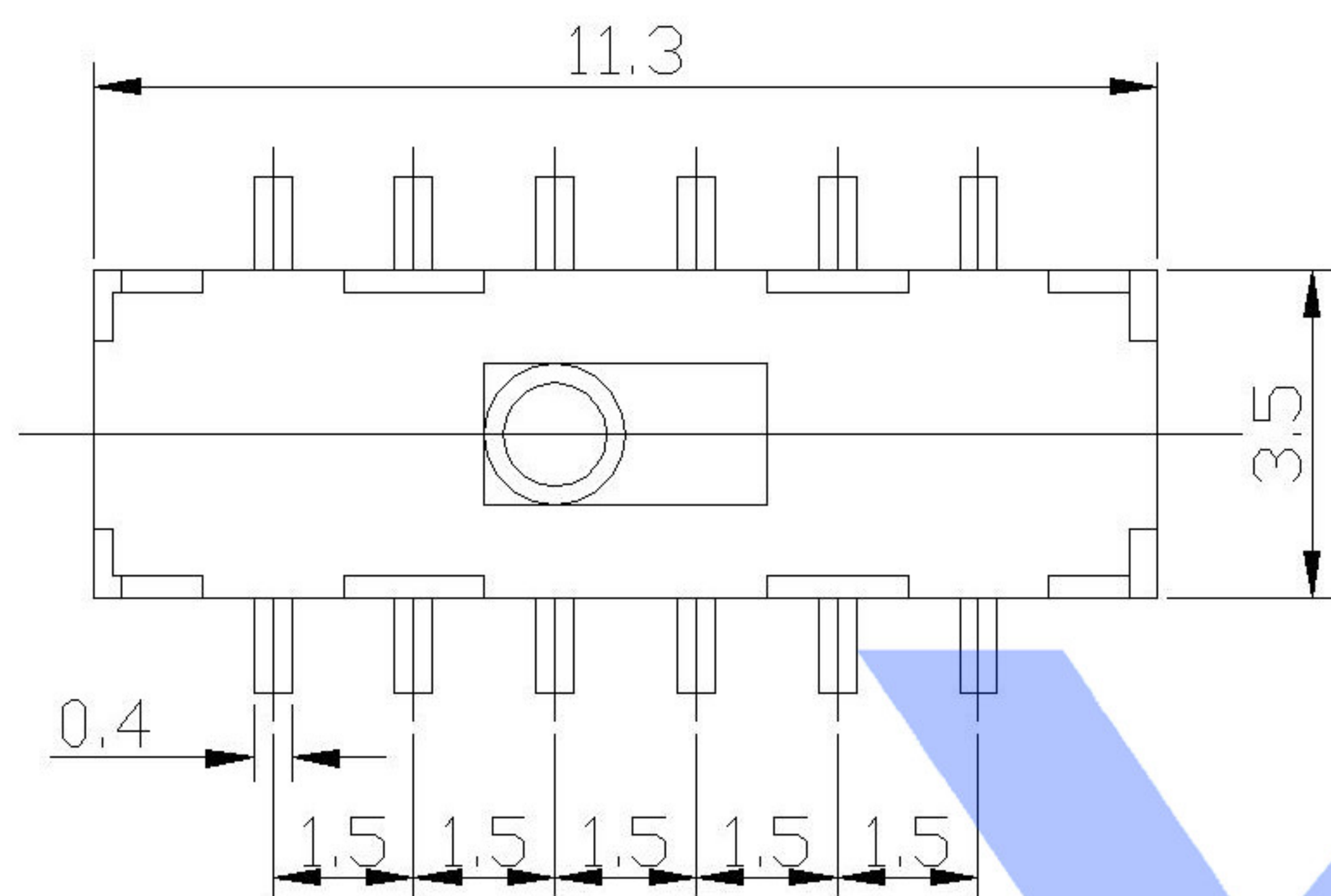
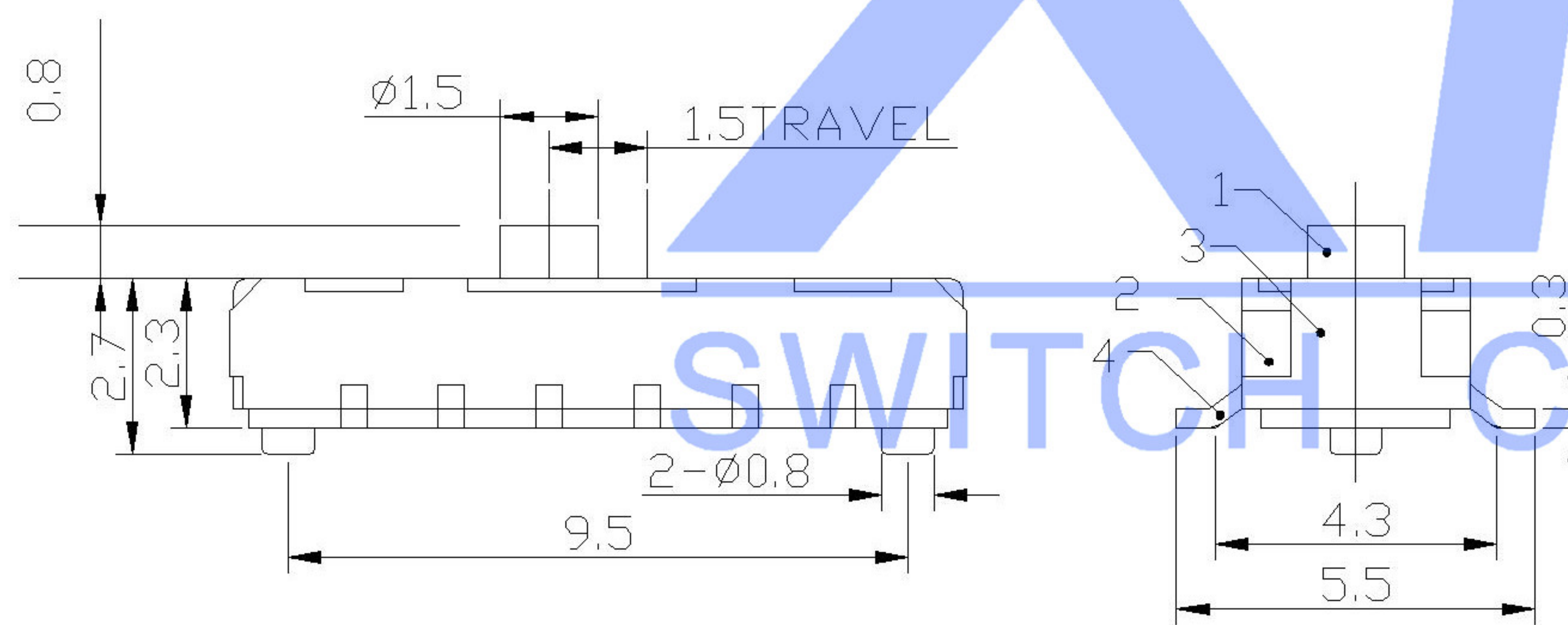


SCHMATIC



P.C.B LAYOUT



# SWITCH CONNECTOR

ITEM	PAPT NAMF	TER,NO	QTY	MATERIAL	FINISHING	REMARK
④	Terminal	—	12	Brass (0.30t)	ag Plated	—
③	Base	—	1	PA46	Black	—
②	Cover	—	1	SUS	—	—
①	Keystake	—	1	PA46	Black	—

DSND	DATE	SCALE: N/A	MODEL TYPE: SLIDE SWITCH
DWN	DATE	VIEW:	PART NO.:
CHKD	DATE	UNIT: mm	DWG NO.: MS-42D20Y
APPD	DATE	SIZE: A4	
XKB INDUSTRIAL PRECISION CO., LIMITED			WEIGHT: 1.0g
			SHEET: 1/1
			REVISION: A0

MARK	DESCRIPTION	DATE	REVISED	APPROVED	UNSPECIFIED TOLERANCES
ΔX					ANGLAR ±5'
ΔX					Lf 4 ±0.2
ΔX					4<Lf 16 ±0.3
					16<Lf 63 ±0.4
					L> 63 ±0.5