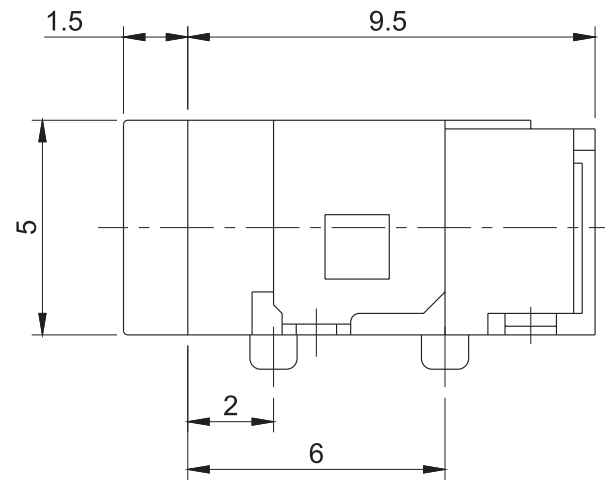
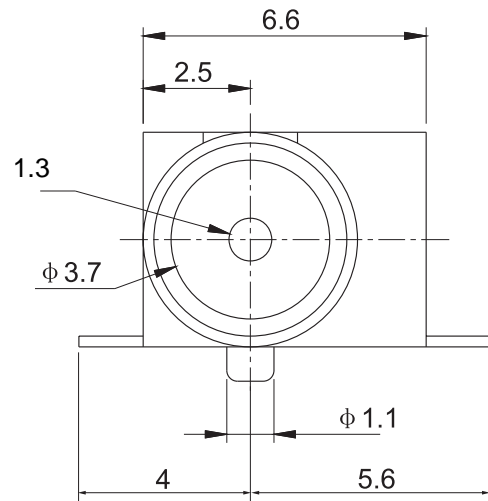
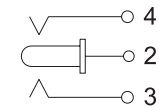
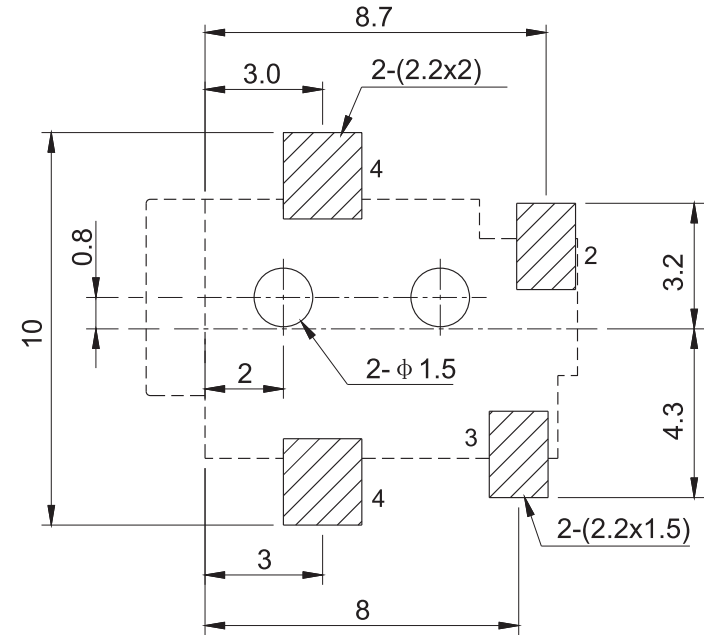


REV	A		
DATB	02/12/24		



P.C.B LAYOUT TOP VIEW



7	TERMINAL-3	BRASS-0.4T	2	Tin Plating
6	TERMINAL-2	BRASS-0.4T	2	Tin Plating
5	TERMINAL-1	BRASS-0.5T	2	Tin Plating
4	SOCKET	BRASS-0.4T	4	Tin/Gold Plating
3	UP&DOWN COVER	ABS	2	BLACK
2	WASHER	ABS	4	
1	HOUSING	ABS	1	BLACK
NO	PART	MATERIAL	QTY	REMARKS

TOLERANCE	
UNDER 1	0.05
1-10	0.15
OVER 10	0.25

TITLE:		DC POWER JACK(SMT)	ITEM NO	DC-031A
DRAWING:	董丽明	02/12/24	SCALE	UNIT mm
APPROVE:			PROJECTION	