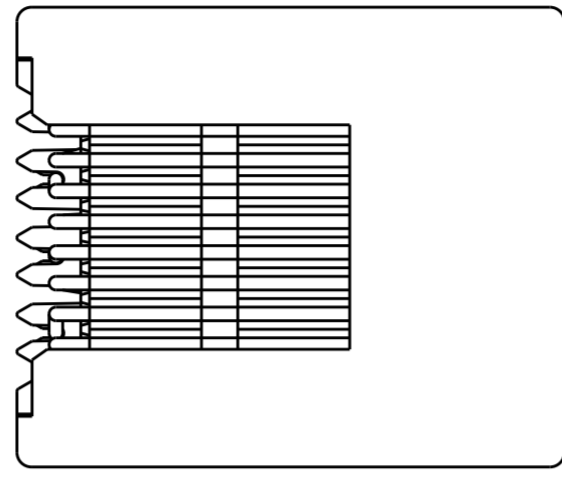
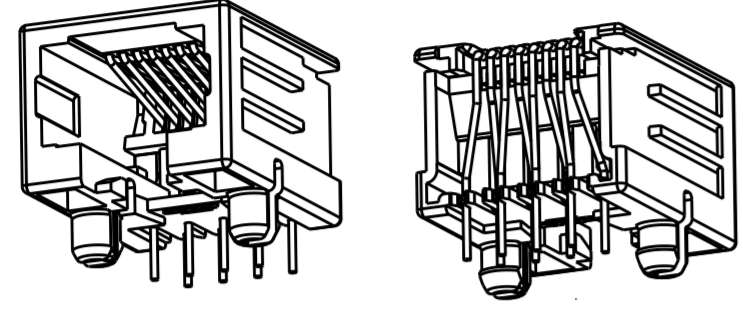


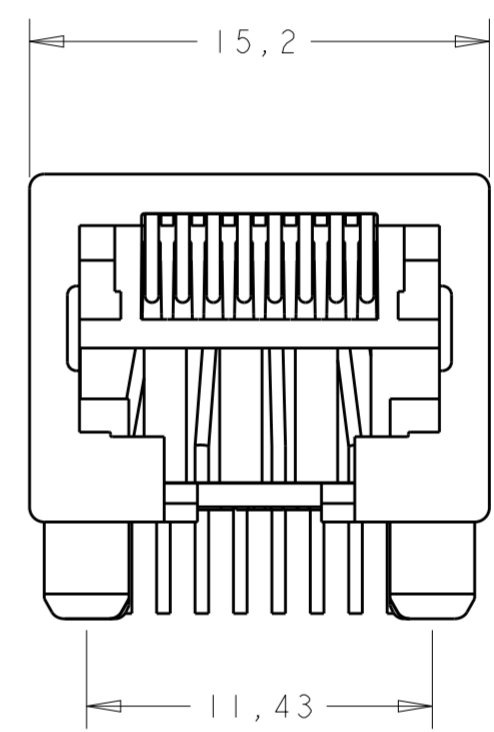
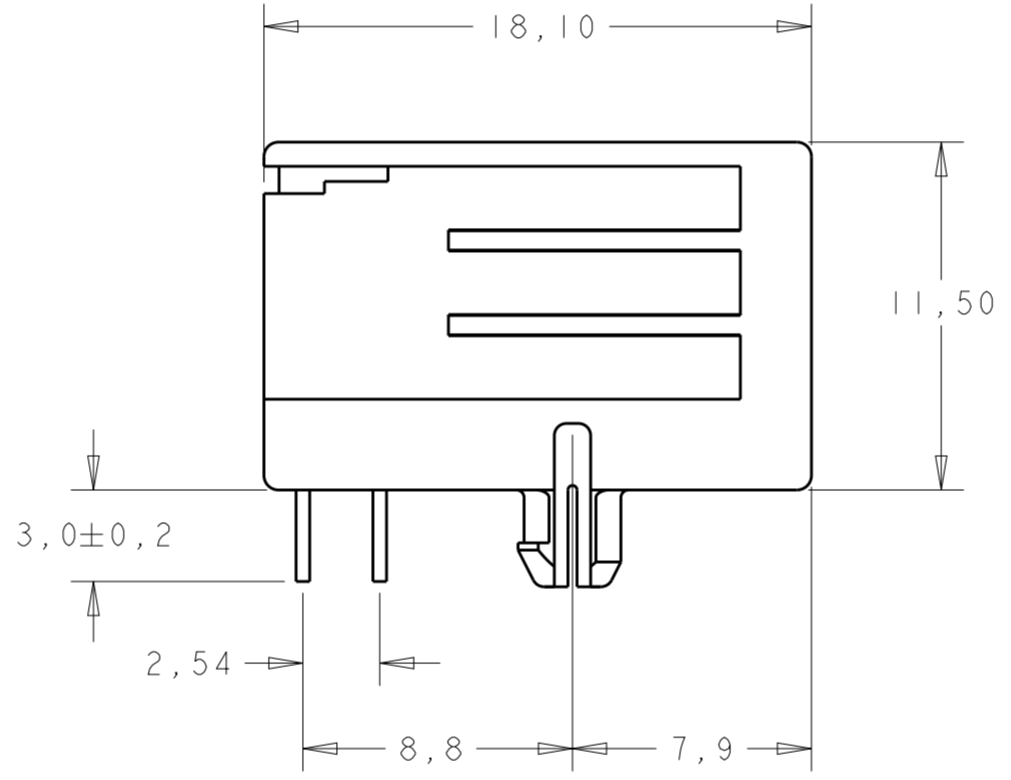
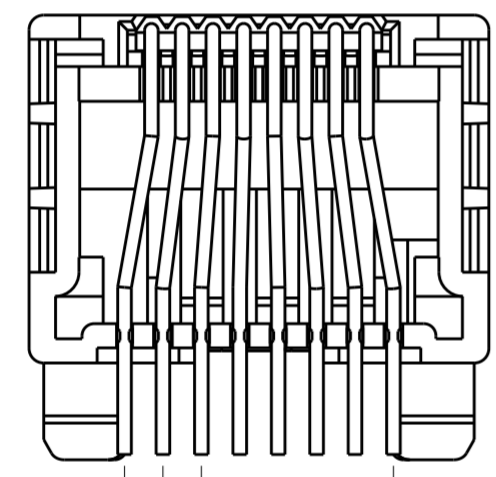
THIS DRAWING IS UNPUBLISHED. RELEASED FOR PUBLICATION  
 © COPYRIGHT - ALL RIGHTS RESERVED.

LOC	DIST	REVISIONS			
P	LTR	DESCRIPTION	DATE	DWN	APVD
IR	-	AF	ECR-10-020218	21JUN2011	PS RRP
		AF1	REVISED PER ECO-12-008315	12MAY2015	AD SH



NOTES:

- 1 TOLERANCE UNLESS OTHERWISE SPECIFIED:  $\pm 0,15$ .
- 2 FOR THIS PACKAGING METHOD THE TRUE POSITION OF THE SOLDER TINES IS NOT GUARANTEED.
- 3 SUPERSEDED BY 1-215877-3



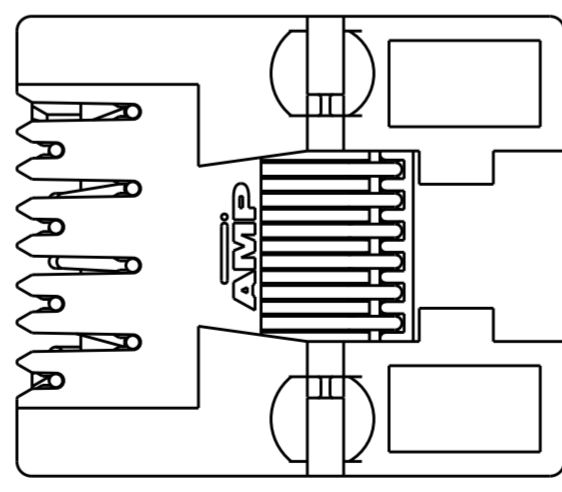
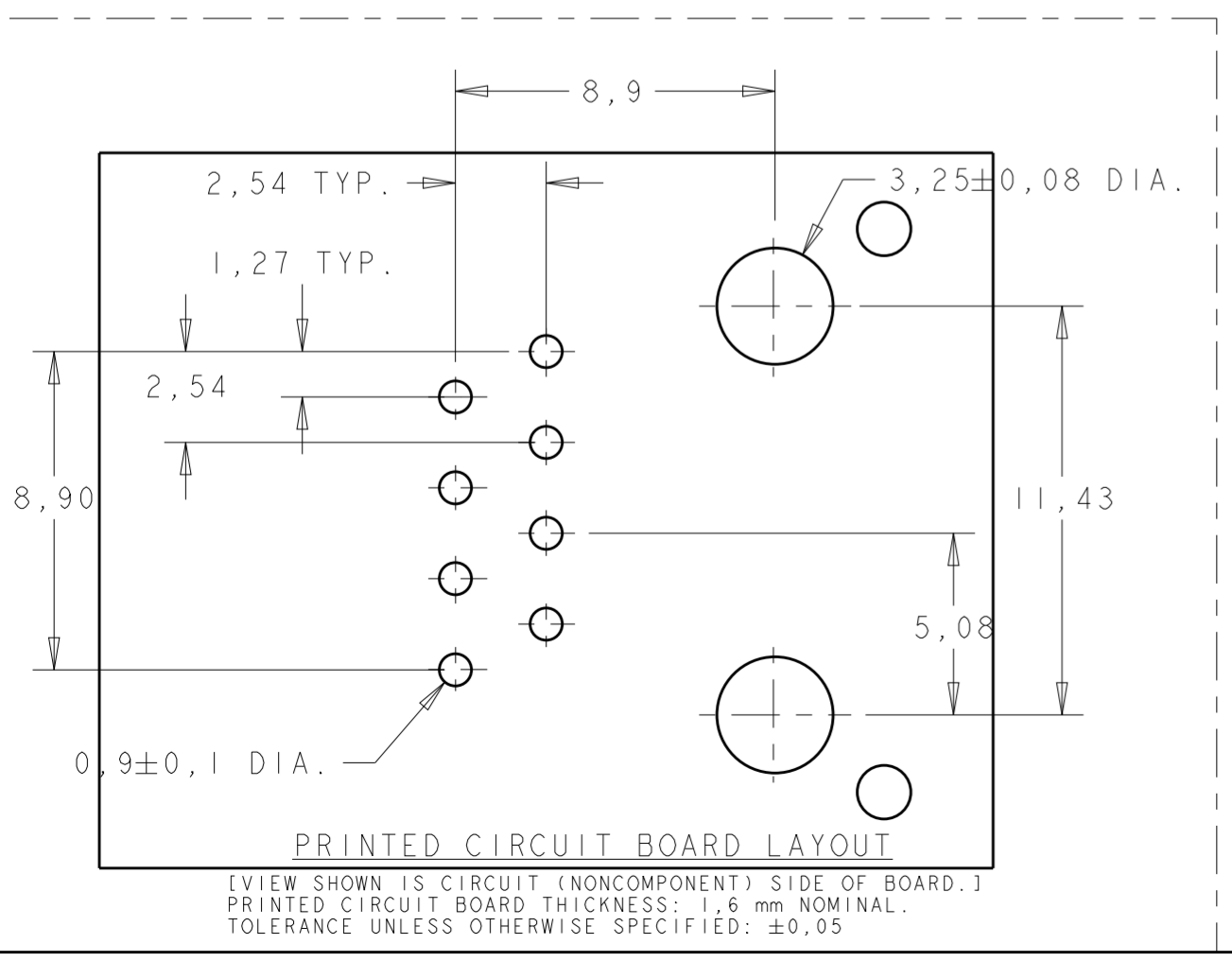
2,54  
 1,27 TYP.  
 8,9

3,0±0,2

2,54

8,8 7,9

11,43



**SUPERSEDED BY 215877-1**

PACKAGING	REMARKS	FINISH	MATERIAL	ORDER NUMBER
1000 PIECES BULK PACKAGED			HOUSING COLOR: BLUE RAL 5017	4-215877-1
<del>1000 PIECES BULK PACKAGED</del>			HOUSING COLOR: GREY RAL 7035	3-215877-1
200 PIECES IN A TRAY	8 POS. / 8 CONTACTS		HOUSING COLOR: BLACK PBT: UL 94V-0 CONTACT INSERT: PBT: UL 94V-0 CONTACTS: PH BRONZE	1-215877-3
<del>99 PIECES IN MULTI TUBE</del>				1-215877-1
TAPE MOUNTED 700 PCS./REEL				215877-1

OVERALL: Ni 1,27µm MIN. ALL OVER THE CONTACTS  
 SOLDER ZONE: Sn 2,5µm MIN. ON THE SOLDER ZONE OF THE CONTACT  
 MATING ZONE: PLATING CONFIRMS TO PRODUCT REQUIREMENTS AS PER SPECIFICATION 108-19064

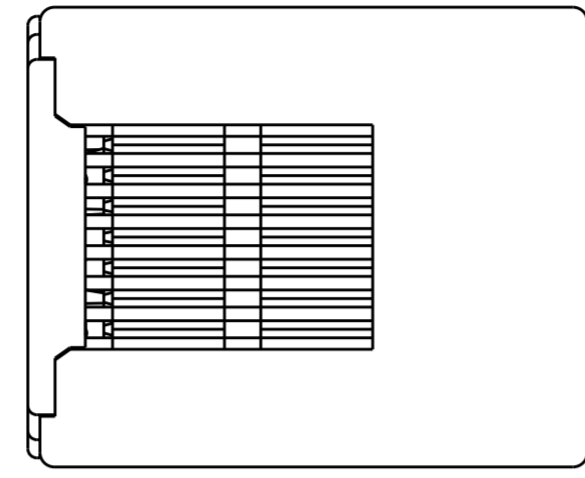
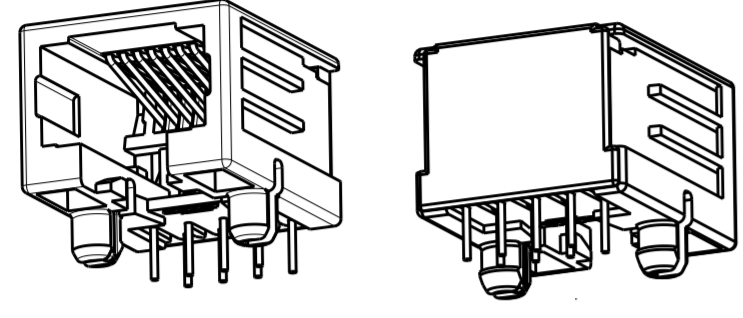
THIS DRAWING IS A CONTROLLED DOCUMENT.

DIMENSIONS: mm	TOLERANCES UNLESS OTHERWISE SPECIFIED:	DWN: E.v.Eijk	TE Connectivity	
0 PLC ±	1 PLC ±	CHK: M.v.Essen	NAME: MODULAR JACK, 8 POS SIDE ENTRY FOR PRINTED CIRCUIT BOARD	
2 PLC ±	3 PLC ±	APVD: R.Smeets	PRODUCT SPEC: 108-19064	RESTRICTED TO: -
4 PLC ±	ANGLES ±	APPLICATION SPEC: 114-19019	SIZE: A2	CAGE CODE: C-215877
MATERIAL: -	FINISH: -	WEIGHT: -	SCALE: 4:1	SHEET 1 OF 2

CUSTOMER DRAWING

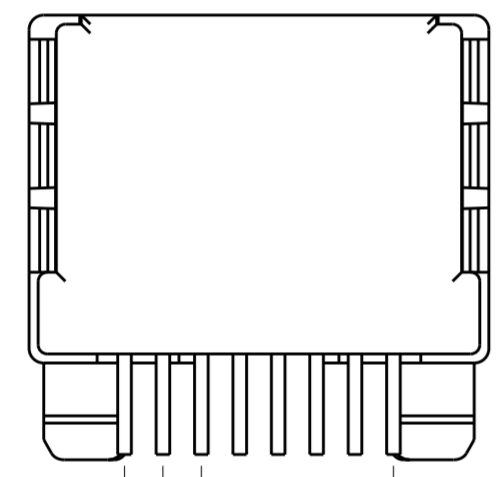
THIS DRAWING IS UNPUBLISHED. RELEASED FOR PUBLICATION  
 © COPYRIGHT - ALL RIGHTS RESERVED.

LOC	DIST	REVISIONS			
P	LTR	DESCRIPTION	DATE	DWN	APVD
IR	-	SEE SHEET 1	-	-	-

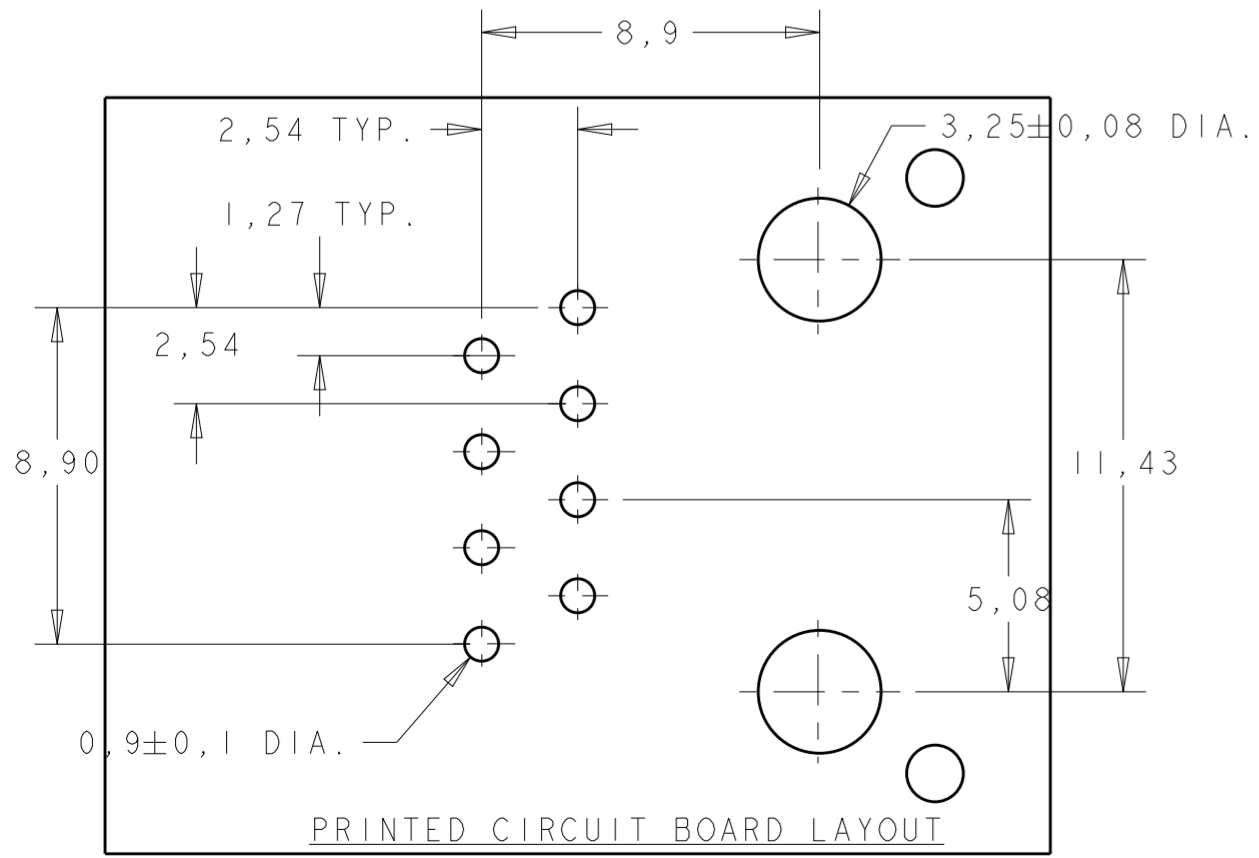
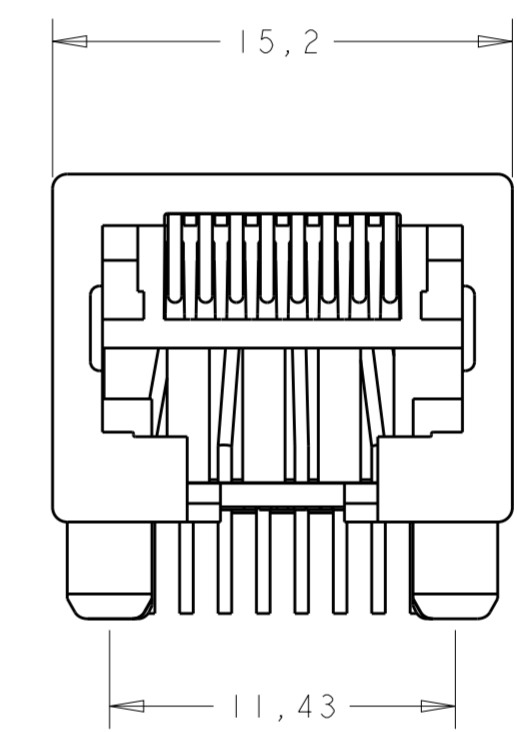
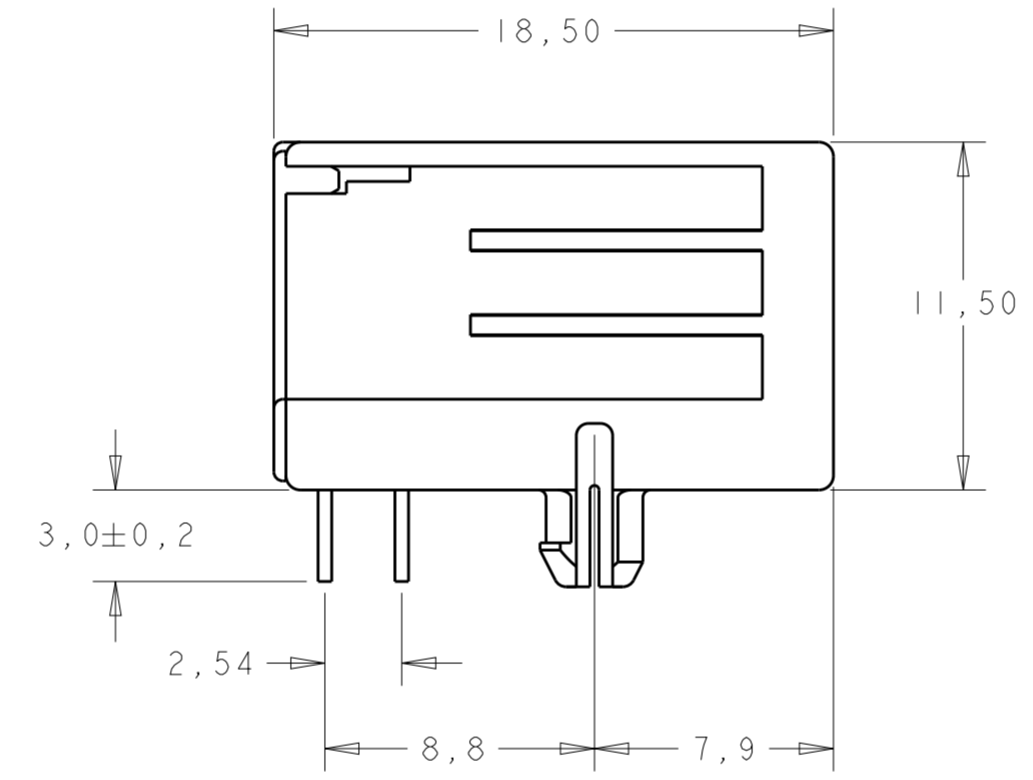


NOTES:

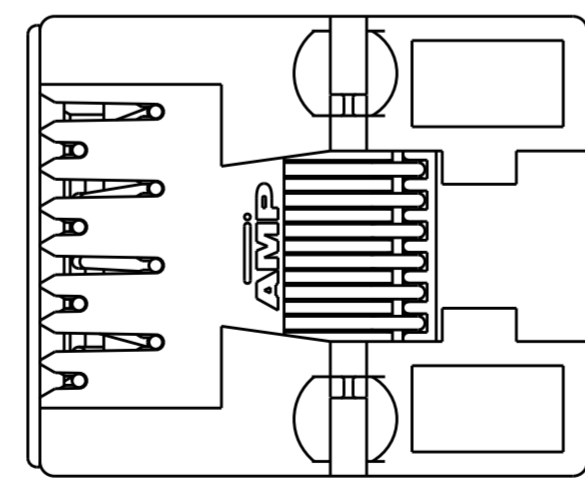
- 1 TOLERANCE UNLESS OTHERWISE SPECIFIED:  $\pm 0,15$ .
- 2 FOR THIS PACKAGING METHOD THE TRUE POSITION OF THE SOLDER TINES IS NOT GUARANTEED.



2,54  
 1,27 TYP.  
 8,9



[VIEW SHOWN IS CIRCUIT (NONCOMPONENT) SIDE OF BOARD.]  
 PRINTED CIRCUIT BOARD THICKNESS: 1,6 mm NOMINAL.  
 TOLERANCE UNLESS OTHERWISE SPECIFIED:  $\pm 0,05$



PACKAGING	REMARKS	FINISH	MATERIAL	ORDER NUMBER
1000 PIECES BULK PACKAGED				INACTIVE 5-215877-3 NOT TOOLED
200 PIECES IN A TRAY	8 POS. / 8 CONTACTS		IN CONTACT AREA: 1,2µm MIN. SEL. GOLD OVER 1,2µm MIN. NICKEL. SOLDER TINES: 2,5µm MIN. TIN OVER 1,2µm MIN. NICKEL.	HOUSING COLOR: BLACK PBT, UL 94V-0 CONTACT INSERT: PBT, UL 94V-0 CONTACT COVER: BLACK PBT, UL 94V-0 CONTACTS: PH BRONZE
TAPE MOUNTED 700 PCS./REEL				INACTIVE 5-215877-2 NOT TOOLED
				INACTIVE 5-215877-1 NOT TOOLED

THIS DRAWING IS A CONTROLLED DOCUMENT.

DWN: E.v.Fijk	CHK: M.v.Essen	APVD: R.Smeets	TE Connectivity	
DIMENSIONS: mm TOLERANCES UNLESS OTHERWISE SPECIFIED: 0 PLC ± 1 PLC ± 2 PLC ± 3 PLC ± 4 PLC ± ANGLES ± FINISH			NAME: MODULAR JACK, 8 POS SIDE ENTRY FOR PRINTED CIRCUIT BOARD SIZE: A2 CAGE CODE: C-215877 DRAWING NO: 108-19064 APPLICATION SPEC: 114-19019 WEIGHT: - SCALE: 4:1 SHEET: 2 OF 2 REV: AFI	
MATERIAL: -			CUSTOMER DRAWING	