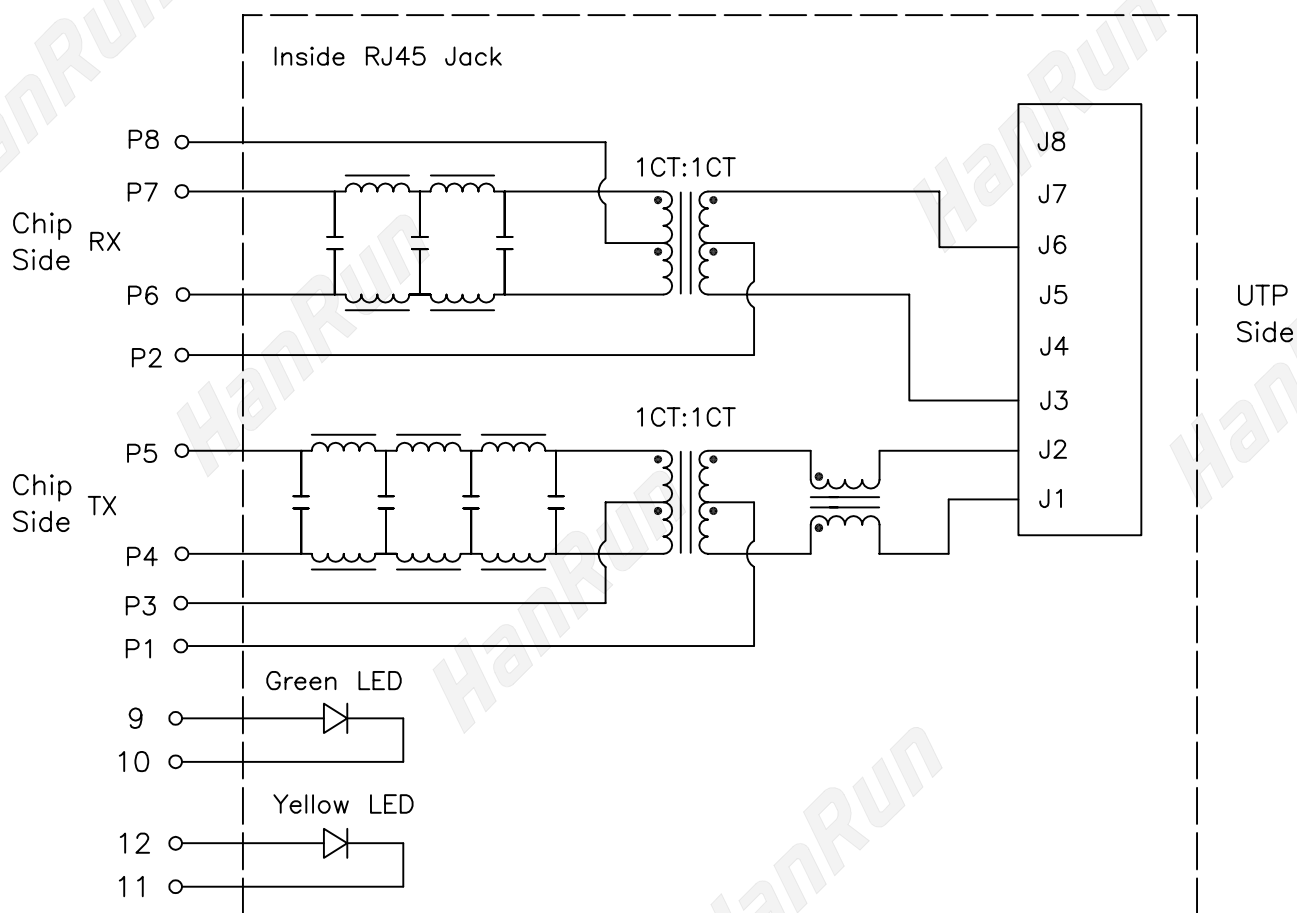


HR911170A

Electrical Specification @25°C

Isolation: 1500Vrms (UTP Side to Chip Side)
 Insertion Loss: -1.0dB Maximum @1MHz ~ 10MHz
 Return Loss: -15dB Minimum @1MHz ~ 10MHz
 Crosstalk: -30dB Minimum @1MHz ~ 10MHz
 Attenuation @30MHz
 Transmit: -30dB Minimum
 Receive: -20dB Minimum
 Cut-off Frequency: 17MHz Typical
 I/O Impedance: 100 ohms

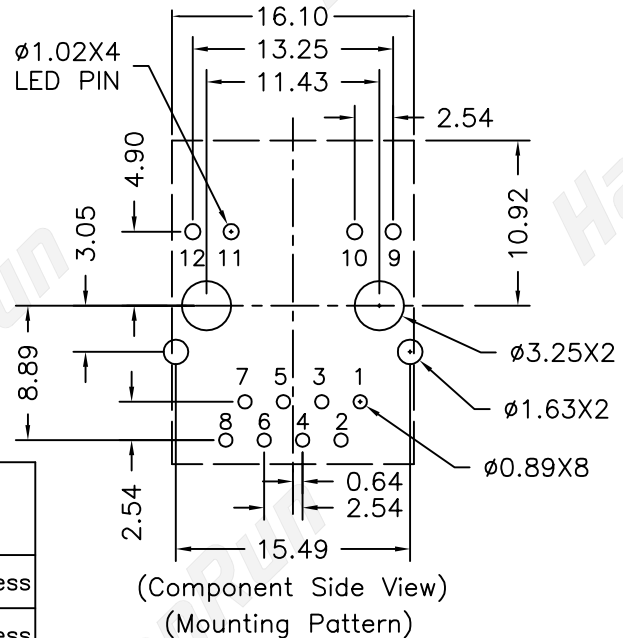
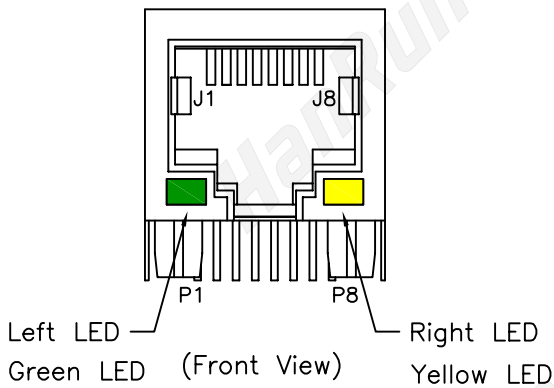
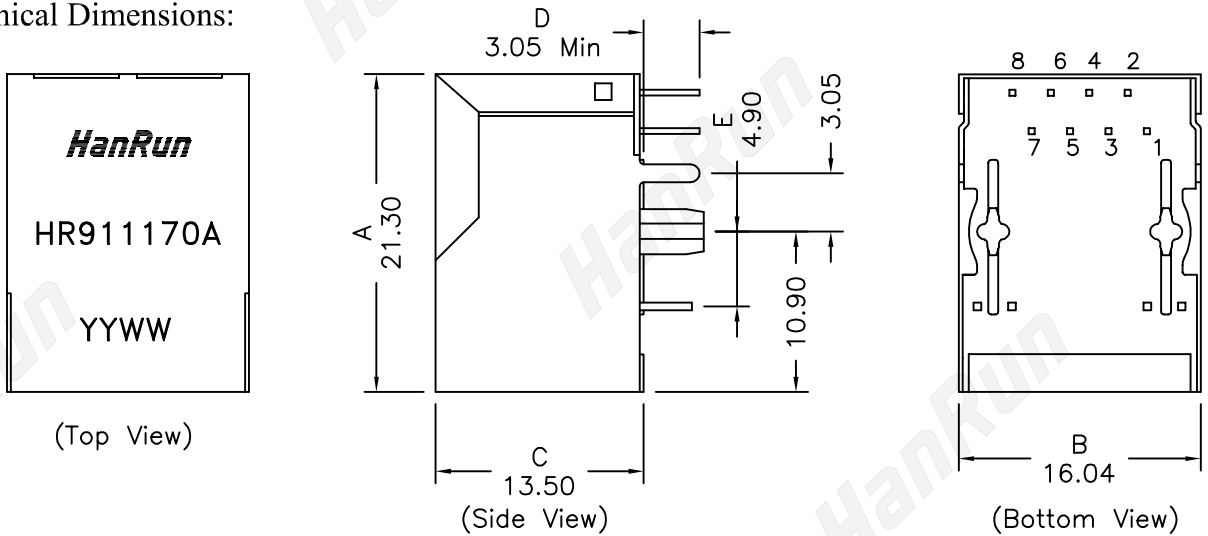
Schematics



HR911170A

- Designed for Network Interface Card Application
- Meets or Exceeds IEEE802.3 standards
- High performance for EMI suppression, Crosstalk, Return Loss and Consistent Electrical
- Minimum 1500Vrms isolation per IEEE802.3 requirement
- Minimize PCB space and Simplify PCB Layout
- Less magnetic components to place on PCB, Higher reliability and yields

Mechanical Dimensions:



Standard LED	Wavelength	Forward V (Min/Max)	Forward A	Type
Green	568nm	1.8v/2.8v	20mA	squareness
Yellow	585nm	1.8v/2.8v	20mA	squareness

Dimensions in mm

Unless otherwise specified, Tolerance: .xx ± 0.25

REV.A/1 (2008/10/31)