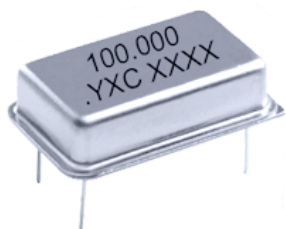


# YSO1512SR



## Features

- External dimensions: 20.4 x 12.8 x 5.3 mm.
- Frequency range: 1MHz ~ 100MHz.
- All metal welded package.
- Built-in CMOS IC with tristate function.

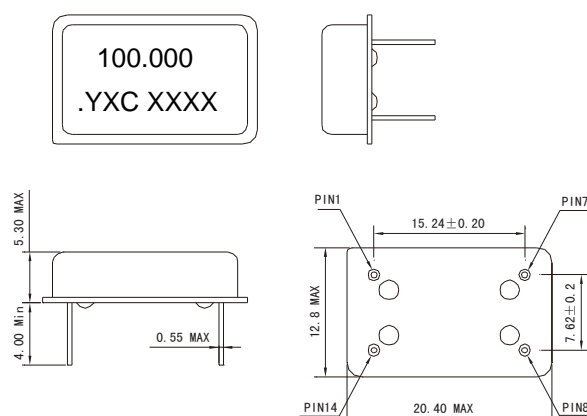
## Applications

- Monitor, computers, wireless lan card & wire, CDplayer, HDD, Work station.

## Electrical Specifications

Item / Type	YSO1512SR
Output Frequency Range	1 ~ 100 MHz
Output Type	CMOS
Supply Voltage	3.3V/5V, or specify
Oscillation Mode	Fundamental
Frequency Tolerance	± 20ppm, ± 25ppm, or specify
Output Load	15 pF, or specify
Operating Temperature Range	- 20 ~ + 70 °C , - 40 ~ + 85 °C , or specify
Storage Temperature Range	- 40 ~ + 85 °C , - 55 ~ + 125 °C
Voltage Vol ( Max. ) / Vol ( Min. )	90%Vdd min./10%Vdd max
Symmetry	40 ~ 60 % Standard
Rise ( Tr ) / Fall ( Tf ) Time	10 ns Max.
Start-up Time	10 ms Max.
Supply Current	30 mA Max. (<50MHz)
Frequency Aging ( at 25 °C )	± 3 ppm / year Max.

## Dimensions



引脚	功能	定义
1	E/D	三态 / 无三态
2	GND	接地
3	OUTPUT	输出
4	Vdd	电源电压

Units: mm

# YSO1512SR



★ **PART NUMBER GUIDE 部件号示例** e.g. O1512D100MEEA4SC YSO1512SR=20.4×12.8 SMD SEAM TYPE

Quartz Crystal Oscillator	Dimensions	Frequency (Hz)	Supply voltage (V)	Frequency Stability Overall (ppm)	output	Pin	Material	Operating Temp. Range
O	1512D	100M	E	E	A	4	S	C

## ★ INPUT CURRENT 工作电流

Vdc=5.0V		Vdc=1.8~3.3V	
15pF only		15pF only	
1.0 ~ 35.999 MHz	25 mA max	1.0 ~ 35.999 MHz	20mA max
36.0 ~ 69.999 MHz	60mA max	36.0 ~ 69.999 MHz	40mA max
70.0 ~ 100 MHz	80mA max	70.0 ~ 100 MHz	60mA max

## ★ Test Circuit 测试电路

