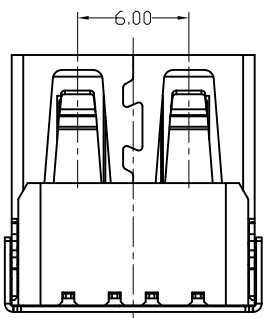
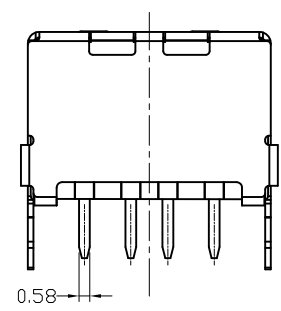
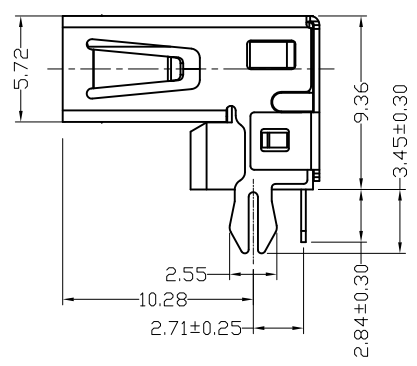
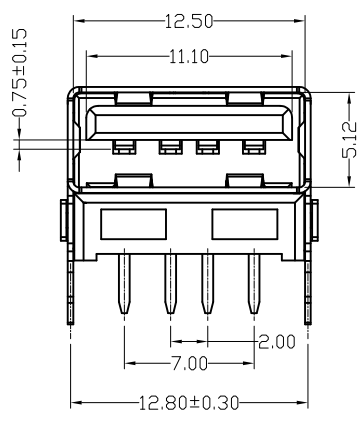
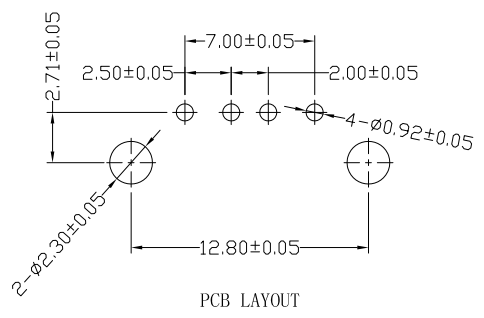
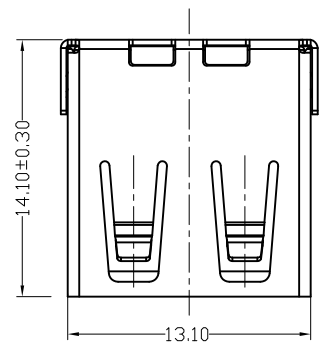


MAPX	MODIFICATION	DATE

- NOTES:
- MATERIAL SPECIFICATION:
 - HOUSING: THERMOPLASTIC (UL94V-0)
 - SHELL: COPPER ALLOY & SPCC
PLATING: NICKEL
 - TERMINAL: COPPER ALLOY
PLATING: GOLD/TIN PLATED;
 - ELECTRICAL CHARACTERISTIC:
 - VOLTAGE CURRENT RATING: 1AMP, 30V DC;
 - INSULATION RESISTANCE: 1000M Ω MIN;
 - CONTACT RESISTANCE: 30m Ω MAX;
 - WITHSTANDING VOLTAGE: 500V AC;
 - MECHANICAL:
 - MATING FORCE: 3.5 KG MAX
 - UNMATING FORCE: 1.02 KG MIN.



产品图 PRODUCT CHART DWG				深圳市精拓金电子有限公司						
公差一览表 TOLERANCE UNLESS OTHERWISE				单位 UNITS	MM	制图 DRAWING	Z-Y-B	制图料号 PRODUCT PART NO.		
X.	±0.15	X.	±5°	比例 SCALE	1:1	审核 CHKD		产品名称 PRODUCT NAME	USB A/F DIP 90° 加高型鱼叉脚插板加后塞 无卷边	
.X	±0.10	.X	±2°	日期 DATE	2014.05.06	核准 APPD		角法 VIEW	版本 VER	AD
.XX	±0.01	.XX	±1°							
.XXX	±0.002	.XXX	±0.5°							