

NEW



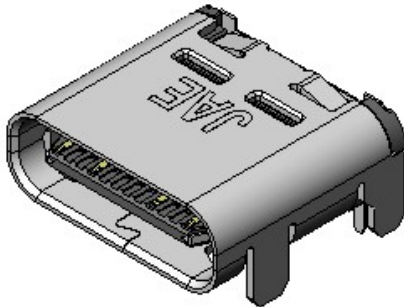
USB Type-C™ Connector DX07 Series Receptacle

CONNECTOR

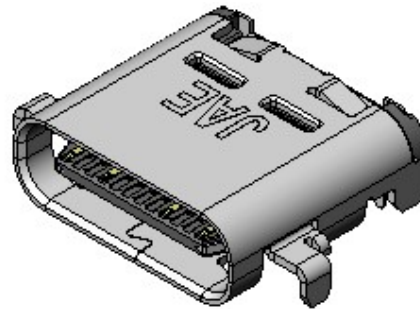
MB-0297-1

June 2015

RoHS Compliant



On-board Type



Mid-mount Type

<<Outline>>

The DX07 Series are connectors compatible with the next-generation USB specification “USB Type-C™” and they are expected to become popular as a standard interface for various devices.

Note) USB Type-C™ is a trademark of USB Implementers Forum, Inc.

Features

- Compatible with Universal Serial Bus Type-C Specification Release 1.1
- Compatible with 10Gbps SuperSpeed communication. (USB 3.1 Gen 2)
- Compatible with USB Power Delivery.
- Reversible plug makes it possible to insert both ways.
- Superior EMI / EMC characteristics.
- Design for high mechanical strength.
- Lock structure with high durability.
- 2 row STM type space-saving contact mounting area.
- Available in two types, on-board type, and mid-mount type.

Applicable Markets

Smartphones, tablets, PCs, high-definition camcorders, digital still cameras (single-lens reflex, compact), and others

General Specifications

- | | |
|---|---|
| <ul style="list-style-type: none"> ■No. of Contacts: 24 pos. ■Contact Resistance: 40mΩmax.(initial) ■Dielectric Withstanding Voltage:
100Vrms / 1 minute ■Insulation Resistance: 100M Ω (initial) | <ul style="list-style-type: none"> ■Rated Current:
Terminal No. A1, A4, A9, A12, B1, B4, B5, B9, B12 are DC 1.25A (maximum),
Others are DC 0.25A ■Rated Voltage: 20 Vrms ■Mating Cycles: 10,000 times ■Operating Temperature:
-30 Deg. C to 80 Deg. C |
|---|---|

Materials and Finishes

Components	Materials / Finishes
Insulator 1, 2	Synthetic resin
Contact A, B	Copper alloy / contact area: palladium over nickel plating – Au flash plating over nickel alloy Terminal area: Au flash plating over nickel
Shell	Stainless steel / nickel plating
Mid Plate	Stainless steel / nickel plating
Ground Plate	Stainless steel / nickel plating
Rear Shield	Stainless steel / nickel plating

Note) Please refer to the product drawings for more details.

Ordering Information

[Receptacle Side]

DX07 S 0 24 J J 2 R1300

Series

DX07: USB Type C

S: On-board, B: Mid-mount

Modification Code #1

No. of Contacts: 24 pos.

Reel 1300 pcs. / reel

Modification Code #2

Plating Specification

J: Contact area: palladium over nickel
- Au flash plating over nickel

Board Connection Type (Shell area)

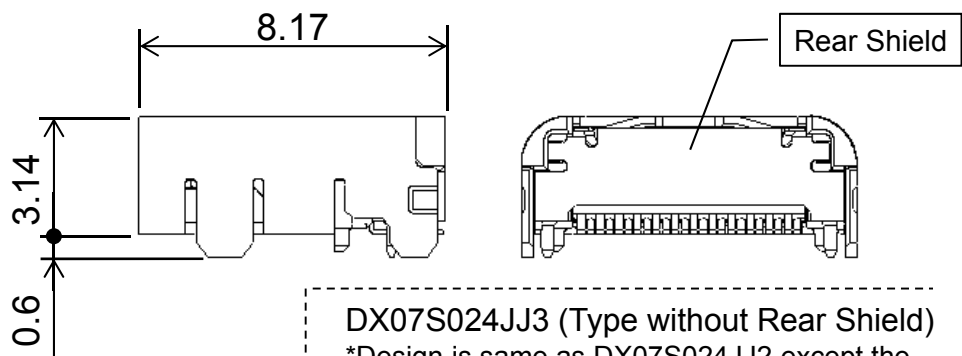
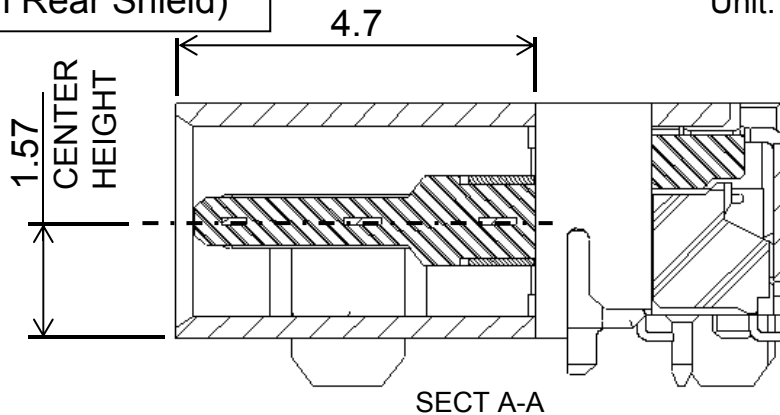
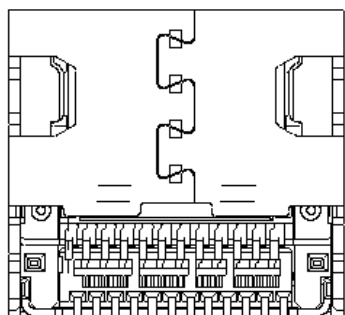
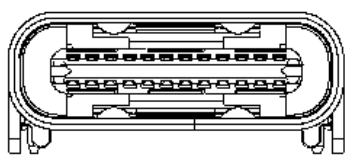
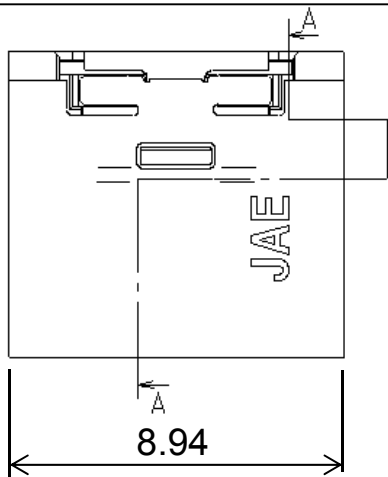
J: Through-hole type

Part Number	SJ Drawing	Specifications	Mounting Type	Rear Shield
DX07S024JJ2 (Individual Connector)	SJ115946	JACS-30353	On-board	Yes
DX07S024JJ2R1300 (Reeled Product)	SJ115947			
DX07S024JJ3 (Individual Connector)	SJ115994			No
DX07S024JJ3R1300 (Reeled Product)	SJ115995			
DX07B024JJ1 (Individual Connector)	SJ115850		Mid mount	Yes
DX07B024JJ1R1500 (Reeled Product)	SJ115851			
DX07B024JJ2 (Individual Connector)	SJ115996			No
DX07B024JJ2R1500 (Reeled Product)	SJ115997			

Note) Please order in reel units.

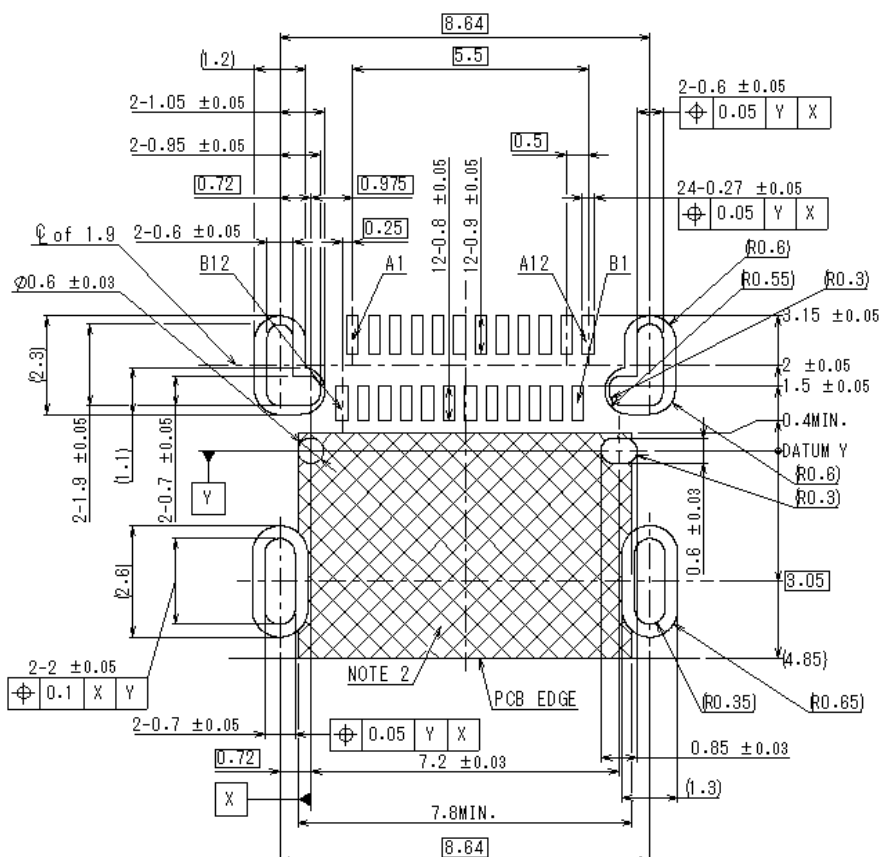
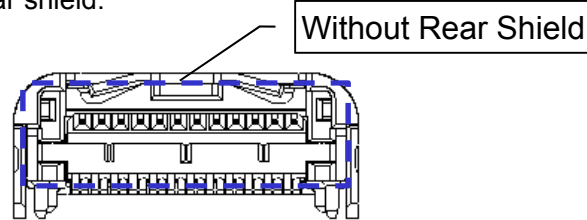
DX07S024JJ2 (Type with Rear Shield)

Unit: mm



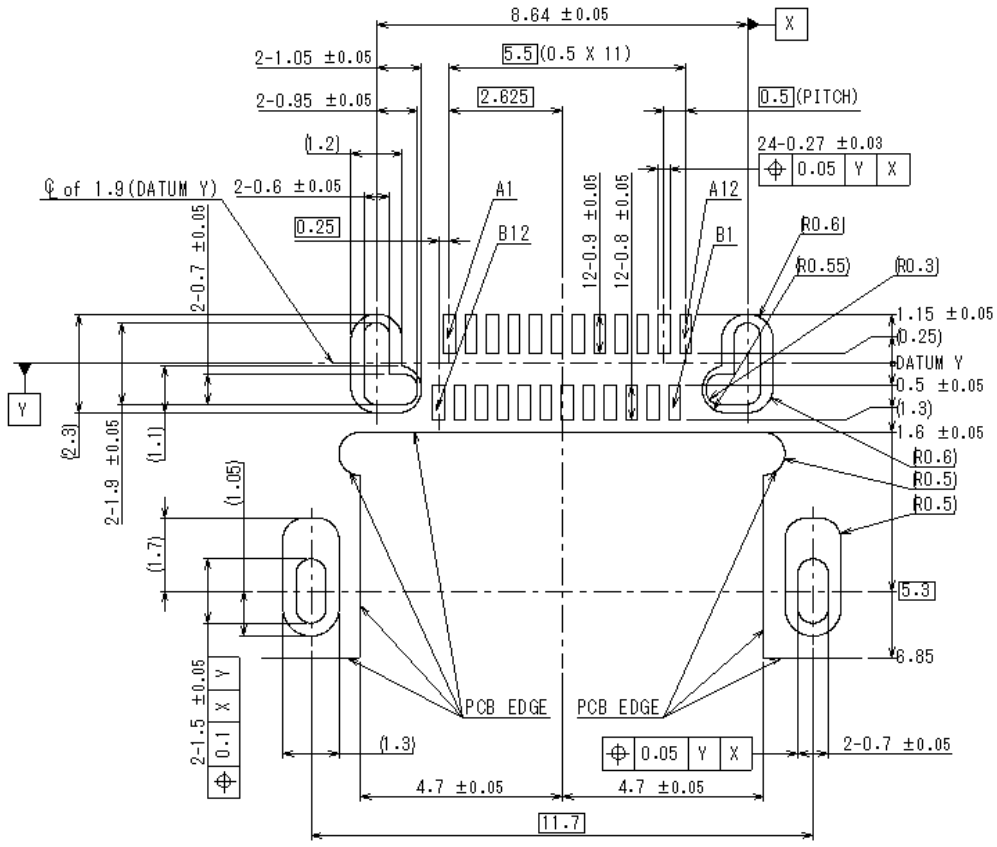
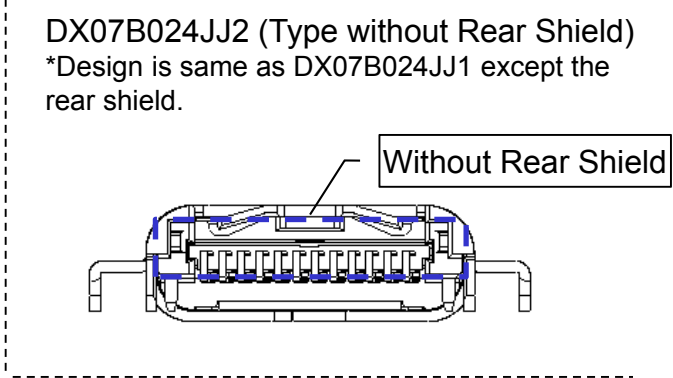
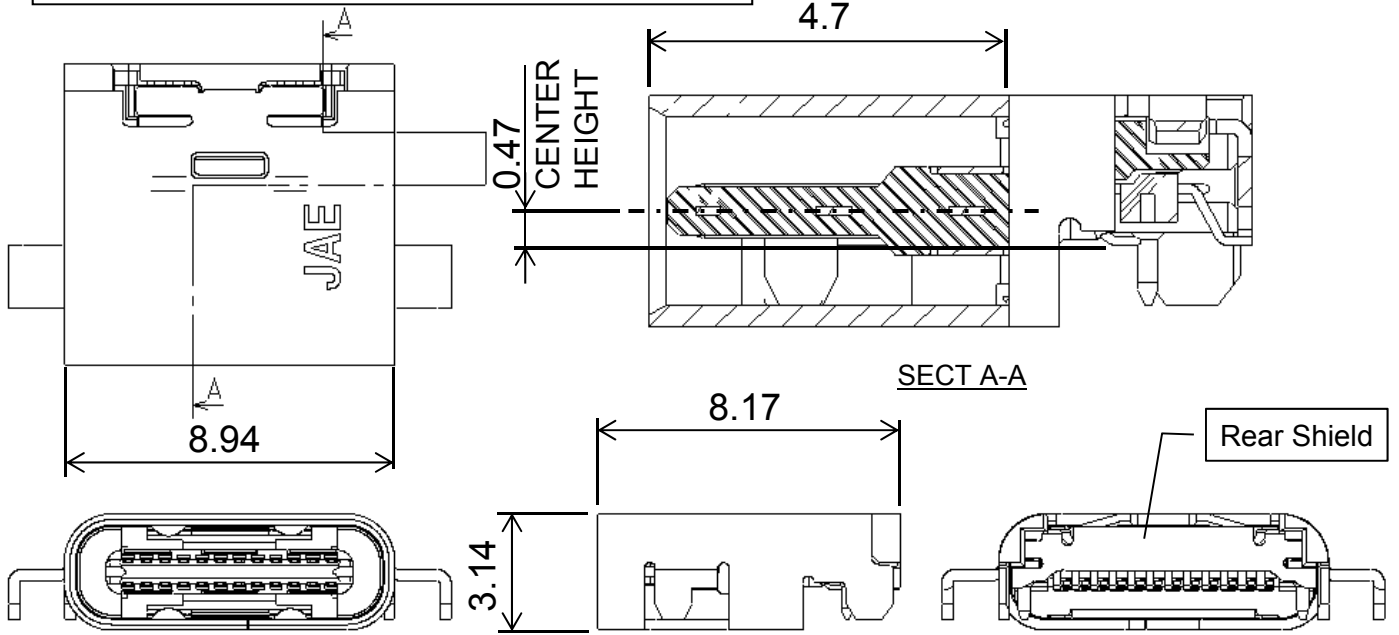
DX07S024JJ3 (Type without Rear Shield)

*Design is same as DX07S024JJ2 except the rear shield.



DX07B024JJ1 (Type with Rear Shield)

Unit: mm



Notice:

1. The values specified in this brochure are only for reference. The products and their specifications are subject to change without notice. Contact our sales staff for further information before considering or ordering any of our products. For purchase, a product specification must be agreed upon.
2. Users are requested to provide protection circuits and redundancy circuits to ensure safety of the equipment, and sufficiently review the suitability of JAE's products to the equipment.
3. The products presented in this brochure are designed for the uses recommended below. We strongly suggest you contact our sales staff when considering use of any of the products in any other way than the recommended applications or for a specific use that requires an extremely high reliability.
 - (1) Applications that require consultation:
 - (i) Please contact us if you are considering use involving a quality assurance program that you specify or that is peculiar to the industry, such as:
Automotive electrical components, train control, telecommunications devices (mainline), traffic light control, electric power, combustion control, fire prevention or security systems, disaster prevention equipment, etc.
 - (ii) We may separately give you our support with a quality assurance program that you specify, when you think of a use such as :
Aviation or space equipment, submarine repeaters, nuclear power control systems, medical equipment for life support, etc.
 - (2) Recommended applications include:
Computers, office appliances, telecommunications devices (terminals, mobile units), measuring equipment, audiovisual equipment, home electric appliances, factory automation equipment, etc

Japan Aviation Electronics Industry, Limited

Product Marketing Division

Aobadai Building, 3-1-19, Aobadai, Meguro-ku, Tokyo 153-8539

Phone: +81-3-3780-2882 FAX: +81-3-3780-2946

* The specifications in this brochure are subject to change without notice. Please contact JAE for information.