

## Operation: DIP+SMT & 2.0Type-C 连接器



LTEM NO.:MC-310D+S (Consumer Electronics)

(9.90L×9.75W×3.2H & PCB TYPE)

### Type-C Universal Serial Bus Connectors



#### Technical parameter

外焊式 DIP+SMT

PROJECT	LEVEL	A[better product]		B[average product]	
		A[better product]		B[average product]	
<b>Electrical Properties</b>	Contact Rating	3A, 24V DC			
	Initial Contact Resistance	30mΩ max.		50mΩ max.	
	Insulation Resistance	100MΩ min.500V DC		Skey/PD: 100MΩ min.300V DC	
	Withstand Voltage	500V AC for 1 minute		350 V AC for 1 minut	
<b>Durable Performance</b>	There No Load	6,500 Cycles		5,500 Cycles	
	Rated Load	5,500 Cycles		4,500 Cycles	
	Storage temp.	-25℃~+75℃(Operating Temp: )			

側向導入 LATERAL

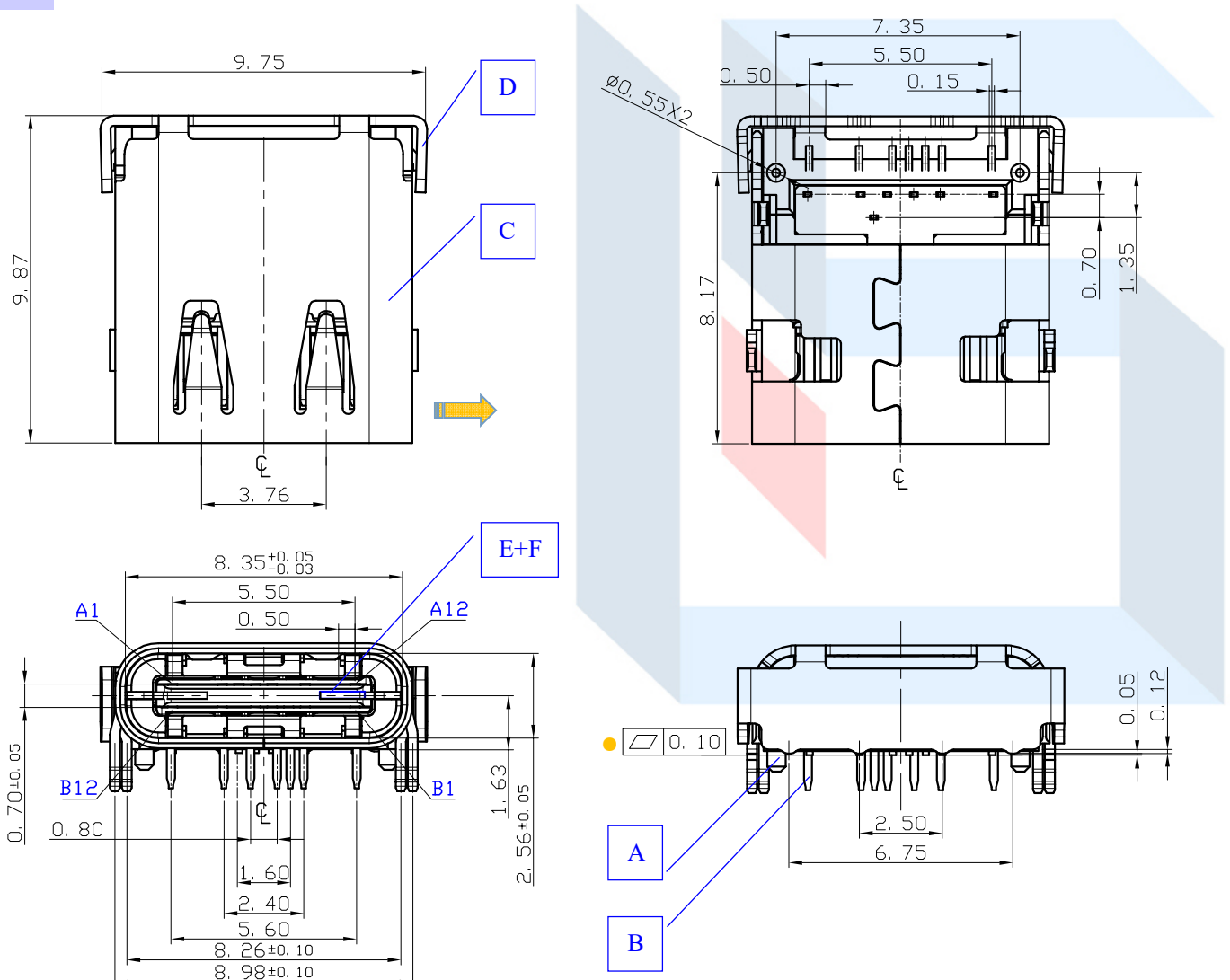
精密部品 NICETY

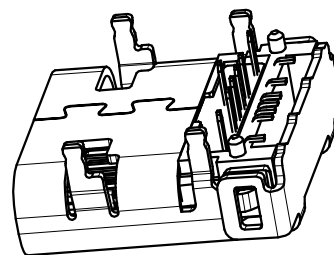
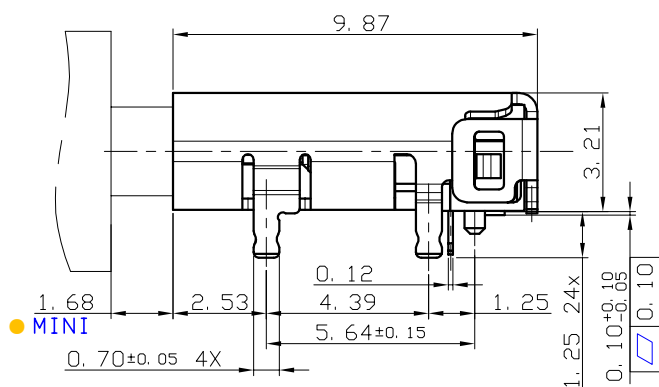
可靠 STABILIZE

環保材質 RoHS

Page1

Unit:mm





# SPECIFIED TOLERANCES

UNLESS OTHERWISE



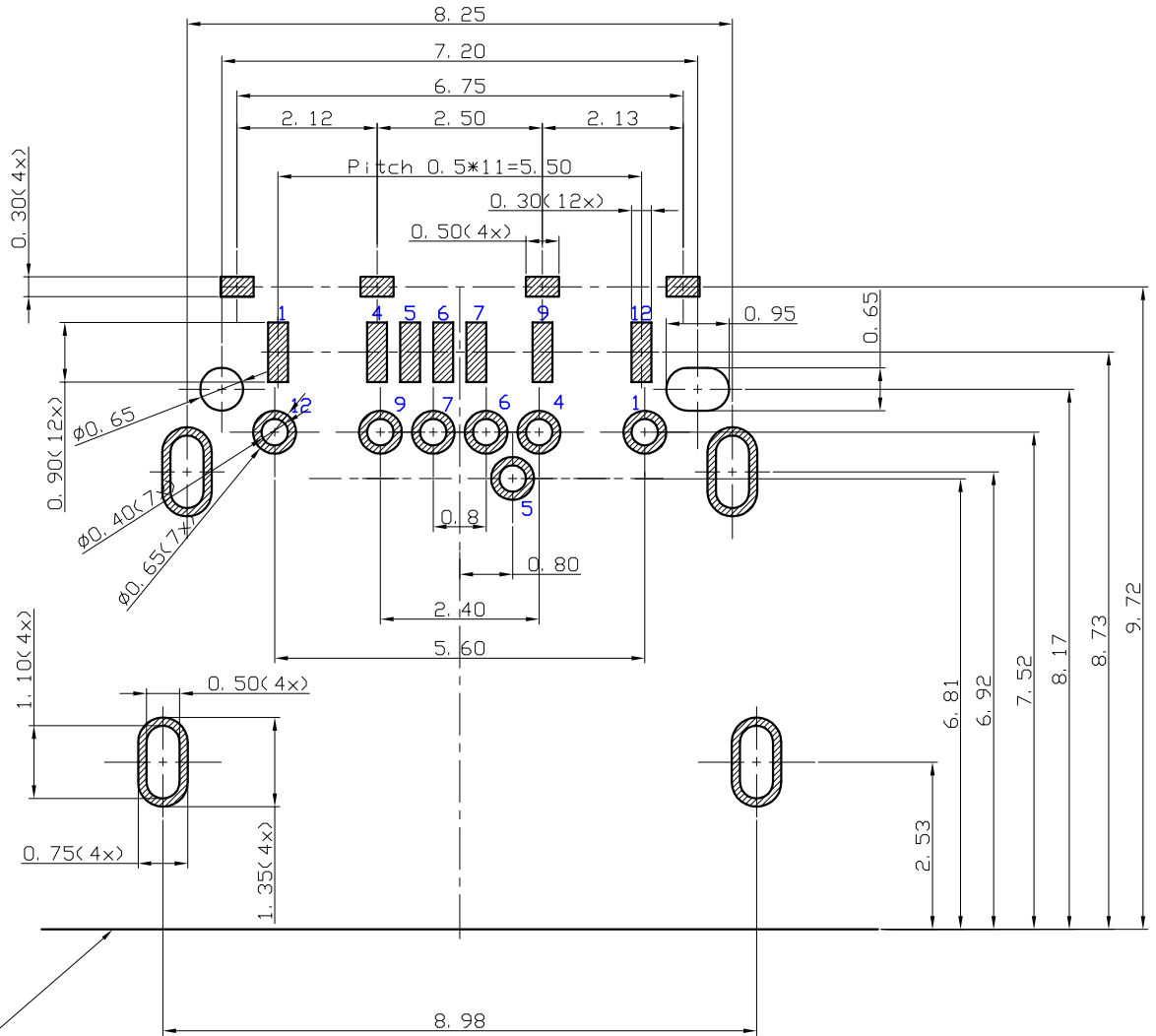
DECIMALS	ANGLES
X.X :±0.25	X.X :±3°
X.XX :±0.15	X.XX :±2°
X.XXX :±0.10	

Material declaration			
No.	NAME	MATERIAL	DESCRIPTION
① A	HOUSING 基座	THERMOPLASTIC	LCP UL 94V-0,COLOR:BLACK;
② B	CONTACT 接触端子	COPPER ALLOY 【G/F】	2.0 μ m Ni PLATED OVERALL; 0.25 μ m Au PLATED CONTACT AREA; GOLD FLASH ON SOLDER AREA.
③ C	SHELL 外壳	STAINLESS 【G/F】	0.25 μ m Ni PLATED OVERALL;
④ D	COVER 后盖板	STAINLESS 【G/F】	0.25 μ m Ni PLATED OVERALL;
⑤ E	PLATE 内嵌片	STAINLESS 【G/F】	0.25 μ m Ni PLATED OVERALL;
⑥ F	GND RING 接地片	STAINLESS 【G/F】	0.25 μ m Ni PLATED OVERALL;



# MATERIAL

**Operating Force**  
 Inward 8.0~20.0N. (1N.=100gram-force)  
 Exiting 6.0~20.0N. (1N.=100gram-force)MIN



● CONNECTOR FRONT EDGE

**PIN ASSIGNMENTS**

PIN	Signal NAME	Description	PIN	Signal NAME	Description
A 1	GND	Ground return	B12	GND	Ground return
A 4	V BUS	Bus Power	B 9	V BUS	Bus Power
A 5	CC1	Configuration Channel	B 7	Dn2	Negative half of the USB 2.0 differential pair-Position 2
A 6	Dp1	Positive half of the USB 2.0 differential pair-Position 1	B 6	Dp2	Positive half of the USB 2.0 differential pair-Position 2
A 7	Dn1	Negative half of the USB 2.0 differential pair-Position 1	B 5	CC2	Configuration Channel
A 9	V BUS	Bus Power	B 4	V BUS	Bus Power
A12	GND	Ground return	B 1	GND	Ground return

**注記 NOTICE**

1. 碩方公司擁有最終解釋權；The SOFNG company reserves the right of final interpretation;
2. 文件禁止外洩、轉載；Leaked and reproduced prohibited;
3. 未經授權修改無效。Modify is invalid.