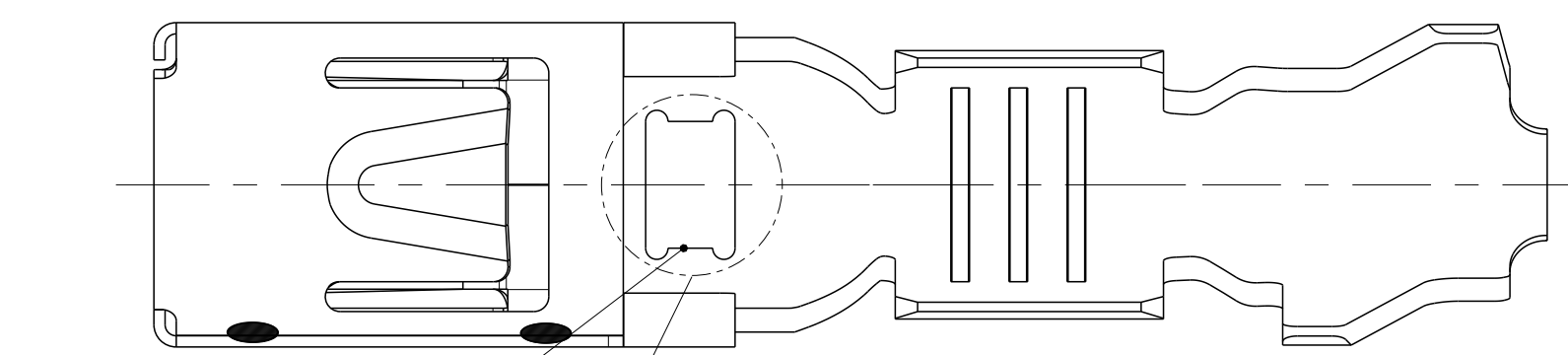
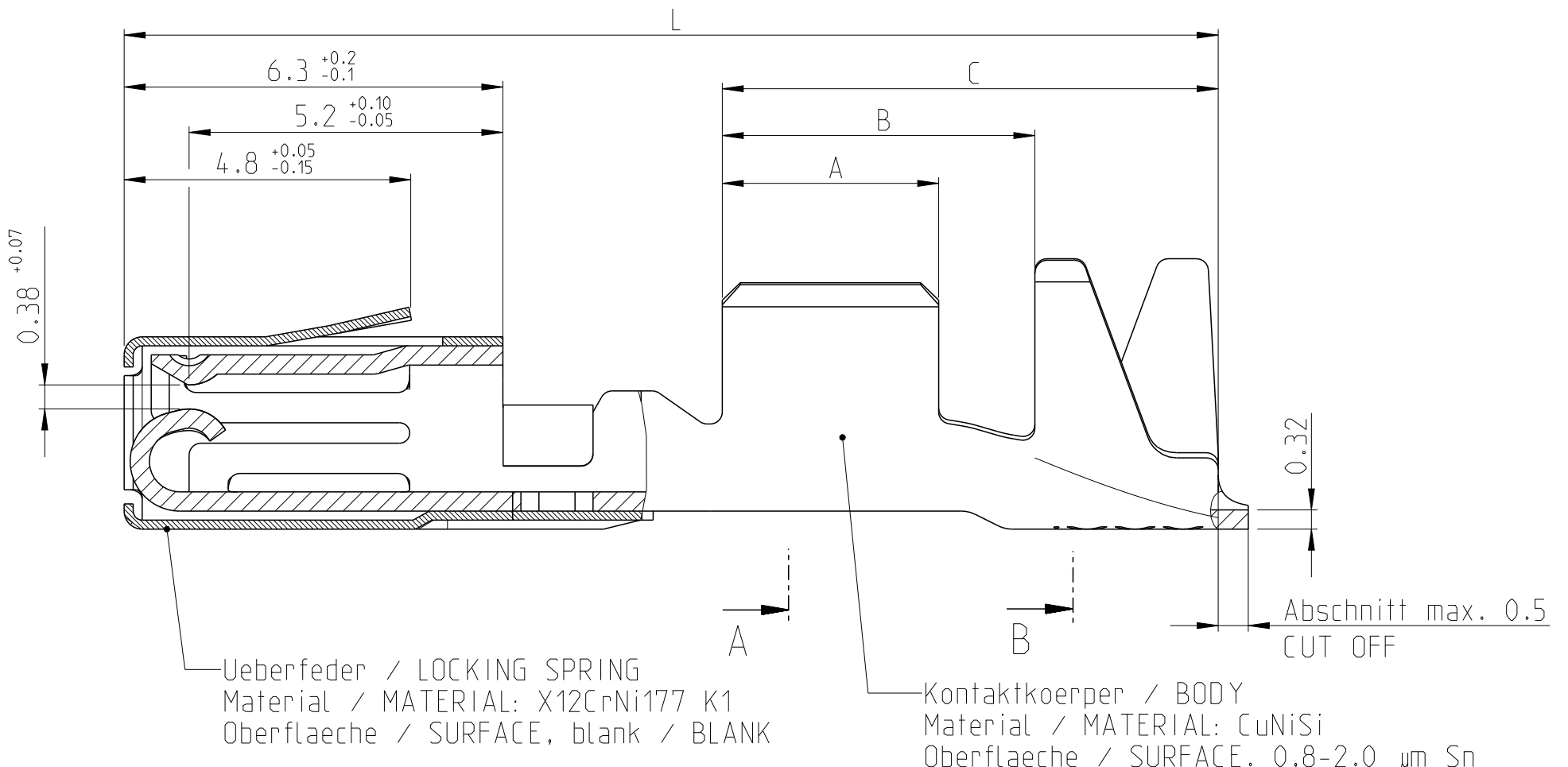


REVISIONS				
P.	LTN	DESCRIPTION	DATE	APVD
B6		ECR-14-015440	160C12014	MN SCHE
B7		NEW VARIANTS ADDED. NEW 3D DRW CREATED	09JUN2015	Mah SCHI
B8		DEACTIVATED PNs 1355950-4 AND 968075-4	17MAY2016	SCK SCHI
B9		CRIMP DESIGN TYPE column in table added	08NOV2017	MAH SCHI

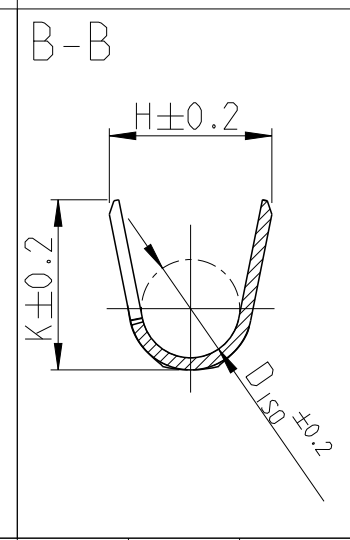
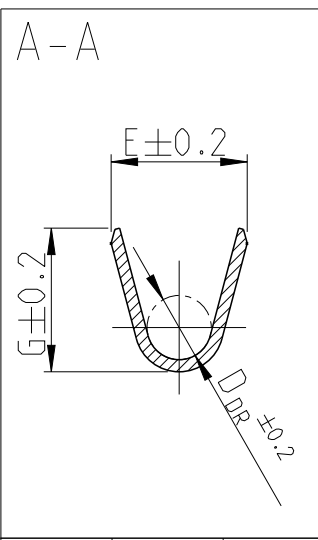
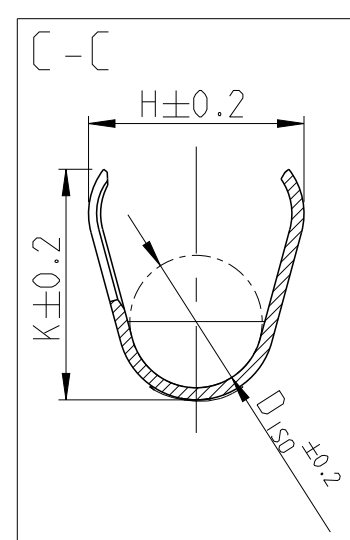
Normale Anwendung  
STANDARD APPLICATION



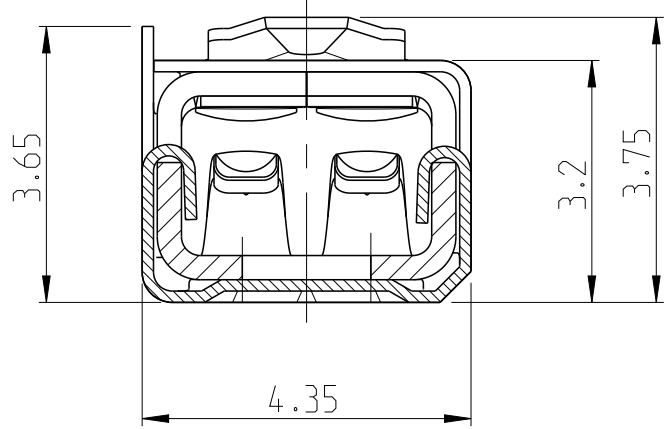
Fenster nicht fuer  
DGB 2.5-4.0 mm<sup>2</sup>  
NO WINDOW FOR  
WIRE SIZE RANGE  
2.5-4.0 mm<sup>2</sup>

optional  
OPTIONAL

Crimpausfuehrung B  
CRIMP DESIGN B

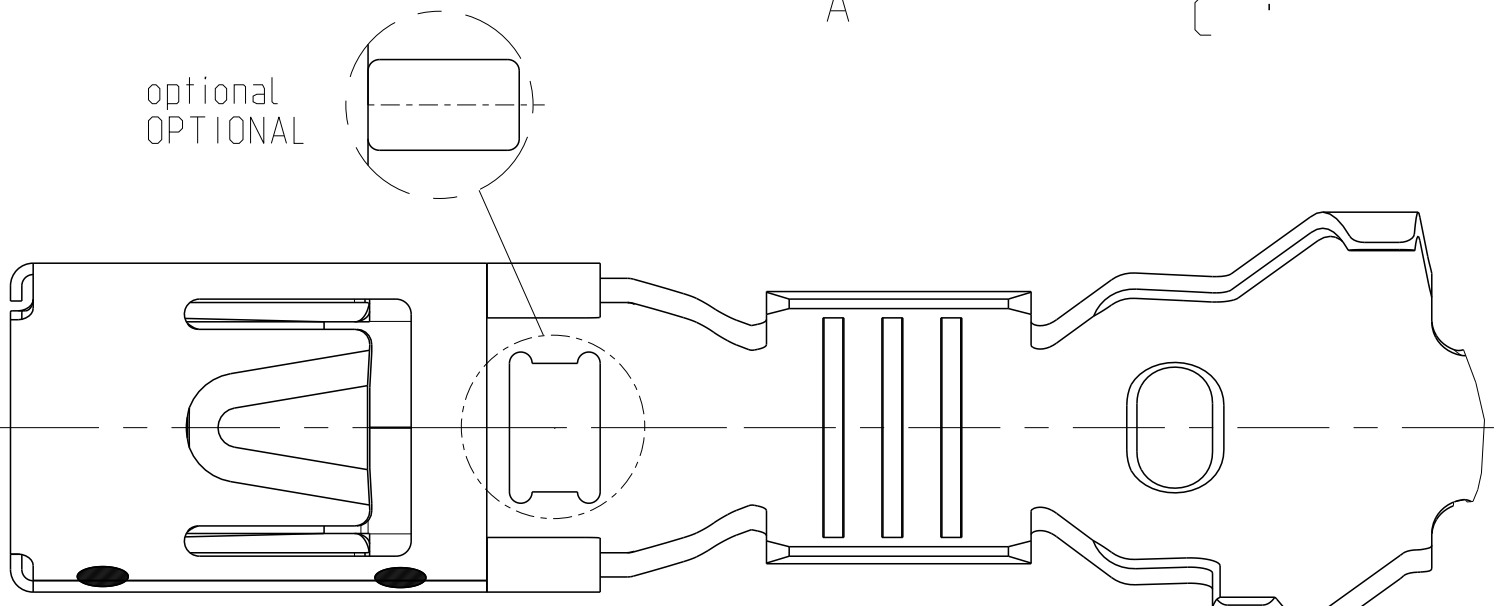
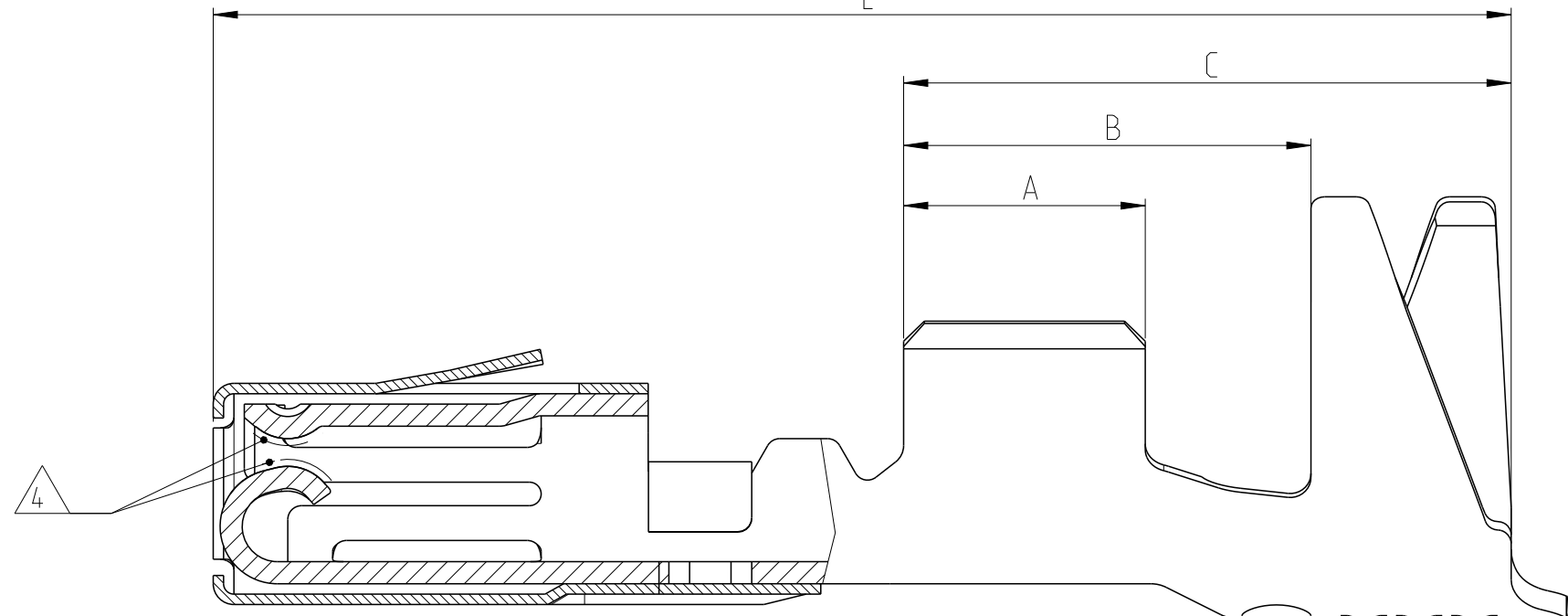


Ansicht ohne Crimp  
VIEW WITHOUT CRIMP

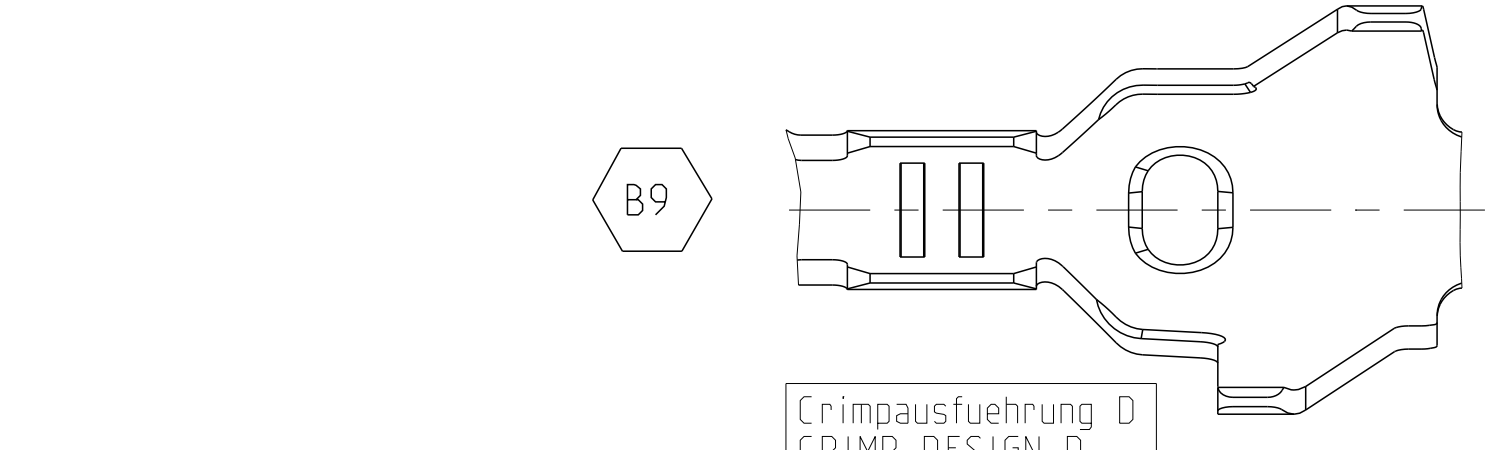


Einzeldichtungssystem  
SINGLE WIRE SEAL SYSTEM

(MISSING DIMENSIONS SEE STANDARD APPLICATION)  
(Fehlende Masse siehe normale Anwendung)



Crimpausfuehrung C  
CRIMP DESIGN C



Crimpausfuehrung D  
CRIMP DESIGN D

SUPERSEDED BY					VERSION	Drahtgroessenbereich WIRE SIZE RANGE [mm <sup>2</sup> ]	Crimplaelngen CRIMP LENGTHS [mm]	Drahtcrimp WIRE CRIMP [mm]	Isolationscrimp INSULATION CRIMP [mm]	Kontaktlaenge CONTACT LENGTH [mm]	Gramm GRAM	Gewicht WEIGHT	Verarbeitung APPLICATION	Crimpausfuehrung CRIMP DESIGN	Bestell-Nr. ORDER NO. TAB NR: 116-18005-600	Farbe COLOUR	zugehoerige Einzeldichtung SUITABLE SINGLE WIRE SEAL	
968075-5	968120-5	D	4	-													A	B
	968120-2	D	-	X	> 1.0-2.5	3.5	5.9	8.8	3.6	3.8	1.7	5.7	6.1	3.5			967609-1	gelb/YELLOW
	968119-4	D	6	-	> 0.5-1.0	3.0	5.4	8.3	2.5	2.7	1.2	5.5	5.9	3.3	18.8		967610-1	grau/GREY
	968119-5	D	4	-														
	968119-4	D	5	-														
	968119-2	D	-	X	0.35-0.5	2.5	4.9	7.8	2.1	2.1	0.8	5.4	5.7	3.2				
	968680-5	B	4	-														
	968680-2	B	-	X														
	1355950-5	-	4	-	> 2.5-4.0	4.0	5.9	9.3	4.5	4.7	2.3	5.4	5.6	3.2	19.6			
	1355950-4	A	6	-														
	1355950-3	B	8	-														
	1355950-2	B	-	X														
	968075-5	D	4	-	> 1.0-2.5	3.5	5.2	8.25	3.6	3.8	1.7	4.3	4.5	2.6	18.2			
	968075-4	A	6	-														
	968075-3	B	8	-														
	968075-2	D	-	X														
	968074-5	D	4	-	> 0.5-1.0	3.0	4.6	7.0	2.5	2.7	1.2	3.2	3.4	1.8				
	968074-2	D	-	X														
	968678-5	B	4	-	0.35-0.5	2.5	3.7	5.8	2.1	2.1	0.8	2.9	2.9	1.4				
	968678-2	B	-	X														

NOTES

Bemerkungen

- SUITABLE FOR PIN CONTACT SEE DRAWING:  
Passend zu Stiftkontakt:  
TE: 1355933
  - FOR FLR-CONDUCTOR ACCORDING TO DIN 72551, PART 6 ONLY  
Nur fuer FLR-Leitungen nach DIN 72551, Teil 6
  - DETAILS OF DESIGN ARE LEFT TO MANUFACTURER  
Einzelheiten der Ausfuehrung bleiben dem Hersteller ueberlassen
- 4 MIN. 0.8 μm Au OVER MIN. 1.2 μm Ni  
 Min. 0.8 μm Au ueber min. 1.2 μm Ni  
 5 2-4 μm ELECTROPLATED SILVER  
 2-4 μm galvanisch Silber  
 6 MIN. 0.8 μm PdNi OVER MIN. 1.2 μm Ni  
 Min. 0.8 μm PdNi ueber min. 1.2 μm Ni  
 7 FOR INSPECTION PURPOSES ONLY  
 Nur fuer Pruefzwecke  
 8 MIN. 2.8-5.0 μm Ag OVER MIN. 0.2-1.0 μm Ni  
 Min. 2.8-5.0 μm Ag ueber min. 0.2-1.0 μm Ni

1:1

1:1

THIS DRAWING IS A CONTROLLED DOCUMENT.		OWN S.Garcia 22MAY2000	TE Connectivity	
DIMENSIONS: mm		CHK R.Jetter 22MAY2000	NAME MICRO POWER QUADLOK BUCHSENKONTAKT	
TOLERANCES UNLESS OTHERWISE SPECIFIED:		APVD	TABLETZEICHNUNG BUCHSENKONTAKT	
1 PLC ± n. ISO 8015	2 PLC ± n. ISO 2768	PRODUCT SPEC	108-18476-1	
3 PLC ± mH ±E	4 PLC ± n. DIN 16901	APPLICATION SPEC	116-18141-1	
MATERIAL		WEIGHT	RESTRICTED TO	
-		-	A1 00779 ©=1355934	
-		CUSTOMER DRAWING	SCALE 5:1 SHEET 1 OF 1 REV B9	