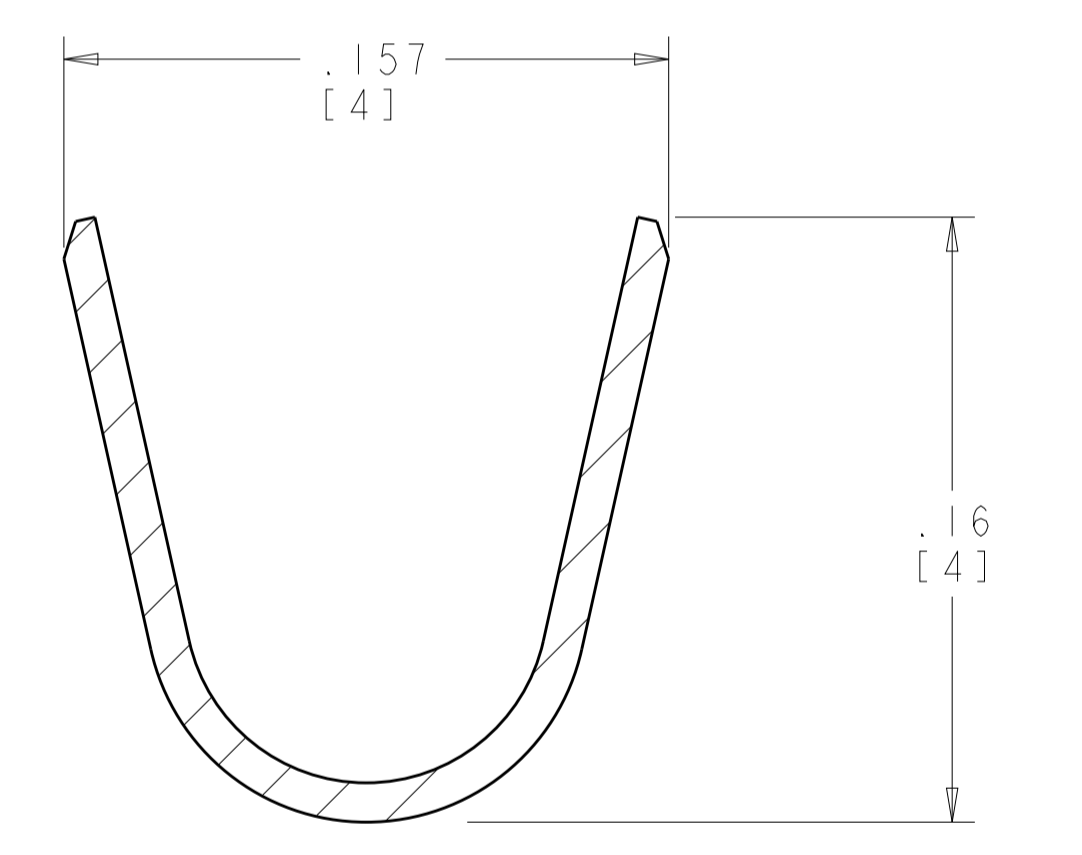
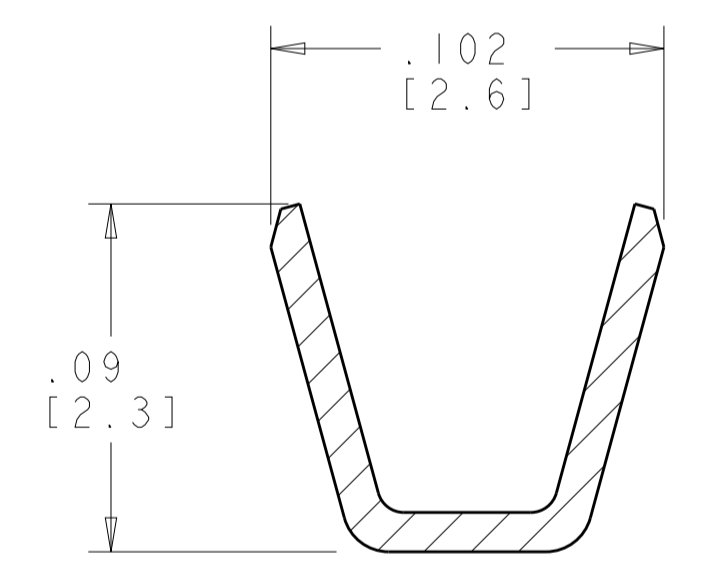
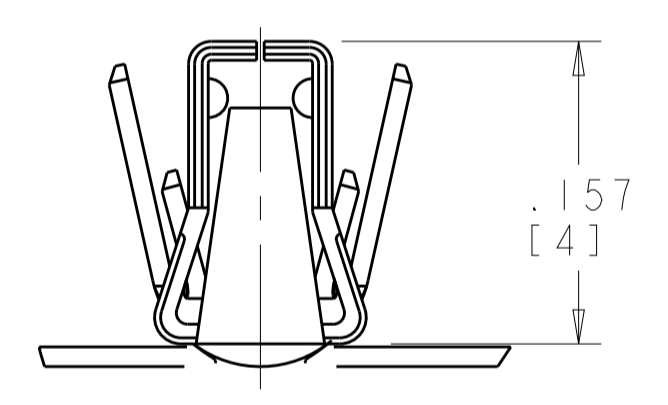
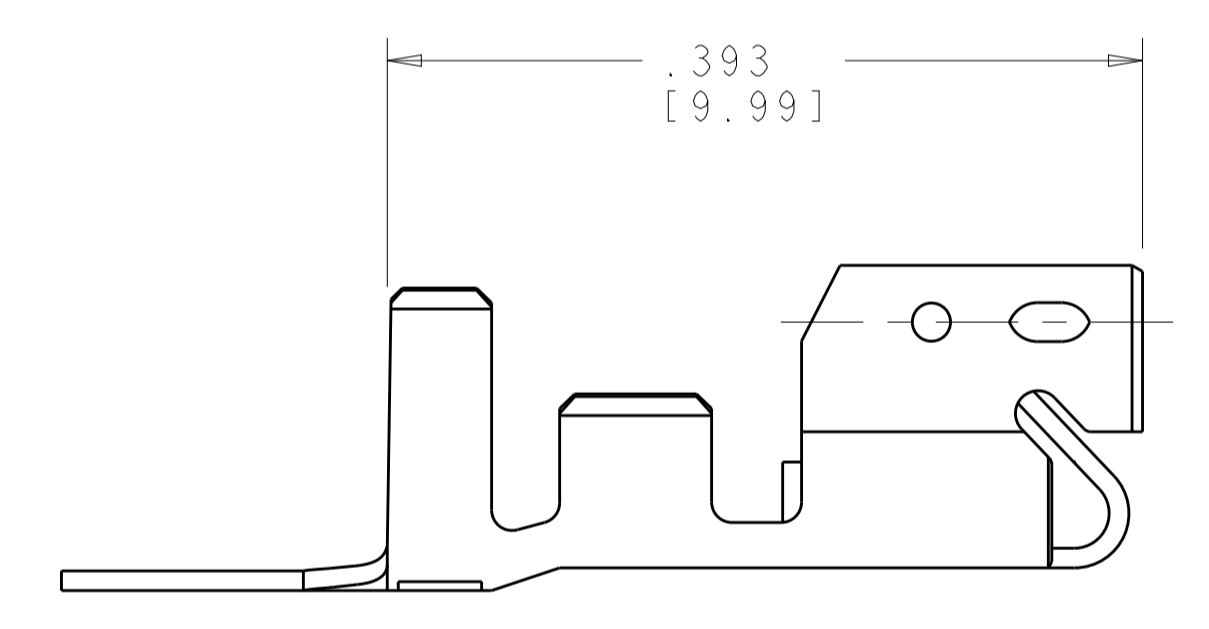
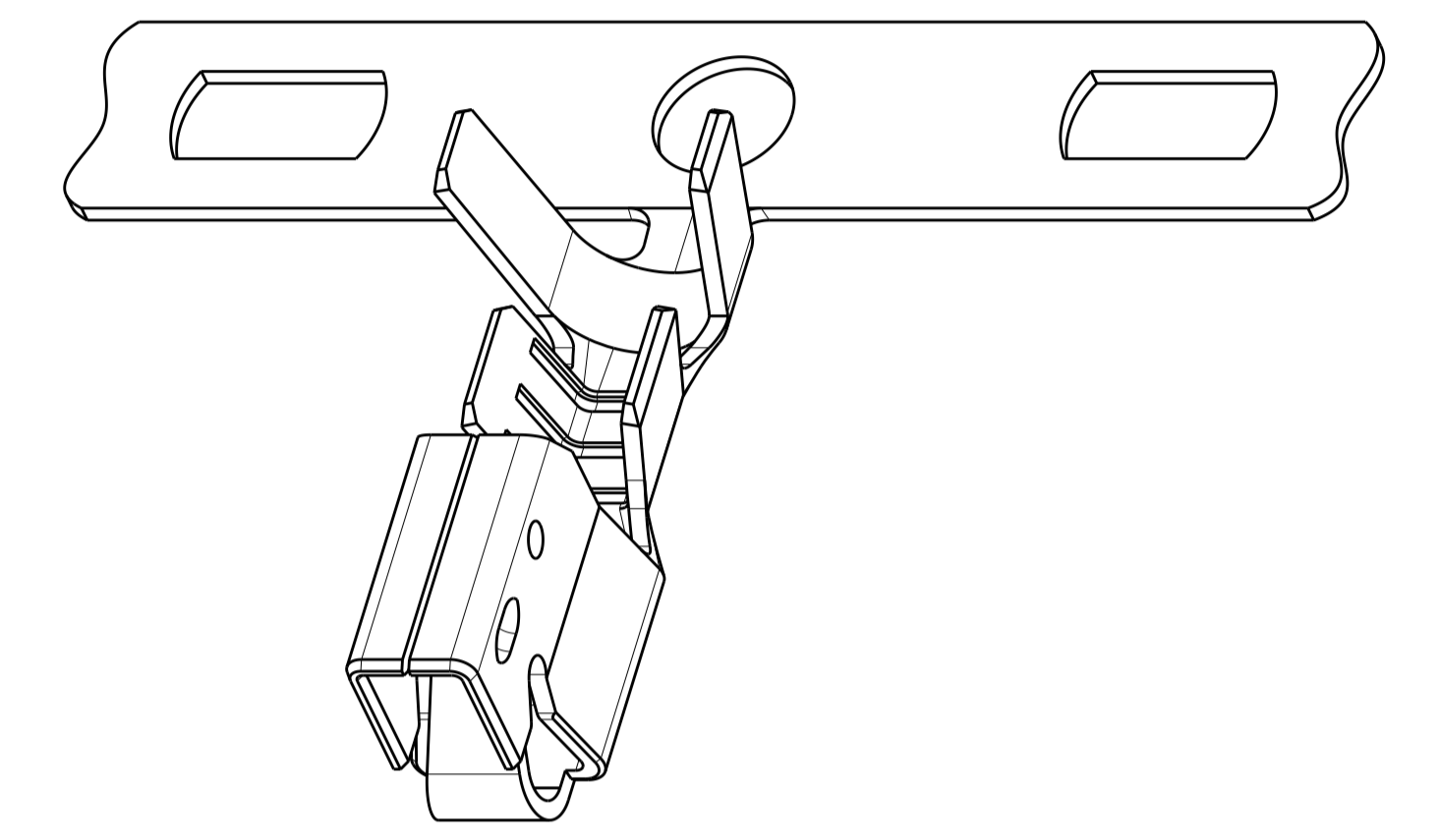
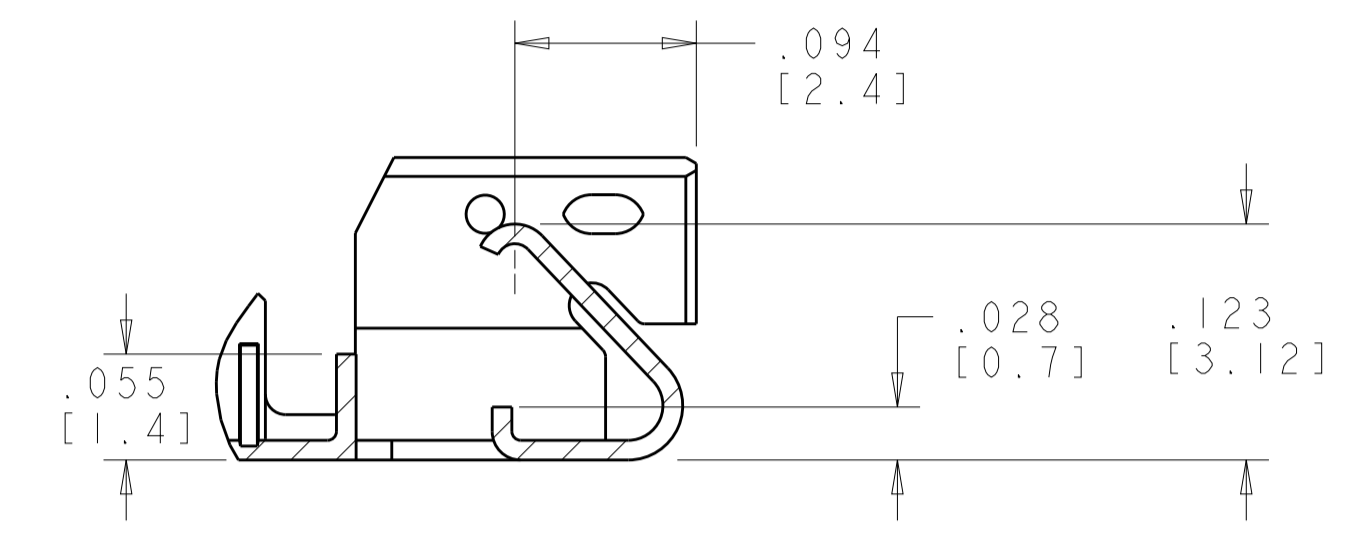
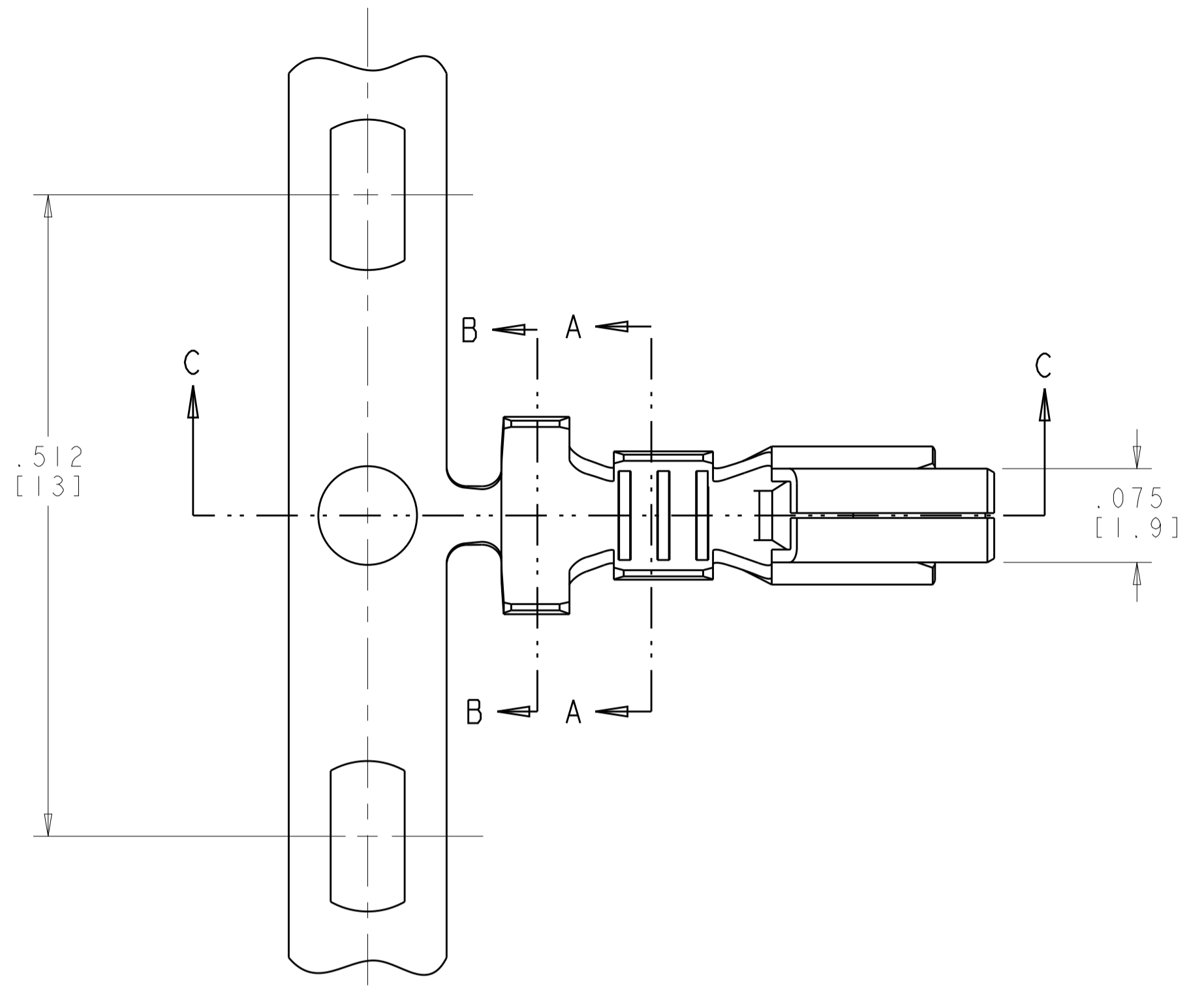


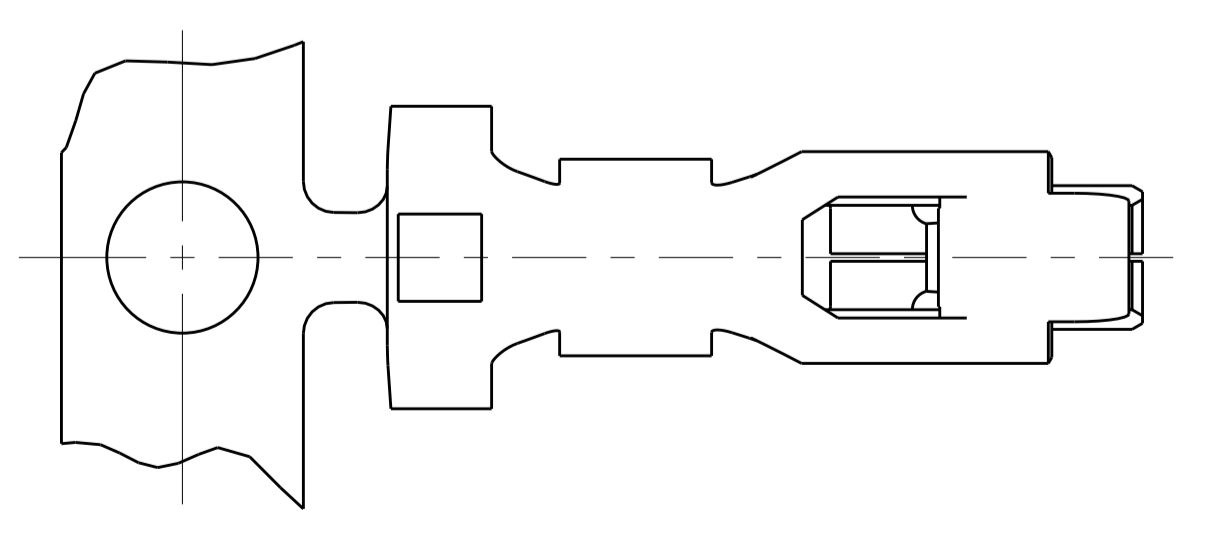
LOC		DIST		REVISIONS			
CM	00	P	LTN	DESCRIPTION	DATE	DWN	APVD
		D2		REVISED PER ECR-15-004485	25MAR15	O.C	D.2

1. FINISH: 0.8μM PRE-TIN OVER 0.5μM MIN COPPER.
2. WIRE RANGE: 22-18 AWG [0.26-1.04mm²].
3. CONTACTS COATED WITH TE ANTI-FRETTING LUBRICANT.
4. WIRE INSULATION RANGE: .067-.114 [1.7-2.9] DIA.



SECTION A-A
SCALE 20:1

SECTION B-B
SCALE 20:1



3	PHOS BRONZE	1744144-1
LUBRICANT	MATERIAL	PART NO

THIS DRAWING IS A CONTROLLED DOCUMENT.		DWN K. WHITAKER 05APR2005	TE Connectivity
DIMENSIONS: INCHES [MM]		CHK J. ELLIS 05APR2005	
TOLERANCES UNLESS OTHERWISE SPECIFIED:		APVD J. ELLIS 05APR2005	NAME CONTACT, LANCELESS, STD, ECONOMY POWER II
0 PLC ±. 1 PLC ±. 2 PLC ±. 3 PLC ±.15 4 PLC ±. ANGLES ±°		PRODUCT SPEC	SIZE A100779
MATERIAL SEE TABLE		FINISH SEE TABLE	RESTRICTED TO
CUSTOMER DRAWING		SCALE 10:1	SHEET 1 OF 1 REV D2