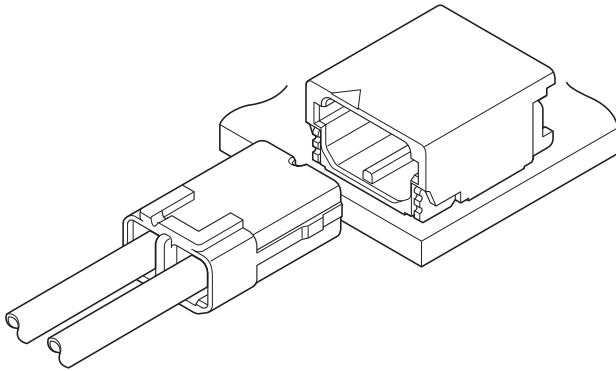




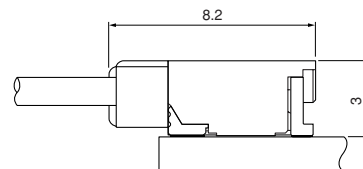
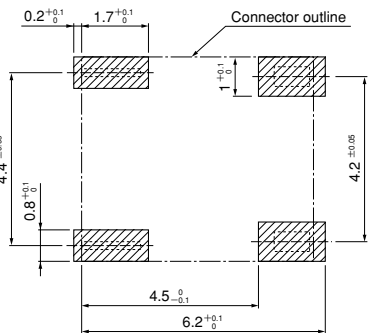
SFH CONNECTOR

1.8mm pitch/Disconnectable Crimp style connectors



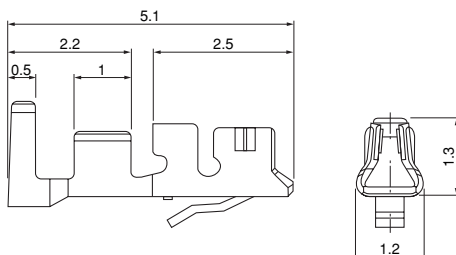
This low profile type connector with height of 3.0mm is designed for connection to stroboscope flash and realized space saving.

- Contact lance
- Countermeasure for inverse insertion and locking feature



Note: 1. The above figure is the figure viewed from the connector mounting side.
 2. Tolerances are non-cumulative: $\pm 0.05\text{mm}$ for all centers.
 3. The dimensions above should serve as a guideline. Contact JST for details.

Contact



Specifications

- Current rating: 4A AC, DC (AWG #22)
- Voltage rating: 350V AC, DC
- Temperature range: -25°C to $+85^{\circ}\text{C}$
(including temperature rise in applying electrical current)
- Contact resistance: Initial value/ 10m Ω max.
After environmental testing/ 20m Ω max.
- Insulation resistance: 1,000M Ω min.
- Withstanding voltage: 1,700V AC/minute
- Applicable wire: Conductor size/ AWG #30 to #22
Insulation O.D./ 0.7 to 1.3mm

- * Compliant with RoHS.
- * Refer to "General Instruction and Notice when using Terminals and Connectors" at the end of this catalog.
- * Contact JST for details.

Standards

Recognized E60389

Certified LR20812

| Model No. | Applicable wire | | | Q'ty / reel |
|----------------|-----------------|-------|----------------------|-------------|
| | mm ² | AWG# | Insulation O.D. (mm) | |
| SSFH-001T-P0.5 | 0.13~0.33 | 26~22 | 0.95~1.3 | 15,000 |
| SSFH-002T-P0.5 | 0.05~0.13 | 30~26 | 0.7 ~1.25 | 15,000 |

Material and Finish

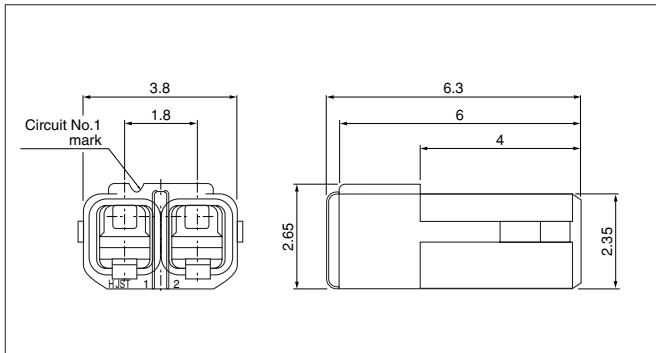
Copper alloy, tin-plated (reflow treatment)

RoHS compliance

| Contact | Crimping machine | Applicator | | |
|----------------|------------------|------------------|----------------|----------------------------|
| | | Crimp applicator | Dies | Crimp applicator with dies |
| SSFH-001T-P0.5 | AP-K2N | MKS-L | MK/SSFH-001-05 | APLMK SSFH001-05 |
| | | — | — | — |
| SSFH-002T-P0.5 | AP-K2N | MKS-L | MK/SSFH-002-05 | APLMK SSFH002-05 |
| | | — | — | — |

SFH CONNECTOR

Housing



| Circuits | Model No. | Q'ty / bag |
|----------|-------------------|------------|
| 2 | SFHR-02V-R | 1,000 |

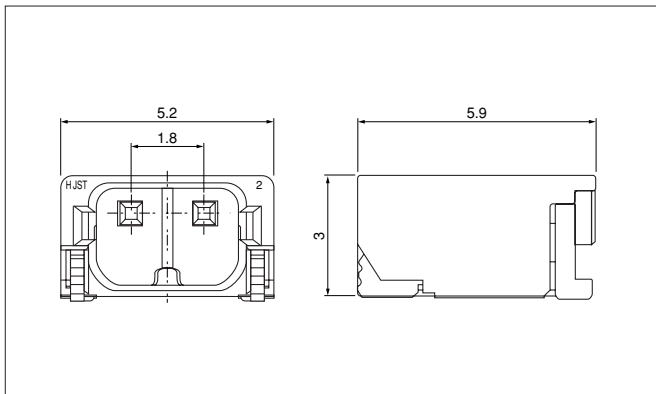
| Material |
|------------------------------|
| Thermoplastic resin, UL94V-0 |

RoHS compliance

<For reference> As the color identification, the following alphabet shall be put in the underlined part. For availability, delivery and minimum order quantity, contact JST.

ex. **SFHR-02V-R**
R...red
L...lemon yellow

Shrouded header



| Circuits | Model No. | Q'ty / reel |
|----------|-----------------------|-------------|
| 2 | SM02B-SFHRS-TF | 2,000 |

| Material and Finish |
|---|
| Press pin: Copper alloy, copper-undercoated, tin-plated (reflow treatment) Wafer: Heat resisting resin, UL94V-0 Solder tab: Copper alloy, copper-undercoated, tin-plated (reflow treatment) |

RoHS compliance This product displays (LF)(SN) on a label.

<For reference> As the color identification, the following alphabet shall be put in the underlined part. For availability, delivery and minimum order quantity, contact JST.

ex. **SM02B-SFHRS-TF**
R...red
L...lemon yellow