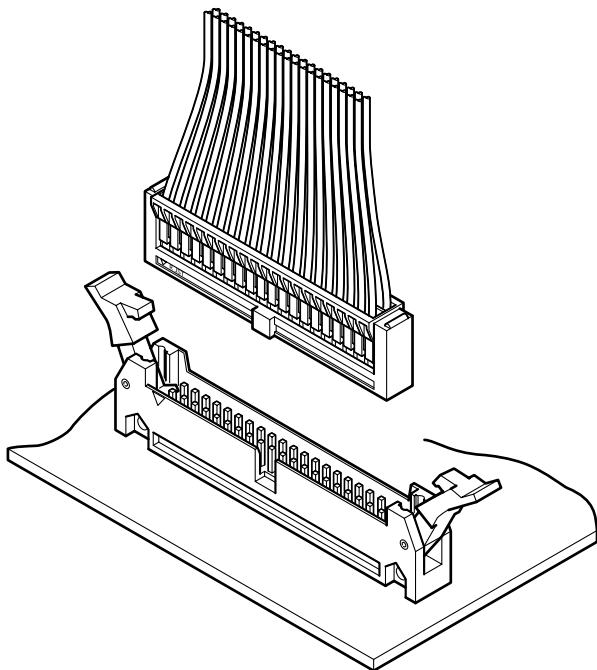


# RA CONNECTOR

Disconnectable Crimp style connectors



**Crimp style receptacles that are designed to mate with headers conforming to MIL-C-83503. The low insertion force contacts reduce surface finish wear and resist stress relaxation very well.**



## Features

### • **Secure locking mechanism (RA, RX headers)**

The locking levers are engaged by inserting the receptacle into the header. This ensures a firm connection that's highly resistant to impact and vibration.

### • **Housing lances**

The contact retention lances on the resilient housing allow visual confirmation of contact lock-in for easy and secure insertion.

### • **Low insertion force contact**

The low insertion force contacts reduce surface finish wear and reduce the effects of stress relaxation.

### • **Anti-misinsertion feature**

The guide devices of both housing and header prevent reverse connector insertion.

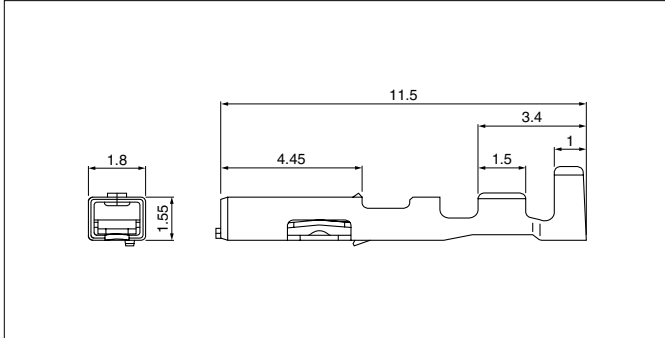
## Specifications

- Current rating: 1.0 A AC, DC (AWG #22)
  - Voltage rating: 300 V AC, DC
  - Temperature range: -55°C to +85°C  
(including temperature rise in applying electrical current)
  - Contact resistance: Initial value/15 mΩ max.  
After environmental tests/ 30 mΩ max.
  - Insulation resistance: 1,000 MΩ min.
  - Withstanding voltage: 1,000 VAC/minute
  - Applicable wire: AWG #26 to #22
  - Applicable PC board thickness: 1.6 mm
- \* Refer to "General Instruction and Notice when using Terminals and Connectors" at the end of this catalog.  
\* Contact JST for details.  
\* Compliant with RoHS.

## Standards

Recognized E60389

## Contact



Model No.	Applicable wire		Insulation O.D. (mm)	Q'ty/ reel
	mm <sup>2</sup>	AWG#		
<b>RA-SC1290</b>	0.13 to 0.33	26 to 22	1.3 to 1.7	8,000

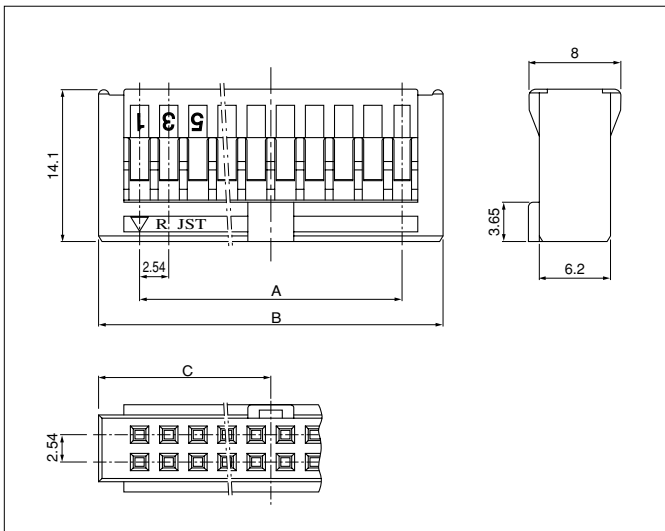
### Material and Finish

Phosphor bronze, tin-plated (reflow treatment)

### RoHS compliance

Note: Contact JST for gold-plated contacts.

## Housing



Circuits	Model No.	Dimensions (mm)			Q'ty/ box
		A	B	C	
10	<b>RA-1011</b>	10.16	17.50	8.75	500
16	<b>RA-1611</b>	17.78	25.12	12.56	500
20	<b>RA-2011</b>	22.86	30.20	15.10	500
26	<b>RA-2611</b>	30.48	37.82	18.91	500
30	<b>RA-3011</b>	35.56	42.90	21.45	200
34	<b>RA-3411</b>	40.64	47.98	23.99	500
40	<b>RA-4011</b>	48.26	55.60	27.80	200
50	<b>RA-5011</b>	60.96	68.30	34.15	200
60	<b>RA-6011</b>	73.66	81.00	40.50	200

### Material

Glass-filled PBT, UL94V-0, black

### RoHS compliance

## Header

The following headers are applicable to the above Housing.

Circuits	RA header		RX header		RK header	
	Top entry type	Side entry type	Top entry type	Side entry type	Top entry type	Side entry type
10	<b>RA-H101TD-1190</b>	<b>RA-H101SD-1190</b>	—	—	—	—
16	<b>RA-H161TD-1190</b>	<b>RA-H161SD-1190</b>	—	—	—	—
20	<b>RA-H201TD-1190</b>	<b>RA-H201SD-1190</b>	<b>RX-H201TD-1190</b>	<b>RX-H201SD-1190</b>	—	—
26	<b>RA-H261TD-1190</b>	<b>RA-H261SD-1190</b>	—	—	—	—
30	<b>RA-H301TD-1190</b>	—	—	—	—	—
34	<b>RA-H341TD-1190</b>	<b>RA-H341SD-1190</b>	<b>RX-H341TD-1190</b>	<b>RX-H341SD-1190</b>	<b>RK-H341TD-0190</b>	<b>RK-H341SD-0190</b>
40	<b>RA-H401TD-1190</b>	<b>RA-H401SD-1190</b>	<b>RX-H401TD-1190</b>	<b>RX-H401SD-1190</b>	<b>RK-H401TD-0190</b>	<b>RK-H401SD-0190</b>
50	<b>RA-H501TD-1190</b>	<b>RA-H501SD-1190</b>	<b>RX-H501TD-1190</b>	<b>RX-H501SD-1190</b>	—	—
60	<b>RA-H601TD-1190</b>	<b>RA-H601SD-1190</b>	<b>RX-H601TD-1190</b>	<b>RX-H601SD-1190</b>	—	—

**RoHS compliance** This product displays (LF)(SN) on a label.

Note: Contact JST for gold-plated headers.

## Crimping machine, Applicator

Contact	Crimping machine	Crimp applicator	Dies	Crimp applicator with dies
<b>RA-SC1290</b>	AP-K2N	MKS-L	MK/RA-SC12	APLMK RA-SC12
		*MKS-SC	*SC/RA-SC12	APLSC RA-SC12

Note: \*Strip-crimp applicator