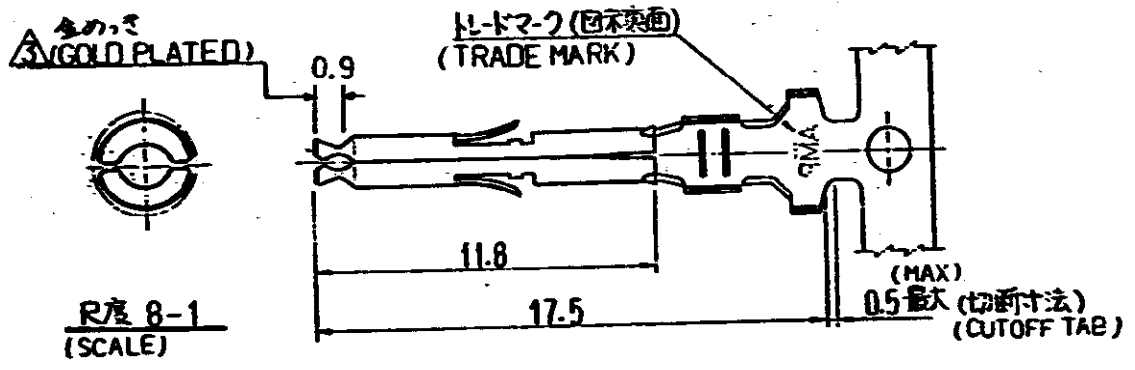
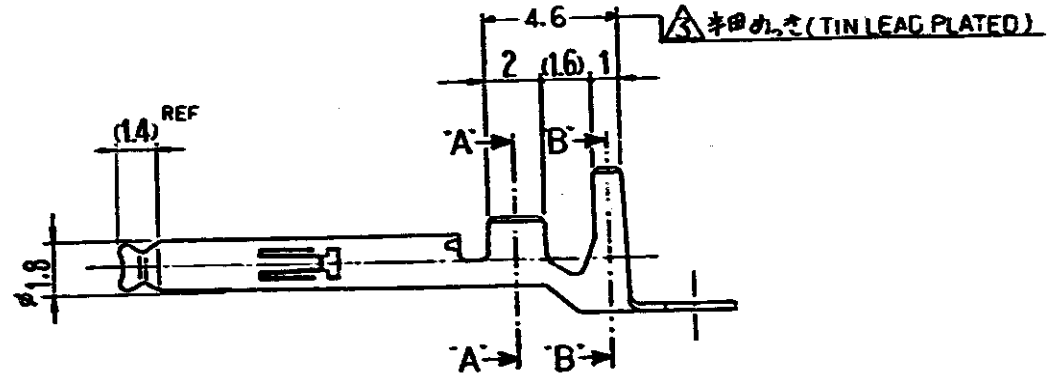


PART NUMBER
C-171637

△ GOLD PLATED 0.76μm^{MIN} ON CONTACT AREA, TIN LEAD PLATED ON BARREL AREA OVER NICKEL PLATED.

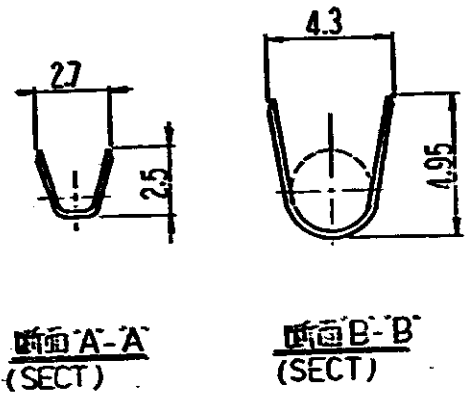


R径 8-1
(SCALE)



注: 1. 通用規格
 製品規格 108-5151, 108-5138.
 取付通用規格 114-5050
 取扱説明書 IS-105J

- △** 2芯着面取電線
 AWG#20 (VSF被覆外形φ2.4)×2
- △** ニッケルめき下地に、金めき(0.76μm最小厚被覆部)
 及びバレル部半田めき



NOTES: 1. PRODUCT SPECIFICATION 108-5151, 108-5153
 APPLICATION SPECIFICATION 114-5050
 INSTRUCTION SHEET IS-105J

△ APPLICABLE WIRE FOR TWO-WIRE CRIMP
 AWG#20 (VSF INSULATION DIAMETER φ2.4)×2

4 OBSOLETE

171639-1		△ 黄銅めき (板厚0.25) GOLD PLATED BRASS (0.25T)	4 171637-3
バラ端子 (LOOSE PIECE)		△ 黄銅めき (板厚0.25) PRE TINNED BRASS (0.25T)	171637-1
		仕上げ 材料	型番 (P/N)
REF. MATERIAL 表参照 (SEE TABLE)		TE TE Connectivity	
FIN. FINISH			
WIRE RANGE △ 05-13 AWG#20-16		CLASS	
INSULATION DIA. 20-32.24×2		TYPE	
C2 REVISED PER ECR-15-006702	NK PQ 29 JUL 2015	REV. C2	
LTR 変更 REVISION RECORD	DR CHK DATE	LOC SEC 番号	
DR	DE	C-171637	
CHK	APP	REV. NAME: SOCKET CONTACT (MINI UNIVERSAL M-N-L)	
		ソケットコンタクト (ミニユニバーサルメテロク確達用形型コネクタ)	

単位: 1E DIMENSIONS IN MM. DO NOT SCALE PRINT

AMP J030
REV. 10-79